

Bocube

Enclosures, ABS, single-coloured



B 080805 ABS 7035

Order no.: 96031115

* = Available on request.

Characteristics

Colour of enclosure group
Light grey, similar to RAL 7035

Colour of enclosure group
Light grey

Protection class
IP 66, 68 - 1,2m (2 hours)

Enclosure Material

ABS or PC UL 94 V0 (material is suitable for outdoor use; f1-listing according to UL 746C)

PU seal, foamed; for details please see Technical Information

Scope of delivery

Lid and base, hinged quick-release catches

Note

Material shrinkage may result in ABS enclosures being approx. 0.1 - 0.25 % larger.

Important!

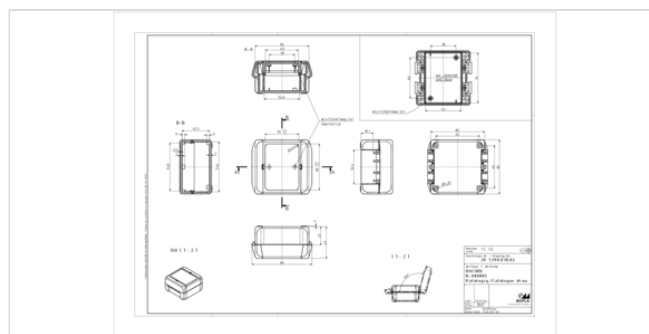
To compensate for pressure when temperatures change and cause moisture in the enclosure, we recommend that you use a pressure compensation element.

» Additional information

Dimensions

Dimensions
89 x 80 x 47 mm

Product drawing



Technical documentation / Downloads

Technical drawings

3D product data in STEP format: Registration necessary
Product drawing in PDF format: 96031115 B-080805-ABS-7035.pdf (159.7 KB)
Product drawing in DXF format: 96031115 B-080805-ABS-7035.dxf (3.5 MB)
Drawing for mechanical processing: 96031115 B-080805-ABS-7035-G.dxf (2.8 MB)

Milling contours are shown here as a DXF file. (Sub D, USB, HDMI, cable glands, ...)

Works Test Certificates

688 WPZ-Bocube-PC-V0 DE.pdf (184.6 KB)
689 WPZ-Bocube-ABS DE.pdf (165.1 KB)
689 WPZ-Bocube-ABS EN.pdf (160.3 KB)
688 WPZ-Bocube-PC-V0 EN.pdf (179.1 KB)

Product information

Bocube GB.pdf (1.9 MB)
Highlights Bocube.pdf (3.8 MB)

Matching accessories



Hinged quick-release catches (Set), polycarbonate UL 94 V0 or ABS

96330100	B SC 08 ABS 3000	For B 0808.., B 1008.., B 1408.., B 1808..	Flame red
96330102	B SC 08 ABS 5002	For B 0808.., B 1008.., B 1408.., B 1808..	Ultramarine blue
96330109	B SC 08 ABS 6029	For B 0808.., B 1008.., B 1408.., B 1808..	Mint green
96330104	B SC 08 ABS 7024	For B 0808.., B 1008.., B 1408.., B 1808..	Graphite grey
96330105	B SC 08 ABS 7035	For B 0808.., B 1008.., B 1408.., B 1808..	Light grey
96330103	B SC 08 ABS 1023	For B 0808.., B 1008.., B 1408.., B 1808..	Traffic yellow



Hand-operated hinged catch (set), polycarbonate UL 94 V0 or ABS

96930109	B SC HB 08 ABS 6029	For B 0808.., B 1008.., B 1408.., B 1808..	Mint green
96930100	B SC HB 08 ABS 3000	For B 0808.., B 1008.., B 1408.., B 1808..	Flame red
96930102	B SC HB 08 ABS 5002	For B 0808.., B 1008.., B 1408.., B 1808..	Ultramarine blue
96930104*	B SC HB 08 ABS 7024	For B 0808.., B 1008.., B 1408.., B 1808..	Graphite grey
96930105*	B SC HB 08 ABS 7035	For B 0808.., B 1008.., B 1408.., B 1808..	Light grey
96930103	B SC HB 08 ABS 1023	For B 0808.., B 1008.., B 1408.., B 1808..	Traffic yellow



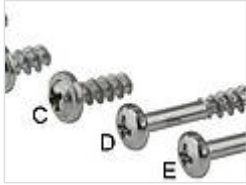
Wall brackets

96510005	B WL 7035	For B 08... - B 26...	Light grey
----------	-----------	-----------------------	------------



Mounting panels, laminated paper, 2 mm

96601100 B M 0808 For B 0808..



Sets of screws

96300000 B SHR D (for optional screwing of enclosures B 0808 - 2617)
96600000 B M-SHR 0808 B (for fixing mounting panels B M 0808)



Blanking plugs to determine the hinge side

96410000 B VS 3000 Flame red
96410005 B VS 7035 Light grey
96410004 B VS 7024 Graphite grey



Pressure compensation membrane DAE

52011000 DAE-D11 Self-adhesive membrane ø 11 mm