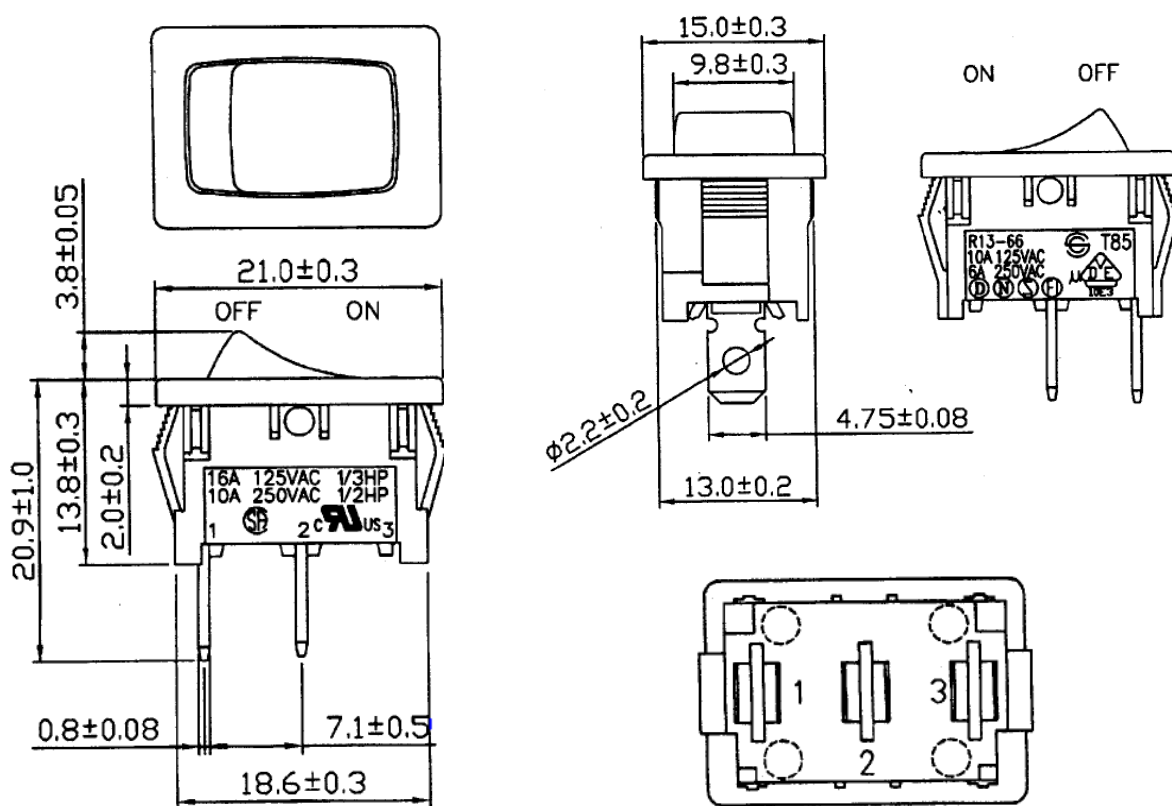


Datasheet

Black SPST Rocker Switch

RS Stock number [419-732](#)

Dimensions: mm



Specifications:

Contact Resistance:	50mΩ
Operating Temperature Max.:	+85°C
Operating Temperature Min.:	-20°C
Mounting Type:	Panel mount
Switch Operation:	On-Off