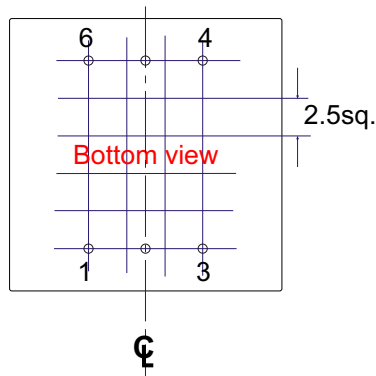
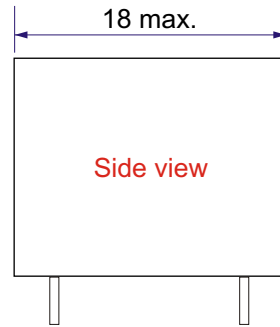
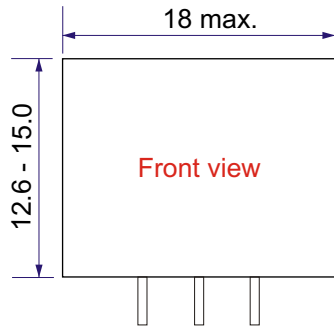
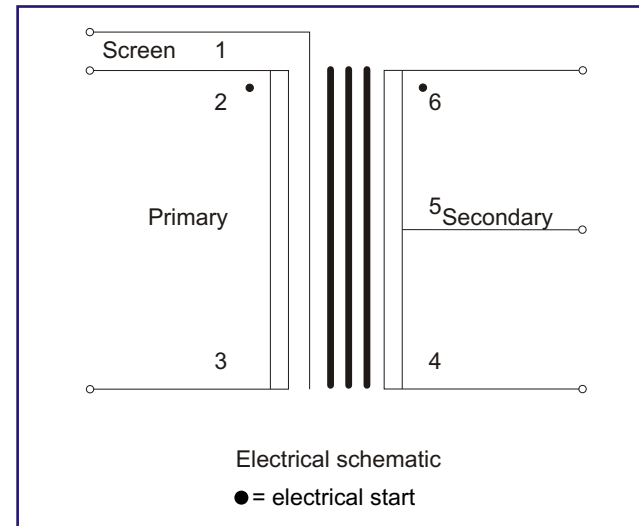


YY WW = date code



Tolerance on all hole positions +/-0.2mm
 Pin diameter = 0.6mm
 Recommended PCB hole size: 1.0mm



Specification:

Primary impedance: 50

Turns ratio: 1 to 1 C.T.

DC resistance (+/-15%)

Primary: 10.3

Secondary: 13.3

Inductance @ 0.10V, 1kHz, series equivalent

Primary: 0.5H minimum

Primary leakage inductance @ 1kHz, 0.10V: 300uH (typical)

Interwinding capacitance @ 20kHz, 0.1V: 16pF (typical)

Hi-pot, primary to secondary: 1kVAC for 2 seconds

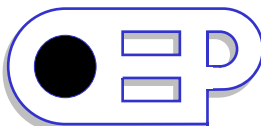
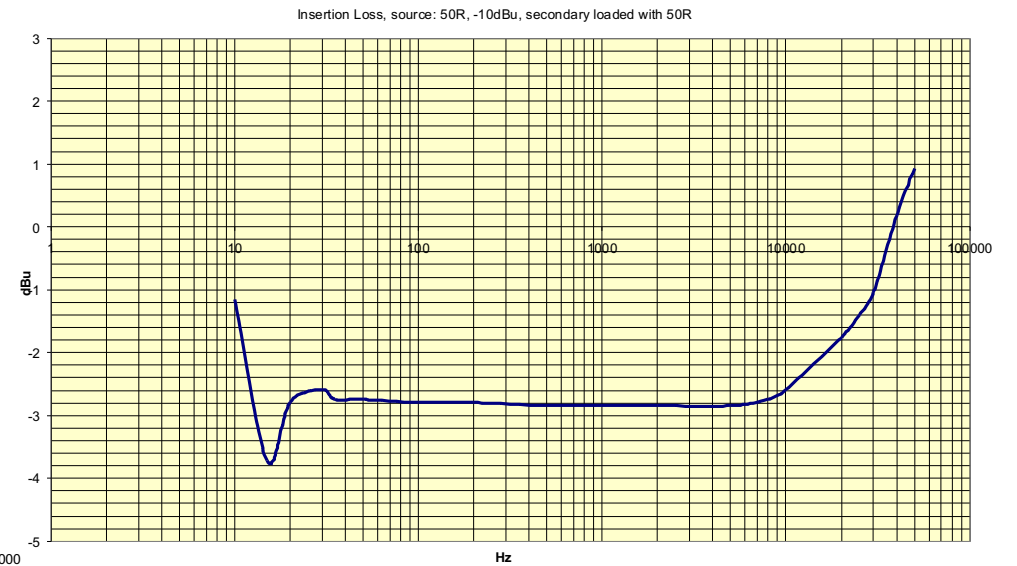
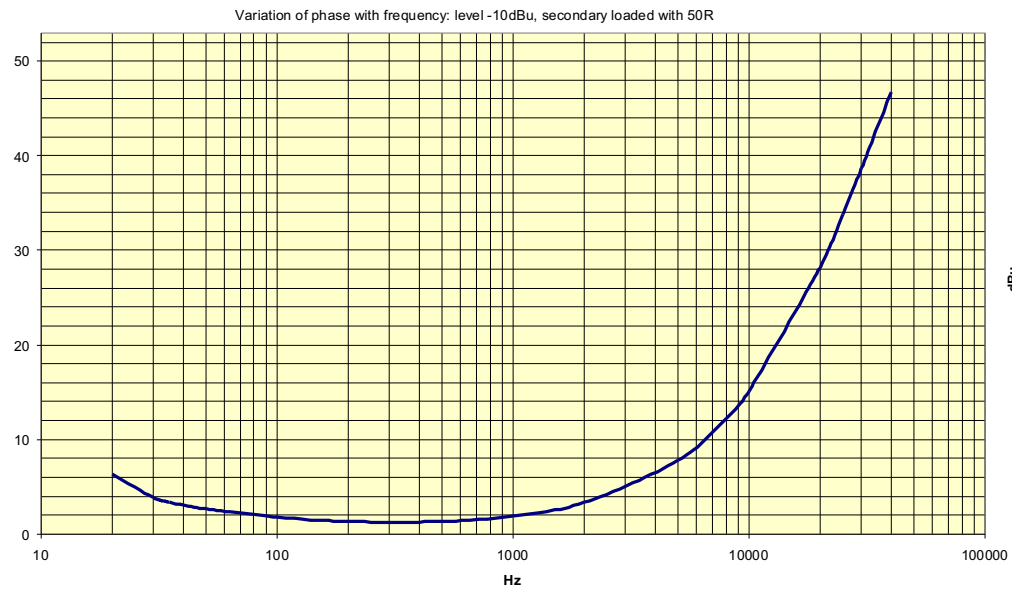
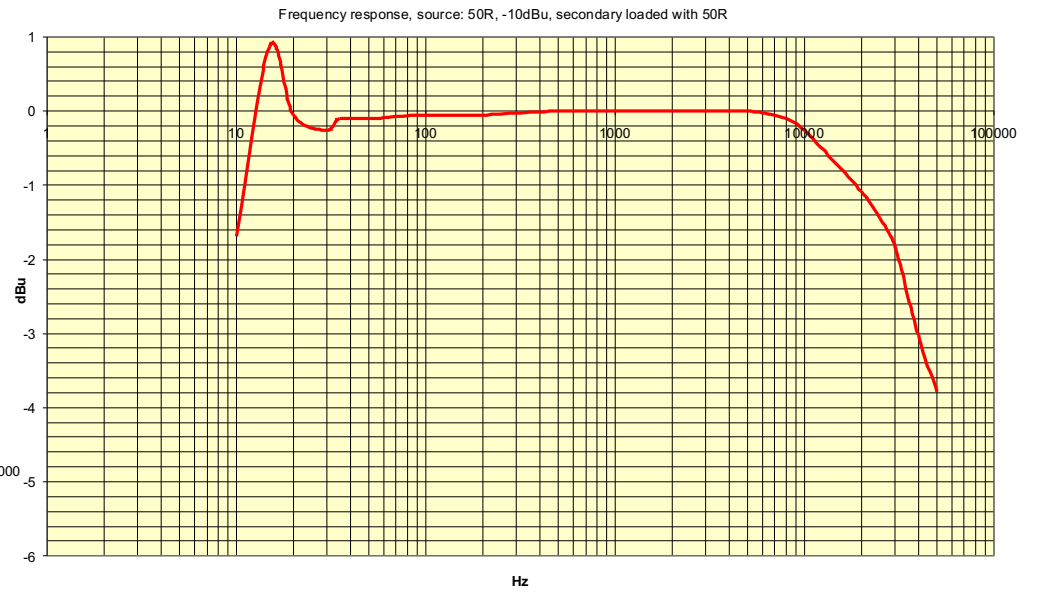
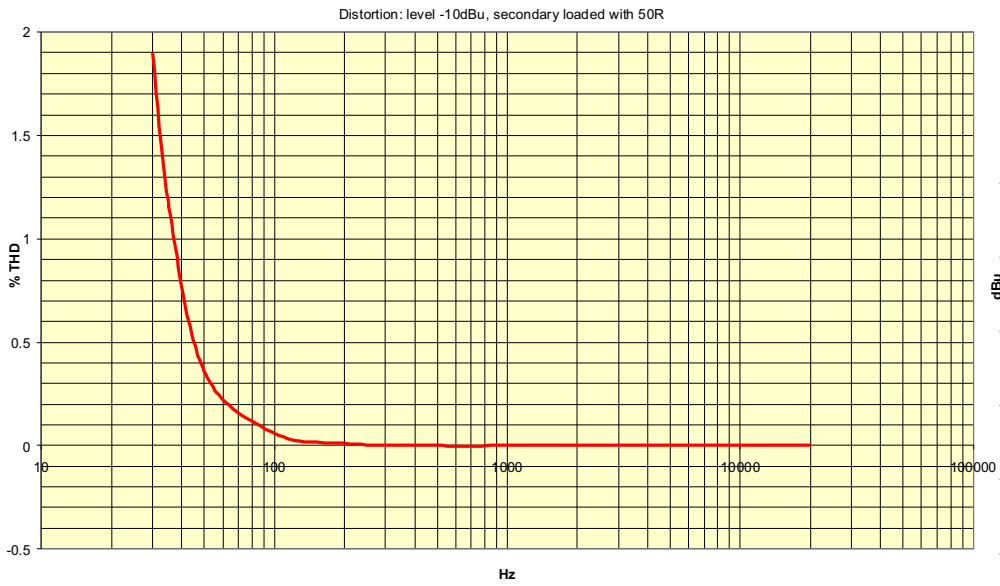
Operating temperature range: -20°C to +75°C

Storage temperature range: -40°C to +125°C



Unit 5, Oxonian Park, Langford Locks,
 Kidlington, Oxfordshire. OX5 1FP
 Tel: (01865) 855085 Fax: (01865) 855075
 Website: www.oep.co.uk

DESCRIPTION	ISSUE	DATE	DRAWN	CHECKED	DRAWING NUMBER
1:1C.T. 50 audio transformer with interwinding screen page 1 of 2	1	11/09/13	CS		Z1670E
Scale: nts					
All dimensions in mm unless stated otherwise					



Unit 5, Oxonian Park, Langford Locks,
Kidlington, Oxfordshire. OX5 1FP
Tel: (01865) 855085 Fax: (01865) 855075
Website: www.oep.co.uk

DESCRIPTION	ISSUE	DATE	DRAWN	CHECKED	DRAWING NUMBER
1:1C.T. 50 audio transformer with interwinding screen page 2 of 2	1	11/09/13	CS		Z1670E
Scale: 2 to 1	All dimensions in mm unless stated otherwise				