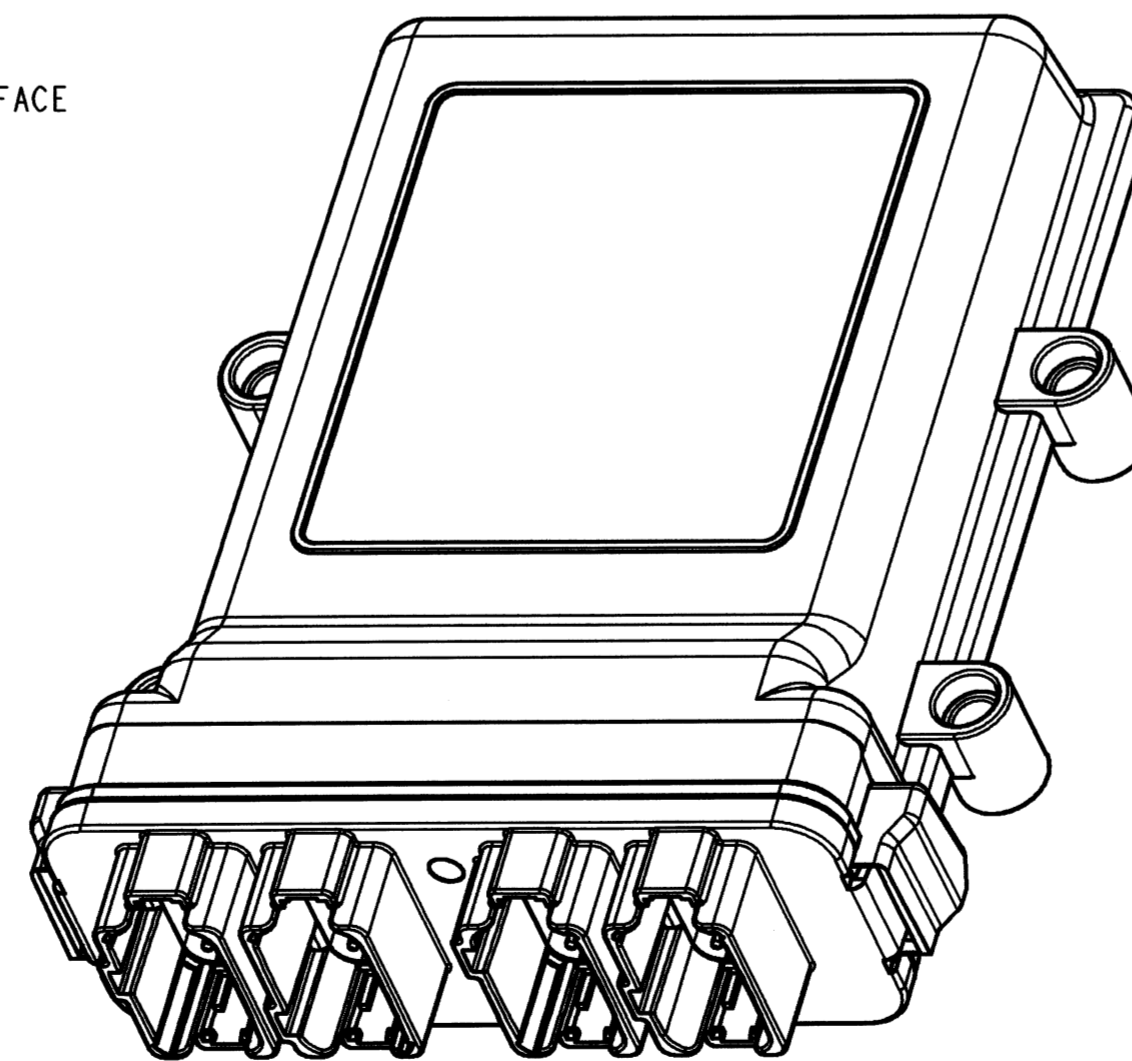
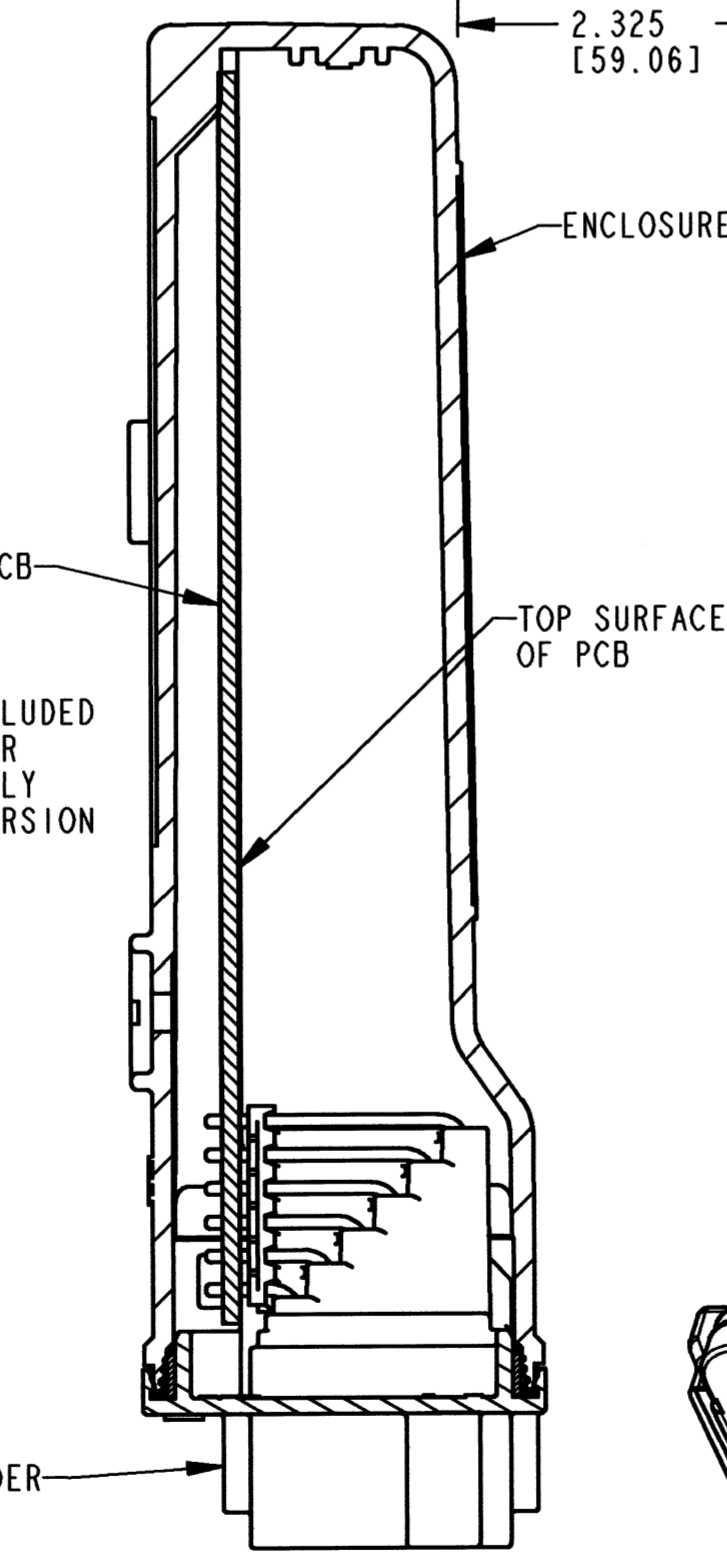
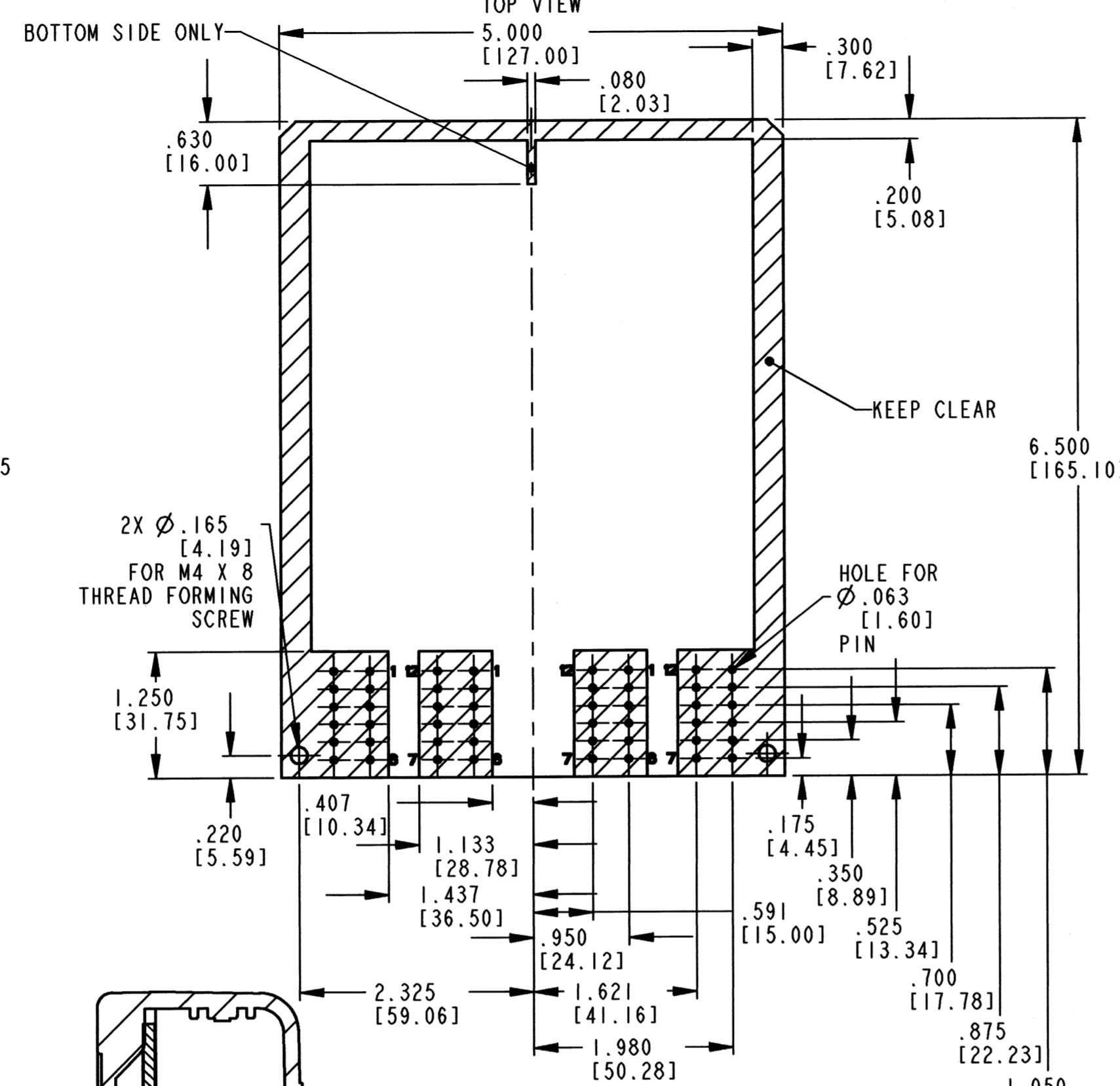
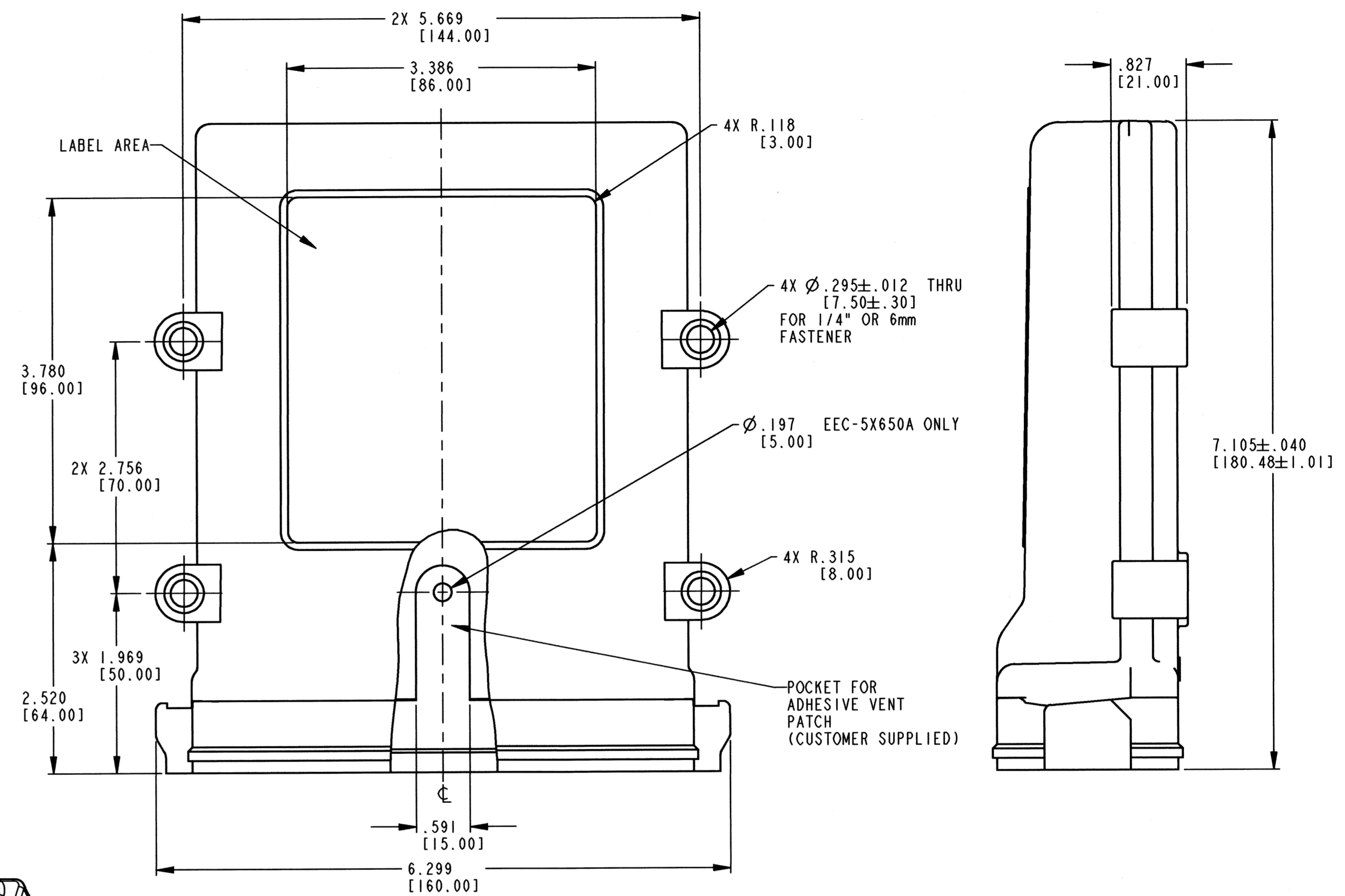


**CIRCUIT BOARD HOLE LOCATIONS
AND KEEP CLEAR AREAS FOR**

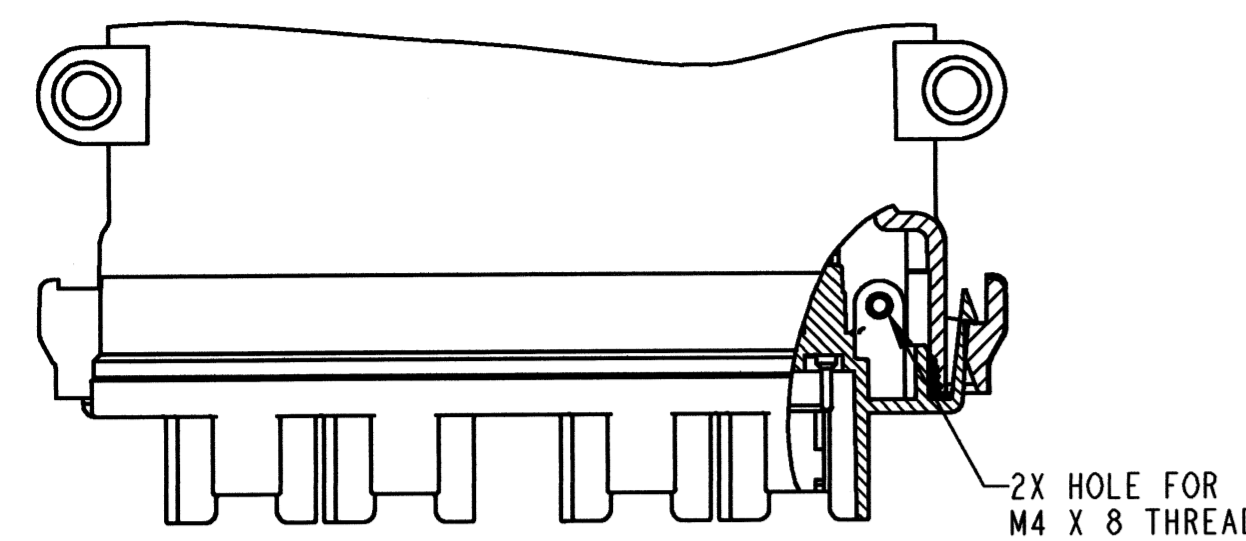
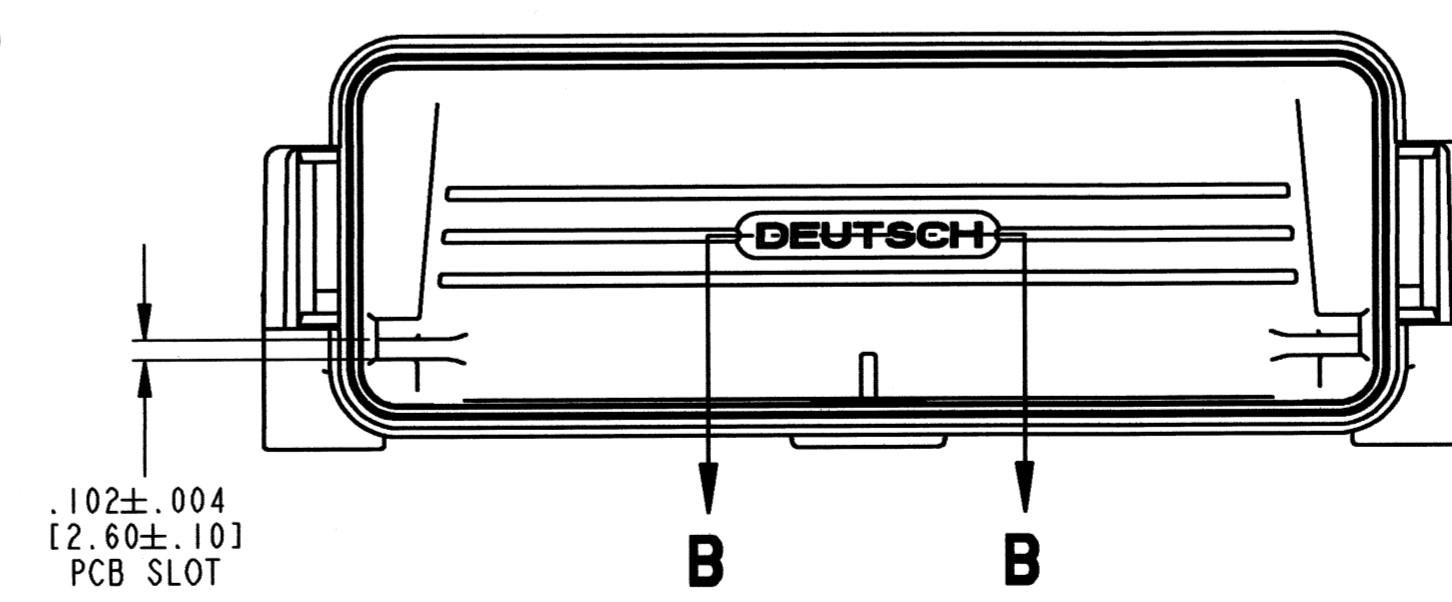
DT13-***P***-R015
BOARD THICKNESS IN KEEP CLEAR AREA TO BE .093±.004.
MAX. COMPONENT HEIGHT OVER BOARD .992[25.20].
MAX. COMPONENT HEIGHT UNDER BOARD .157[4.00].
ALL DIMENSIONS REFERENCE



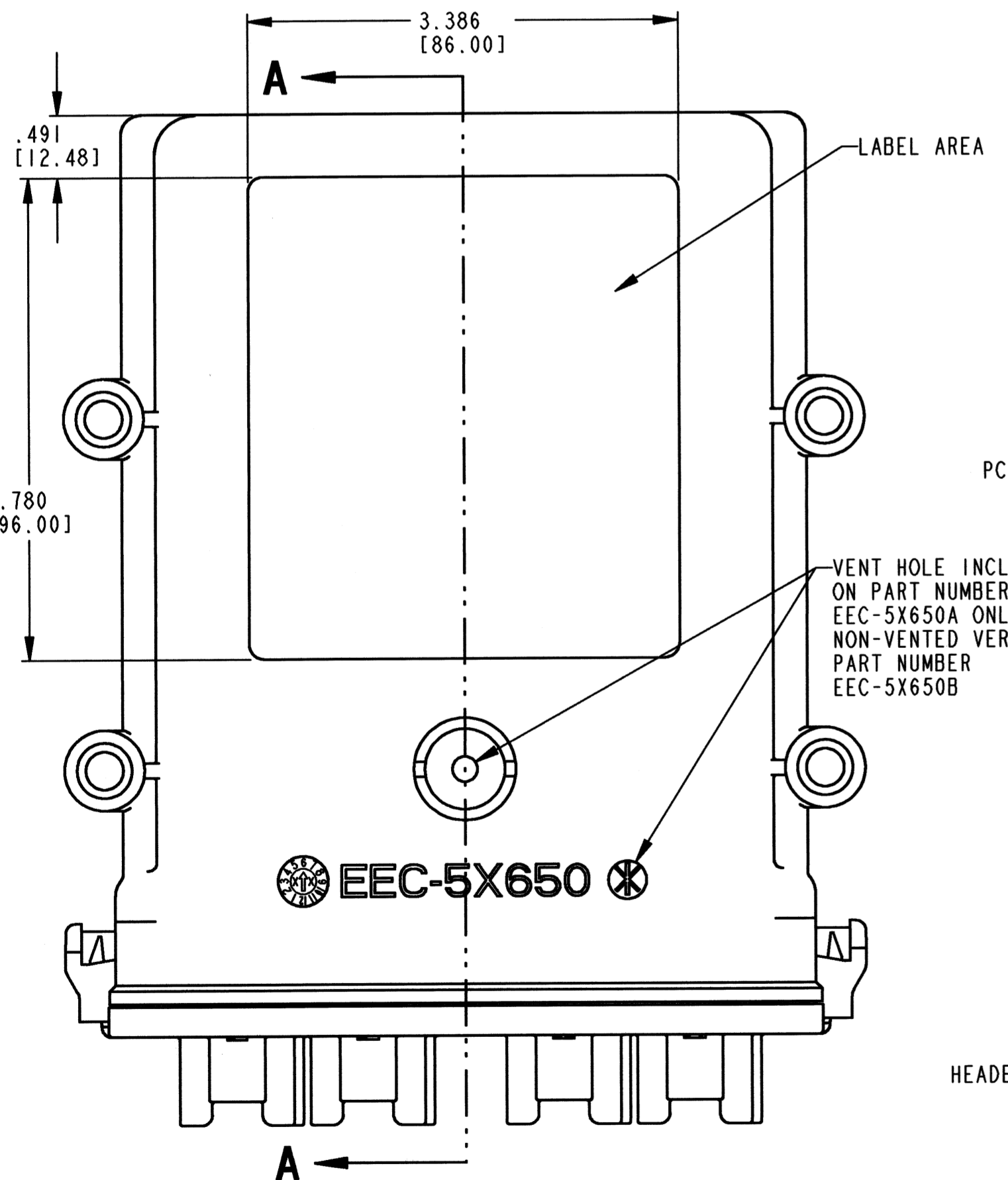
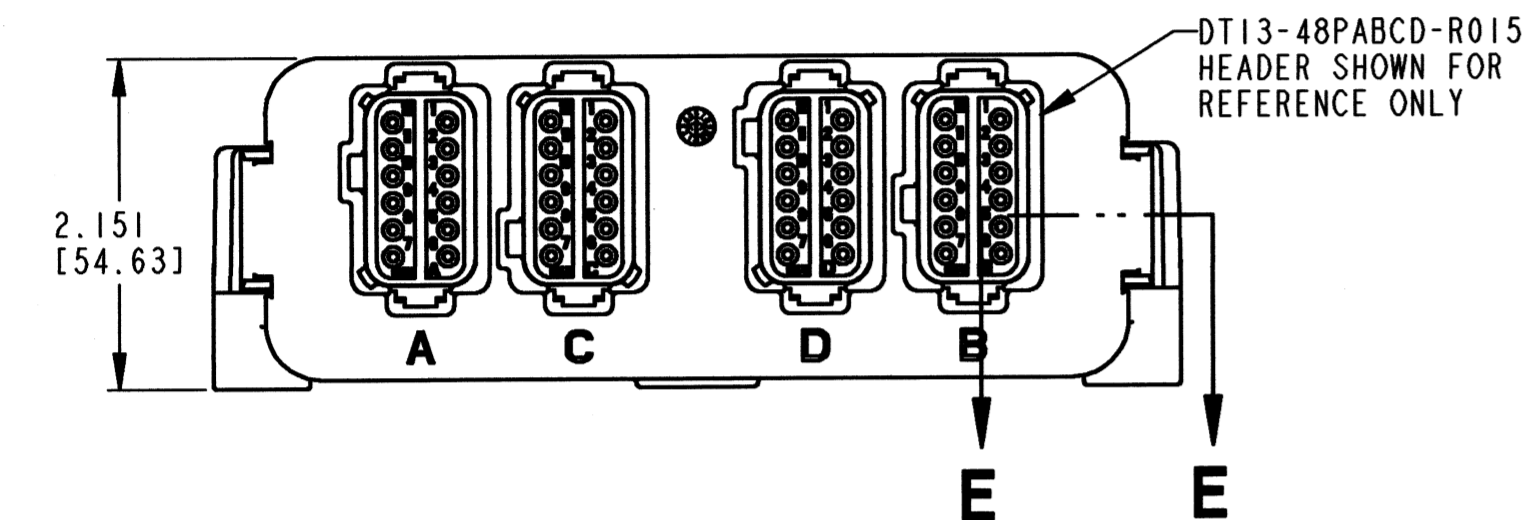
SECTION A-A



SECTION B-B



SECTION E-E



4. THIS ENCLOSURE MATES WITH DT13-***P***-R015 AND -GR02 HEADERS.
(* = PIN ARR. 12,24,36,48; *2 = KEY ARR. A,B,C,D).

3. MATERIAL: NYLON 6/6 BLACK.

2. DIMENSIONS ARE ±.025 [0.64] UNLESS OTHERWISE SPECIFIED.

NOTES: 1. DIMENSIONS ARE IN INCHES [MILLIMETERS].

REV NC		REVISIONS		
SYM	DESCRIPTION	DATE	APPROVED	
NC	NEW RELEASE PER E.O. P20721	12-17-10	RDR	

SIGNATURE & DATE		PCB ENCLOSURE SHOWN WITH 48 PIN HEADER VENTED AND NON-VENTED DT SERIES	EP 208	MAT. CODE
DR	R. MESSENGER 6/11/10		3850 INDUSTRIAL AVE. HEMET, CA 92345	
CHK	[Signature]		DEUTSCH INDUSTRIAL	
PE	[Signature]	EEC-5X650A/B		
APPD	[Signature]	ENVELOPE		
SCALE	NONE	WT	D	
		DWG SIZE		COPY SHEET OF

Mouser Electronics

Authorized Distributor

Click to View Pricing, Inventory, Delivery & Lifecycle Information:

[TE Connectivity:](#)

[EEC-5X650B](#)