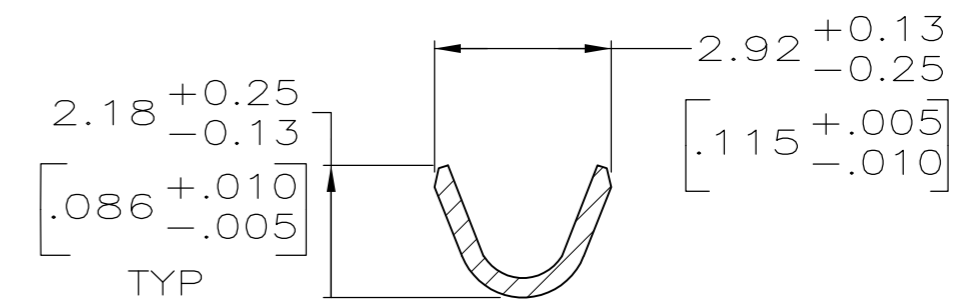
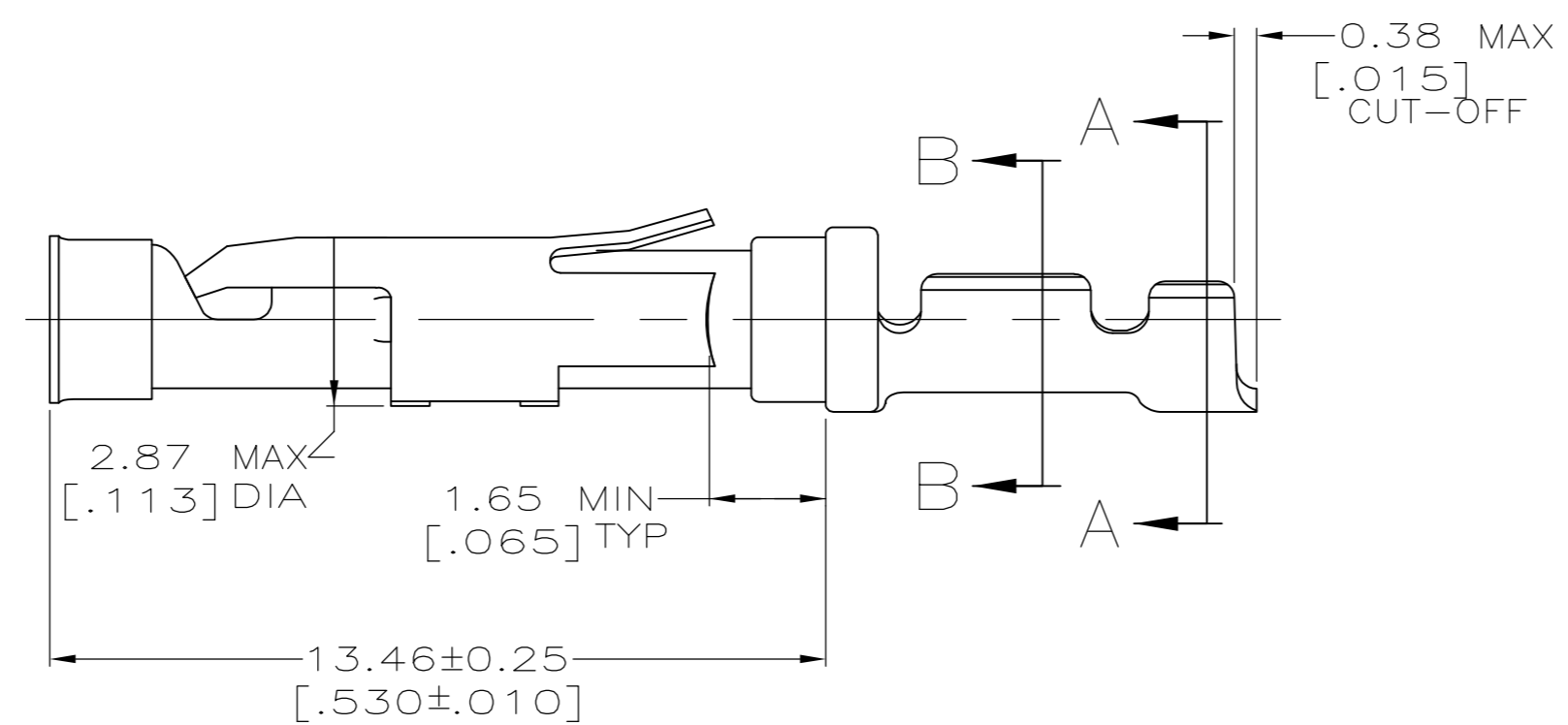
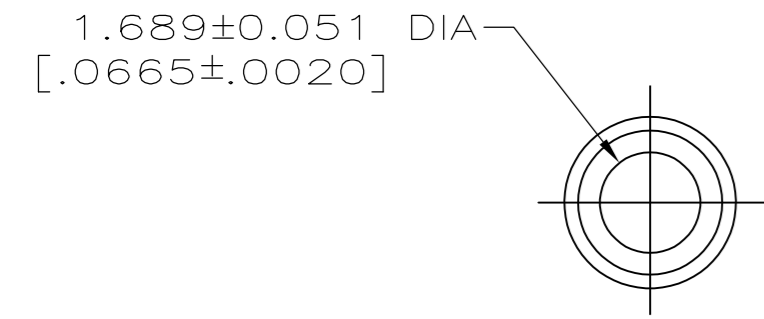
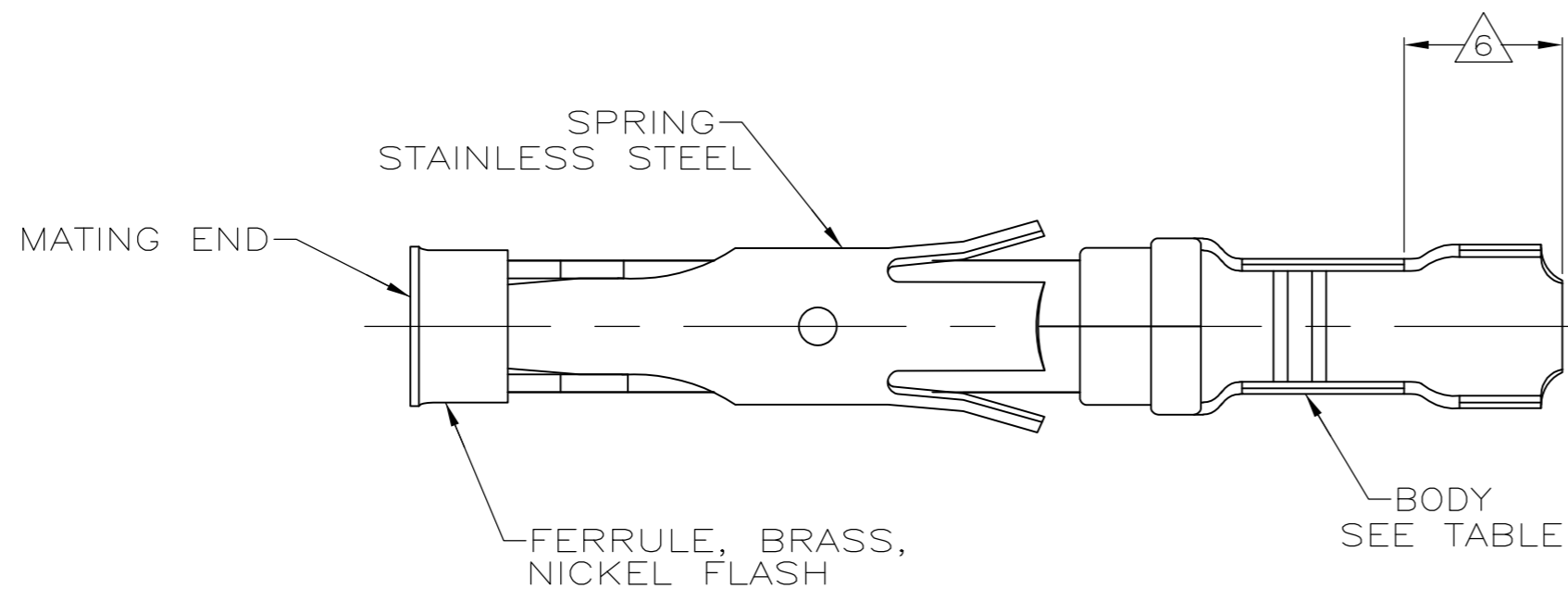
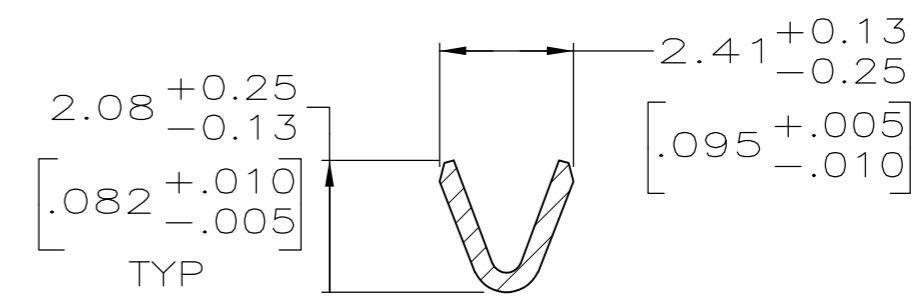


THIS DRAWING IS UNPUBLISHED. RELEASED FOR PUBLICATION
 © COPYRIGHT - By - ALL RIGHTS RESERVED.

LOC		DIST		REVISIONS			
P	LTR	DESCRIPTION		DATE	DWN	APVD	
FT	47	H2	REVISED PER ECO-11-004587		11MAR11	RK	HMR



SECTION A-A



SECTION B-B

- ① 0.76µm [.000030] MIN GOLD PER MIL-G-45204 ON MATING END FOR A LENGTH OF 5.08 [.200] MIN WITH GOLD FLASH ON THE REMAINDER OVER 0.76µm [.000030] MIN NICKEL PER QQ-N-290.
- ② 1.27µm [.000050] MIN TIN-LEAD PER MIL-T-10727 OVER 0.76µm [.000030] MIN NICKEL PER QQ-N-290.
- ③ 0.76µm [.000030] MIN GOLD PER MIL-G-45204 ON MATING END FOR A LENGTH OF 5.08 [.200] MIN WITH A UNIFORM GRADIENT TO 0.25µm [.000010] MIN GOLD PER MIL-G-45204 ON THE REMAINDER OVER 0.76µm [.000030] NICKEL PER QQ-N-290.
- ④ 0.38µm [.000015] MIN GOLD PER MIL-G-45204 ON MATING END FOR A LENGTH OF 5.08 [.200] MIN WITH GOLD FLASH ON THE REMAINDER OVER 0.76µm [.000030] MIN NICKEL PER QQ-N-290.
- ⑤ 1.27µm [.000050] MIN GOLD PER MIL-G-45204 ON MATING END FOR A LENGTH OF 5.08 [.200] MIN WITH GOLD FLASH ON REMAINDER OVER 1.90µm [.000075] MIN NICKEL PER QQ-N-290.
- ⑥ GOLD PLATING NOT REQUIRED IN THIS AREA.
- ⑦ WIRE RANGE 24-20 AWG. INSULATION RANGE 1.02[.040]-2.03[.080].
- ⑧ 0.38µm [.000015] MIN GOLD PER MIL-G-45204 ON MATING END FOR A LENGTH OF 5.08 [.200] MIN, 1.27µm [.000050] MIN TIN-LEAD PER MIL-T-10727 FOR A LENGTH OF 5.69 [.224] MIN ON OPPOSITE END, BOTH OVER 1.27µm [.000050] MIN NICKEL PER QQ-N-290 ON ENTIRE CONTACT.
- ⑨ 1.27µm [.000050] MIN TIN PER MIL-T-10727 OVER 0.76µm [.000030] MIN NICKEL PER QQ-N-290.
- ⑩ OBSOLETE PARTS: OBSOLETE CIS STREAMLINING PER D.RENAUD/D.SINISI

PACKAGING TYPE	BODY FINISH	BODY MATERIAL	STRIP P/N REF	PART NO
SMALL PACK	⑨	BRASS	1-66105-9	2-66105-0
STANDARD	⑨	BRASS	3-66104-0	1-66105-9
SMALL PACK	①	BRASS	66104-4	1-66105-8
SMALL PACK	④	BRASS	66104-3	1-66105-7
SMALL PACK	②	BRASS	66104-2	1-66105-6
SMALL PACK	③	BRASS	66104-1	1-66105-5
OBSOLETE	⑧	BRASS	2-66104-6	1-66105-4
OBSOLETE	①	PHOSPHOR BRONZE	2-66104-3	1-66105-3
OBSOLETE	②	PHOSPHOR BRONZE	2-66104-2	1-66105-2
OBSOLETE	⑤	BRASS	1-66104-6	1-66105-0
STANDARD	①	BRASS	66104-4	66105-4
STANDARD	④	BRASS	66104-3	66105-3
STANDARD	②	BRASS	66104-2	66105-2
STANDARD	③	BRASS	66104-1	66105-1

THIS DRAWING IS A CONTROLLED DOCUMENT.

DWN L.SIPE 06/01/92		NAME	SOCKET ASSEMBLY, LOOSE PIECE, TYPE III+
CHK W.LENKER 6-11-92		SIZE	A2
APVD G.STEINHAUER 7-8-92		CAGE CODE	00779
PRODUCT SPEC		DRAWING NO	C=66105
APPLICATION SPEC	RESTRICTED TO		
MATERIAL SEE CALLOUTS	FINISH SEE CALLOUTS	WEIGHT	SCALE 8:1
CUSTOMER DRAWING		SHEET	1 OF 1
		REV	H2