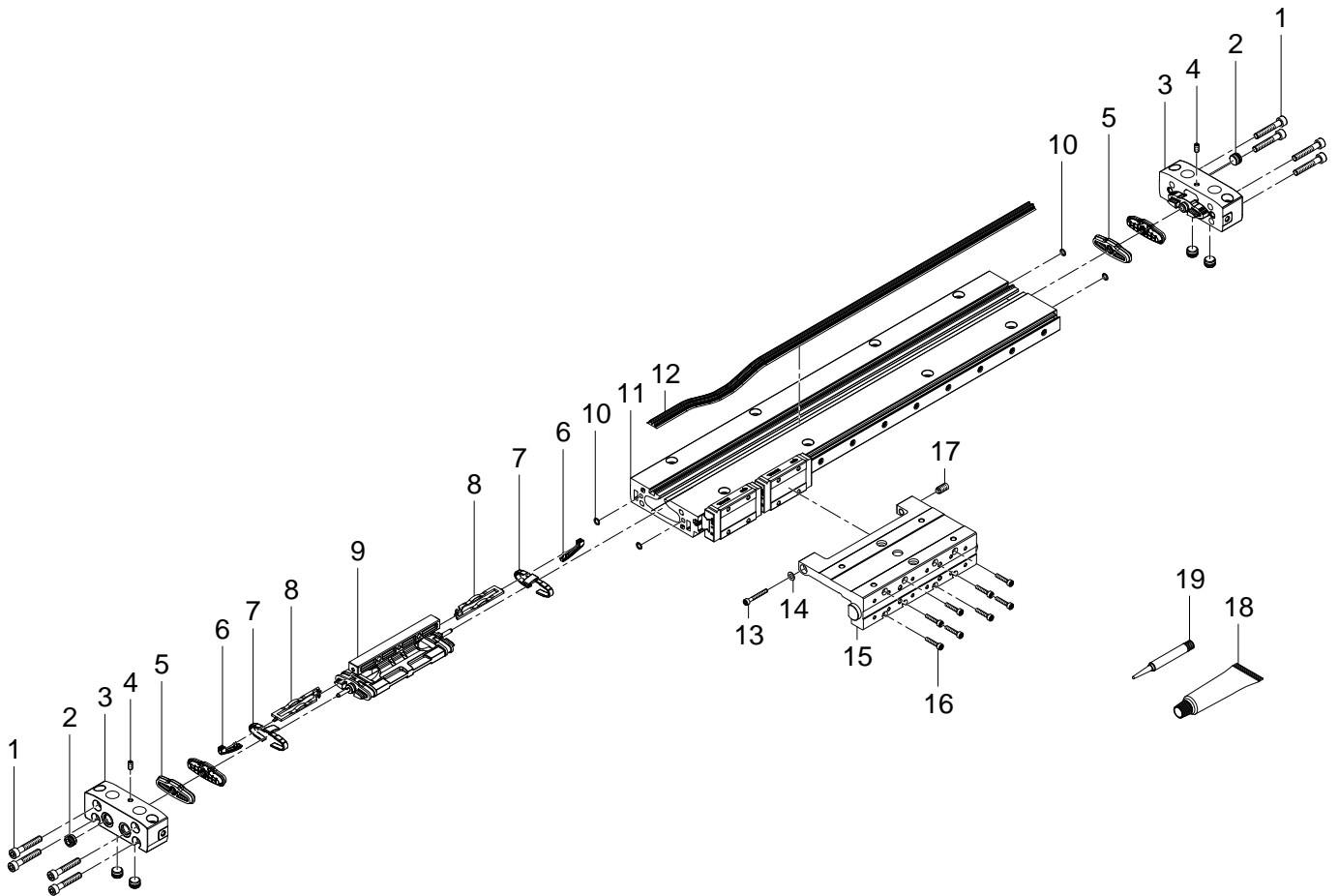


5072370 DLGF-KF-25-100-PPSA Linear drive - Series: All



5072370 DLGF-KF-25-100-PPSA Linear drive - Series: All

Pos.	Part no.	Type	Note	Qty.	Unit
A	8083868	DLGF-25 Set of wearing parts	Spare parts: 5, 6, 7, 10, 18, 19 Repair note: Mounting aid Replacing the wearing parts	1	PC
1	693434	SF-F-I-M5X30-10.9 self-tapping screw	Tightening torque 7 Nm / 5.2 lbf ft Use locking compound. See position 19	8	PC
2		G1/8 Plug screw	Not available Use locking compound. See position 19	6	PC
3		DLGF-25:MA End cap	Not available	1	PC
4		ISO 4026-M4X8-A2-21H Threaded pin	Not available Tightening torque 0.7 Nm / 0.5 lbf ft Use locking compound. See position 19	2	PC
5		DLGF-25 Piston seal	Not available separately, see position A Grease using during assembly. See position 18	4	PC
6		DLGF-25 Guide	Not available separately, see position A Grease using during assembly. See position 18	2	PC
7		DLGF-25 Guiding band	Not available separately, see position A Grease using during assembly. See position 18	2	PC
8		DLGF-25 Cover	Not available	2	PC
9		DLGF-25:MA Piston	Not available	1	PC
10		B-4,5X1-N-NBR70 O-ring ISO3601	Not available separately, see position A Grease using during assembly. See position 18	4	PC
11		DLGF-25-100:MA Cylinder barrel	Not available Grease using during assembly. See position 18	1	PC
12	8083871	DLGF-G/KF-20...40 Sealing band	Grease using during assembly. See position 18 Replacing the toothed belt	1	PC
13		ISO 4762-M3X24-8.8 Socket head screw	Not available Tightening torque 1 Nm / 0.7 lbf ft Use locking compound. See position 19	1	PC
14		ISO 7092-4-200HV Disc	Not available	1	PC
15		DLGF-KF-25 Bridge module	Not available	1	PC
16		ISO 4762-M3X16-10.9 Socket head screw	Not available Tightening torque 1.5 Nm / 1.1 lbf ft Use locking compound. See position 19	8	PC
17		M6X11,5-A2-21H Threaded pin	Not available Tightening torque 3 Nm / 2.2 lbf ft Use locking compound. See position 19	1	PC
18	684474	LUB-KC1 SILIKONFREI 20ML Lubricating grease		1	PC
19	8181256	CYBERBOND TM44 TB1ML Adhesive bonding agent		1	PC