



### Main

Commercial Status	Commercialised
Range of product	Preventa Safety automation
Product or component type	Preventa safety module
Safety module name	XPSDMB
Safety module application	Monitoring 2 coded magnetic switches
Function of module	Coded magnetic switch monitoring
Safety level	Can reach SILCL 3 conforming to EN/IEC 62061 Can reach PL e/category 4 conforming to EN/ISO 13849-1
Safety reliability data	PFHd = 3.92E-9 1/h conforming to EN/IEC 62061 DC > 99 % conforming to EN/ISO 13849-1 MTTFd = 83.1 years conforming to EN/ISO 13849-1
[Us] rated supply voltage	24 V DC (- 20...20 %)
Output type	Relay 2 NO, volt-free
Number of additional circuits	2 solid state outputs

### Complementary

Synchronisation time between inputs	< 0.5 s
Power consumption	<= 2.5 W
Input protection type	Internal, electronic
Control circuit voltage	28 V DC
Line resistance	100 Ohm
Breaking capacity	C300 : inrush 1800 VA AC-15 for relay output C300 : holding 180 VA AC-15 for relay output
Breaking capacity	1.5 A / 24 V - L/R = 50 ms, DC-13 for relay output
Output thermal current	6 A per relay for relay output
[Ith] conventional free air thermal current	<= 12 A
Associated fuse rating	6 A fast blow for relay output conforming to EN/IEC 60947-5-1, DIN VDE 0660 part 200 4 A gG for relay output conforming to EN/IEC 60947-5-1, DIN VDE 0660 part 200
Minimum output current	10 mA for relay output
Minimum output voltage	17 V for relay output
Response time on input open	<= 20 ms
[Ui] rated insulation voltage	300 V, degree of pollution 2 conforming to DIN VDE 0110 part 1 300 V, degree of pollution 2 conforming to IEC 60947-5-1
[Uimp] rated impulse withstand voltage	4 kV overvoltage category III, conforming to DIN VDE 0110 part 1 4 kV overvoltage category III, conforming to IEC 60947-5-1
Local signalling	3 LEDs

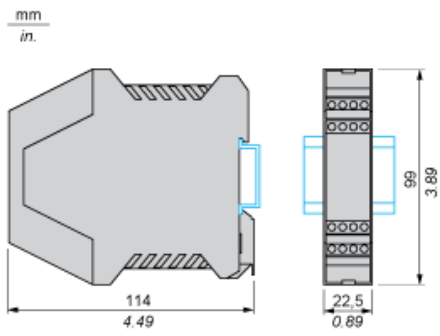
The information provided in this documentation contains general descriptions and/or technical characteristics of the performance of the products contained herein. This documentation is not intended as a substitute for and is not to be used for determining suitability or reliability of these products for specific user applications. It is the duty of any such user or integrator to perform the appropriate and complete risk analysis, evaluation and testing of the products with respect to the relevant specific application or use thereof. Neither Schneider Electric Industries SAS nor any of its affiliates or subsidiaries shall be responsible or liable for misuse of the information contained herein.

Connections - terminals	<p>Captive screw clamp terminals, clamping capacity: 2 x 0.5...2 x 1.5 mm<sup>2</sup> flexible cable with cable end, with double bezel</p> <p>Captive screw clamp terminals, clamping capacity: 2 x 0.25...2 x 1 mm<sup>2</sup> flexible cable with cable end, without bezel</p> <p>Captive screw clamp terminals, clamping capacity: 2 x 0.14...2 x 0.75 mm<sup>2</sup> solid cable without cable end</p> <p>Captive screw clamp terminals, clamping capacity: 2 x 0.14...2 x 0.75 mm<sup>2</sup> flexible cable without cable end</p> <p>Captive screw clamp terminals, clamping capacity: 1 x 0.25...1 x 2.5 mm<sup>2</sup> flexible cable with cable end, without bezel</p> <p>Captive screw clamp terminals, clamping capacity: 1 x 0.25...1 x 1.5 mm<sup>2</sup> flexible cable with cable end, with bezel</p> <p>Captive screw clamp terminals, clamping capacity: 1 x 0.14...1 x 2.5 mm<sup>2</sup> solid cable without cable end</p> <p>Captive screw clamp terminals, clamping capacity: 1 x 0.14...1 x 2.5 mm<sup>2</sup> flexible cable without cable end</p>
Current consumption	8 mA / 28 V DC on power supply
Mounting support	35 mm symmetrical DIN rail
Product weight	0.25 kg

## Environment

Standards	<p>EN 1088/ISO 14119</p> <p>EN/IEC 60204-1</p> <p>EN/IEC 60947-5-1</p>
Product certifications	<p>CSA</p> <p>TÜV</p> <p>UL</p>
IP degree of protection	<p>IP40(Enclosure) conforming to EN/IEC 60529</p> <p>IP20(Terminals) conforming to EN/IEC 60529</p>
Ambient air temperature for operation	-10...55 °C
Ambient air temperature for storage	-25...85 °C

Dimensions



Wiring Diagrams

Refer to the Instruction Sheet

To download the instruction sheet, follow below procedure:

**XPSAC5121**  
module XPSAC - Emergency stop - 24 V AC DC  
[Download XPSAC5121 product datasheet](#)

Download & Documents 1 to 3 of 3 (Total: -1)

**Instruction sheet**

XPSAC... Safety module for emergency stop and switch monitoring	English 2012-07-04	pdf (28)
---	--------------------	----------

**Image of product**

Emergency stop and switch monitoring	2010-11-10	{Select : }
--------------------------------------	------------	-------------

**Certificate**

Russian certificate	English 2010-07-07	pdf (60)
---------------------	--------------------	----------

1

2

- 1 Click on Download & Documents.
- 2 Click on Instruction sheet.