



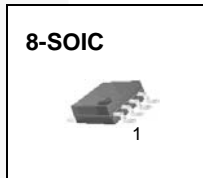
# LP2951 Adjustable Micro-Power Voltage Regulator

## Features

- Adjustable or Fixed 5 V Output Voltage
- Low Quiescent Current
- Low Dropout Voltage
- Low Temperature Coefficient
- Tight Line and Load Regulation
- Guaranteed 100 mA Output Current
- Internal Short Current and Thermal Limit
- Error Signals of Output Dropout
- External Shut Down

## Description

The LP2951 is an adjustable micro-power voltage regulator suitable for battery-powered systems. This regulator has various functions such as alarm that warns of a low output voltage often due to falling batteries on the input, the external shutdown enables the regulator to be switched on and off, current and temperature limiting.



## Applications

- Automotive Electronics
- Voltage Reference

## Ordering Information

Part Number	Operating Temperature Range	Top Mark	Package	Packing Method
LP2951CM	-40°C to +125°C	LP2951CM	SOIC 8L	Rail
LP2951CMX	-40°C to +125°C	LP2951CM	SOIC 8L	Tape and Reel

## Block Diagram

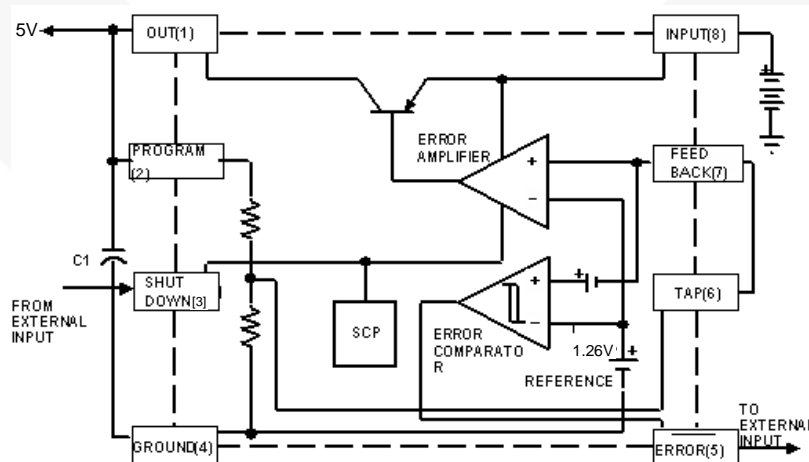


Figure 1. Block Diagram

## Absolute Maximum Ratings

Stresses exceeding the absolute maximum ratings may damage the device. The device may not function or be operable above the recommended operating conditions and stressing the parts to these levels is not recommended. In addition, extended exposure to stresses above the recommended operating conditions may affect device reliability. The absolute maximum ratings are stress ratings only. Values are at  $T_A = 25^\circ\text{C}$  unless otherwise noted.

Symbol	Parameter	Value	Unit
$V_{IN}$	Input Supply Voltage	-0.3 to 30.0	V
$P_D$	Power Dissipation	Internally Limited	W
$R_{\theta JA}$	Thermal Resistance Junction-to-Air	127.5	$^\circ\text{C}/\text{W}$
$T_{STG}$	Storage Temperature Range	-65 to 150	$^\circ\text{C}$
$T_{OPR}$	Operating Junction Temperature Range	-40 to 125	$^\circ\text{C}$

## Electrical Characteristics

FEEDBACK (Pin 7) tied to TAP (Pin 6),  $V_{OUT}$  (Pin 1) tied to PROGRAM (Pin 2). Values are at  $T_A = 25^\circ\text{C}$ , unless otherwise specified.

Symbol	Parameter	Conditions	Min.	Typ.	Max.	Unit
$V_{OUT}$	Fixed Output Voltage	$I_L = 50\text{ mA}$	4.9	5.0	5.1	V
<b>ALL VOLTAGE OPTIONS</b>						
$\Delta V/\Delta T$	Output Voltage Temperature Coefficient <sup>(1)</sup>			50		ppm/ $^\circ\text{C}$
$\Delta V$	Line Regulation <sup>(2)</sup>	$(V_O + 1)\text{ V} \leq V_{IN} \leq 28\text{ V}$ , $I_L = 50\text{ mA}$			0.4	%
$\Delta V$	Load Regulation <sup>(2)</sup>	$100\text{ }\mu\text{A} \leq I_L \leq 100\text{ mA}$			0.3	%
$V_D$	Dropout Voltage	$I_L = 100\text{ }\mu\text{A}$			150	mV
		$I_L = 100\text{ mA}$			600	
$I_G$	Ground Current	$I_L = 100\text{ }\mu\text{A}$			140	$\mu\text{A}$
		$I_L = 100\text{ mA}$			7	mA
$I_{CL}$	Current Limit	$V_O = 0\text{ V}$	110	165	220	mA
$V_{REF}$	Reference Voltage	$V_{IN} = (V_O + 1)\text{ V}$ , $I_L = 100\text{ }\mu\text{A}$	1.235	1.260	1.285	V
		<sup>(3)</sup>	1.225	1.260	1.295	
$I_{FB}$	Feedback Bias Current			20		nA
<b>ERROR COMPARATOR</b>						
$V_{OL}$	Output Low Voltage	$V_{IN} = (V_O - 0.5)\text{ V}$ , $I_{OL} = 400\text{ }\mu\text{A}$		150	400	mV
$V_{TH}$	High Threshold Voltage <sup>(4)</sup>		25	60		mV
$V_{TL}$	Low Threshold Voltage <sup>(4)</sup>			75	140	mV
$V_{HYS}$	Hysteresis <sup>(4)</sup>			15		mV
<b>SHUTDOWN INPUT</b>						
$V_{SD}$	Shutdown Threshold Range	<sup>(5)</sup>	0.6	1.3	2.0	V
$I_{SD}$	Shutdown Input Current	$V_{SD} = 2.4\text{ V}$		30	100	$\mu\text{A}$
		$V_{SD} = 28\text{ V}$		450	750	

### Notes:

- Output or reference voltage temperature coefficient is defined as the worst-case voltage change divided by the total temperature range.
- Regulation is measured at constant junction temperature, using pulse testing with a low duty cycle.
- $V_{REF} \leq V_{OUT} \leq (V_{IN} - 1\text{ V})$ ,  $2.5\text{ V} \leq V_{IN} \leq 28\text{ V}$ ,  $100\text{ }\mu\text{A} \leq I_L \leq 100\text{ mA}$ ,  $T_A \leq T_{AMAX}$ .
- Threshold and hysteresis are expressed in terms of voltage differential at the feedback terminal below the normal reference. To express these thresholds in terms of output voltage change, multiply by the error amplifier gain  
 $= V_O / V_{REF} = (R1 + R2) / R2$ .
- $V_{shutdown} \leq 0.6\text{ V}$ ,  $V_{OUT} = \text{ON}$ ,  $V_{shutdown} \geq 2.0\text{ V}$ ,  $V_{OUT} = \text{OFF}$ .

## Typical Performance Characteristics

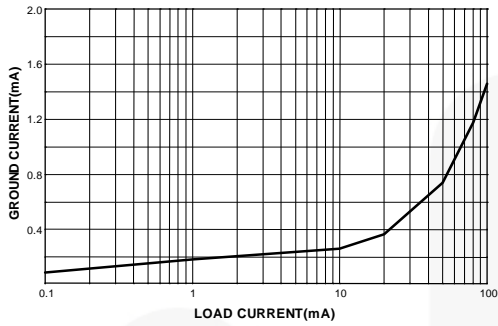


Figure 2. Quiescent Current

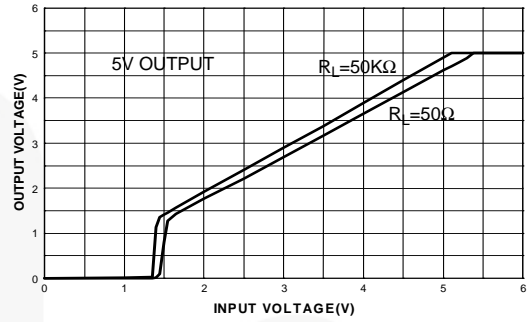


Figure 3. Dropout Characteristics

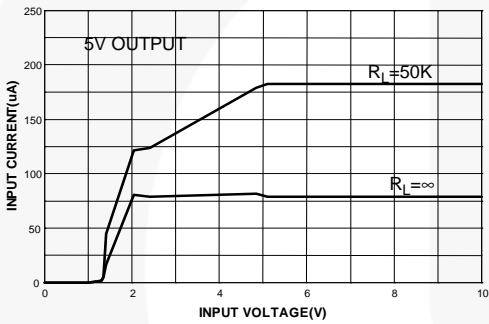


Figure 4. Input Current

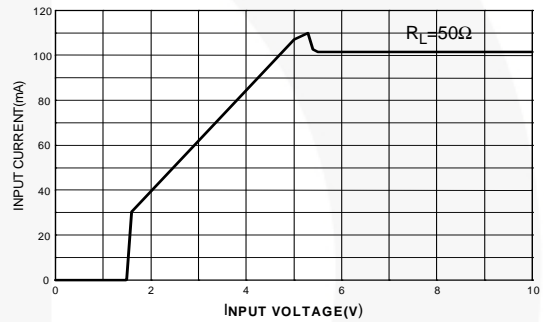


Figure 5. Input Current

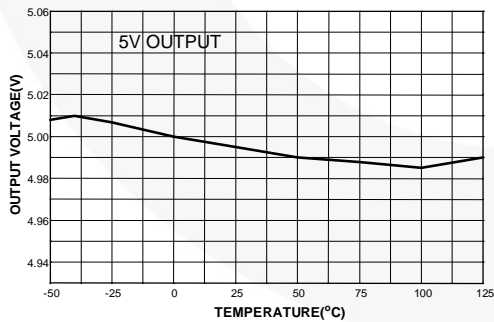


Figure 6. Output Voltage vs. Temperature

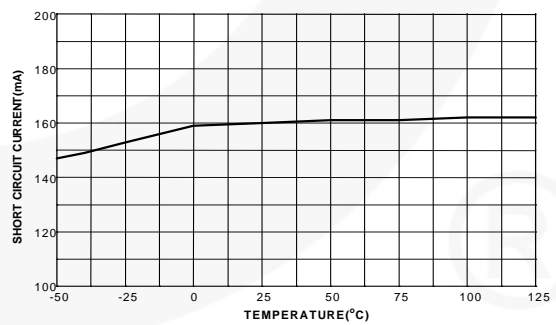


Figure 7. Short-Circuit Current

Typical Performance Characteristics (Continued)

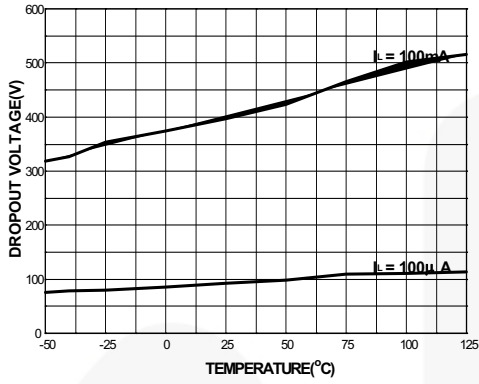


Figure 8. Drop-out Voltage

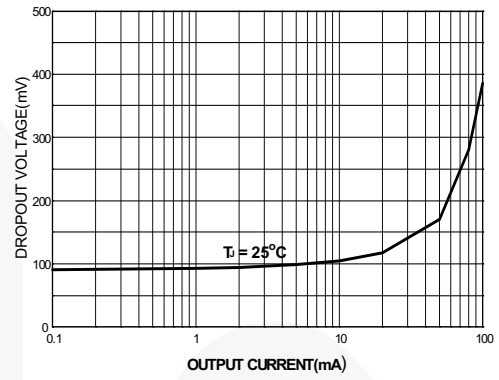
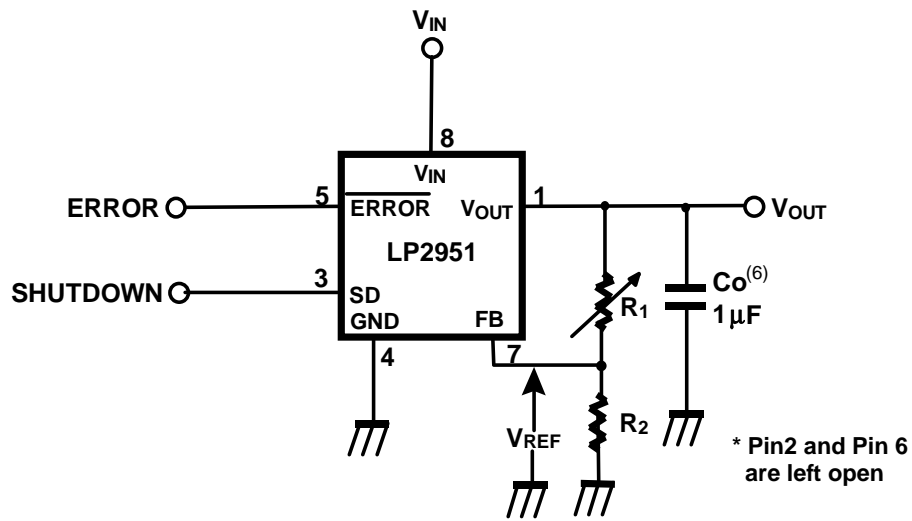


Figure 9. Drop-out Voltage

Typical Application



$$V_O = V_{REF} (1 + R_1 / R_2) + I_{FB} R_1$$

Figure 10. Adjustable Regulator

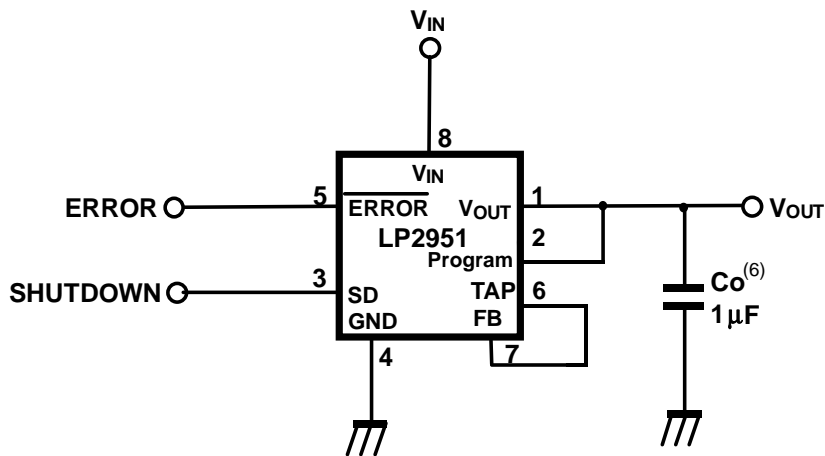
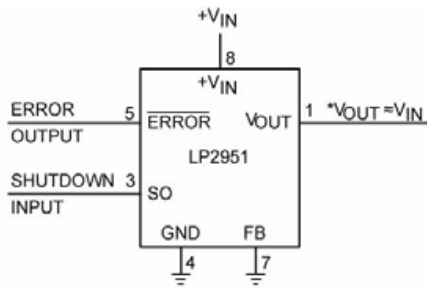


Figure 11. Fixed Output 5 V

Note:

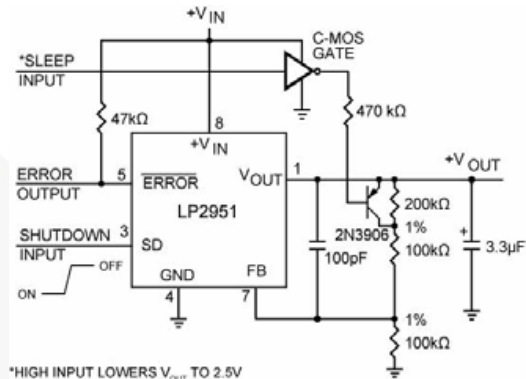
6.  $C_O$  is required between the output and ground for stability at output voltages of 5 V or more. Since  $I_{FB}$  is controlled to less than 40 nA, the error associated with this term is negligible in most applications. At lower output voltage, more capacitance is required. without this capacitance the part oscillates.

**Typical Application (Continued)**



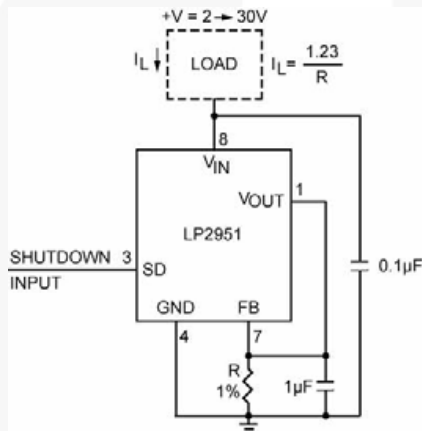
\*MINIMUM INPUT-OUTPUT VOLTAGE RANGES FROM 40mV TO 400mV, DEPENDING ON LOAD CURRENT. CURRENT LIMIT IS TYPICALLY 160mA.

**Figure 12. Wide Input Voltage Range Current Limiter**

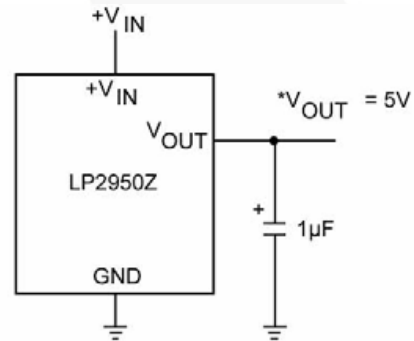


\*HIGH INPUT LOWERS  $V_{OUT}$  TO 2.5V

**Figure 13. 5 V Regulator with 2.5 V Sleep Function**

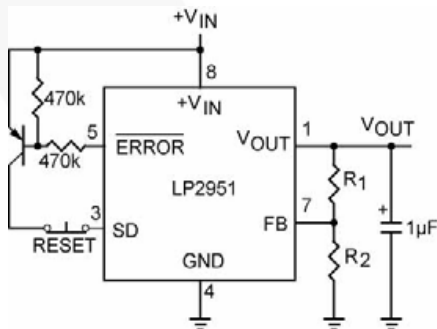


**Figure 14. Low Drift Current Source**

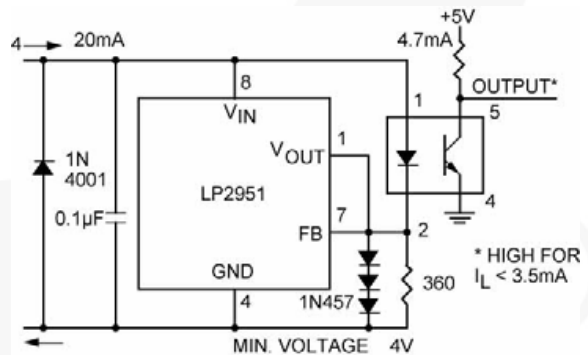


\* MINIMUM INPUT-OUTPUT VOLTAGE RANGES FROM 40mV TO 400mV, DEPENDING ON LOAD CURRENT.

**Figure 15. 5 V Current Limiter**



**Figure 16. Latch Off When Error Flag Occurs**



**Figure 17. Open Circuit Detector for 4 mA to 20 mA Current Loop**

Typical Application (Continued)

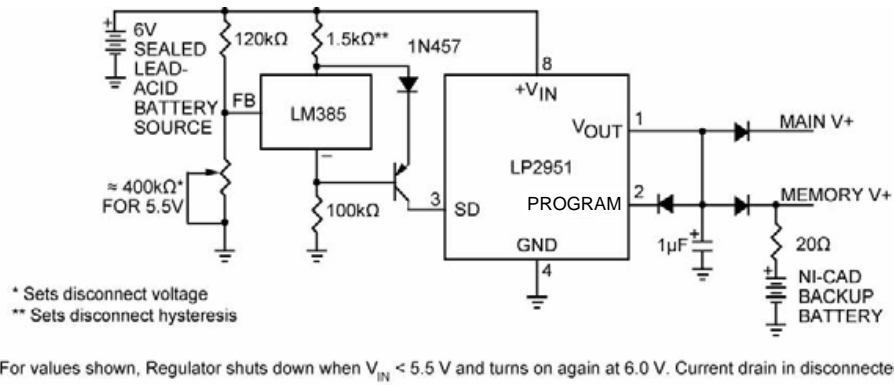
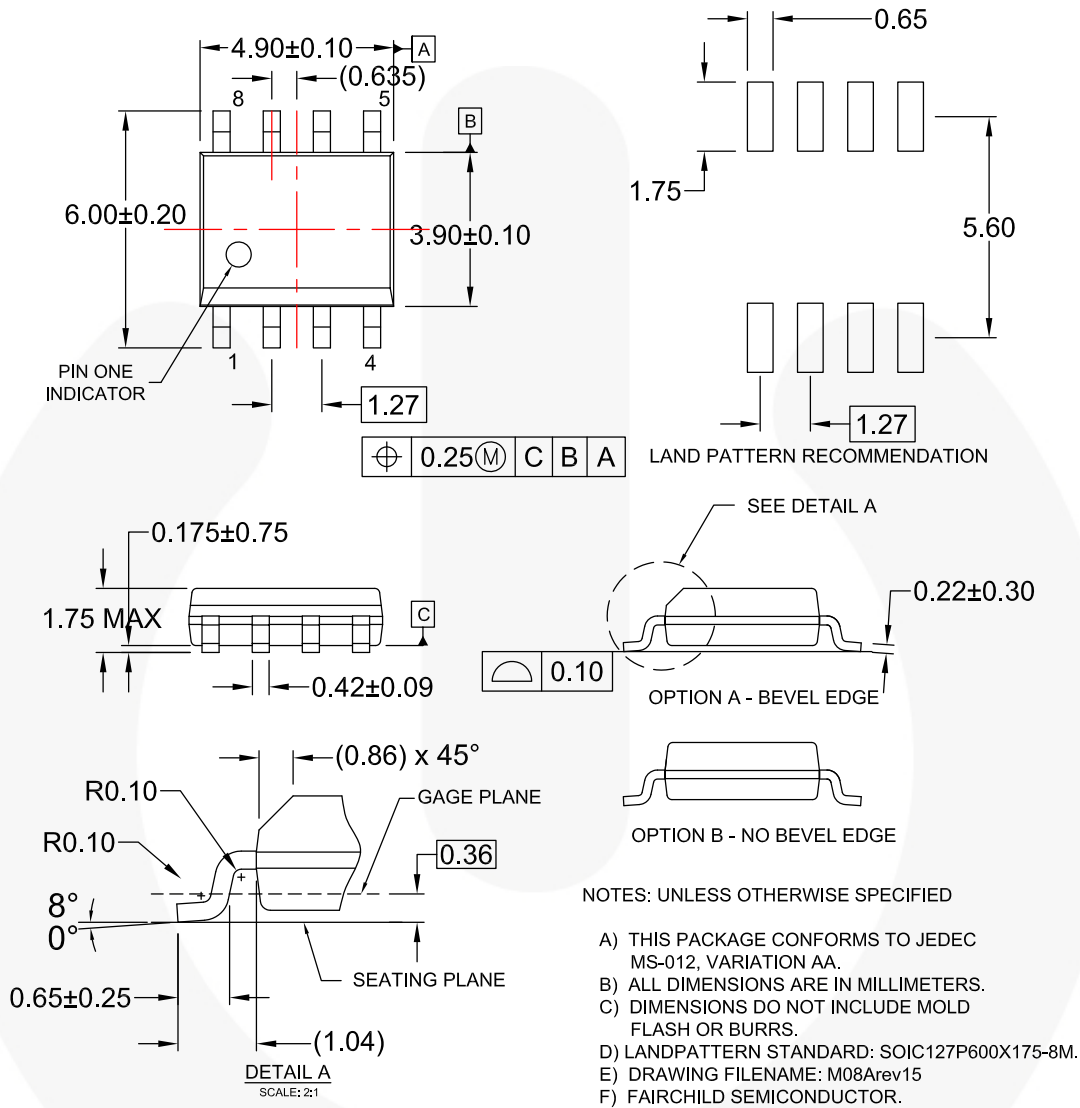


Figure 18. Low Battery Disconnect

## Physical Dimensions



**Figure 19. 8 Lead, SOIC, JEDEC MS-012, 0.150 inch NARROW BODY**

Package drawings are provided as a service to customers considering Fairchild components. Drawings may change in any manner without notice. Please note the revision and/or date on the drawing and contact a Fairchild Semiconductor representative to verify or obtain the most recent revision. Package specifications do not expand the terms of Fairchild's worldwide terms and conditions, specifically the warranty therein, which covers Fairchild products.

Always visit Fairchild Semiconductor's online packaging area for the most recent package drawings:  
<http://www.fairchildsemi.com/dwg/M0/M08A.pdf>

For current tape and reel specifications, visit Fairchild Semiconductor's online packaging area:  
[http://www.fairchildsemi.com/packing\\_dwg/PKG-M08A.pdf](http://www.fairchildsemi.com/packing_dwg/PKG-M08A.pdf)





### TRADEMARKS

The following includes registered and unregistered trademarks and service marks, owned by Fairchild Semiconductor and/or its global subsidiaries, and is not intended to be an exhaustive list of all such trademarks.

AccuPower™	F-PFST™		
Awinda®	FRFET®	PowerTrench®	TinyBoost®
AX-CAP®*	Global Power Resource™	PowerXS™	TinyBuck®
BitSiC™	GreenBridge™	Programmable Active Droop™	TinyCalc™
Build it Now™	Green FPS™	QFET®	TinyLogic®
CorePLUS™	Green FPS™ e-Series™	QS™	TINYOPTO™
CorePOWER™	Gmax™	Quiet Series™	TinyPower™
CROSSVOLT™	GTO™	RapidConfigure™	TinyPWM™
CTL™	IntelliMAX™		TinyWire™
Current Transfer Logic™	ISOPLANAR™	Saving our world, 1mW/W/kW at a time™	TranSiC™
DEUXPEED®	Making Small Speakers Sound Louder and Better™	SignalWise™	TriFault Detect™
Dual Cool™	MegaBuck™	SmartMax™	TRUECURRENT®*
EcoSPARK®	MICROCOUPLER™	SMART START™	µSerDes™
EfficientMax™	MicroFET™	Solutions for Your Success™	
ESBC™	MicroPak™	SPM®	UHC®
	MicroPak2™	STEALTH™	Ultra FRFET™
Fairchild®	MillerDrive™	SuperFET®	UniFET™
Fairchild Semiconductor®	MotionMax™	SuperSOT™-3	VCX™
FACT Quiet Series™	MotionGrid®	SuperSOT™-6	VisualMax™
FACT®	MTi®	SuperSOT™-8	VoltagePlus™
FAST®	MTx®	SupreMOS®	XS™
FastvCore™	MVN®	SyncFET™	Xsens™
FETBench™	mWSaver®	Sync-Lock™	仙童™
FPS™	OptoHiT™		

\* Trademarks of System General Corporation, used under license by Fairchild Semiconductor.

### DISCLAIMER

FAIRCHILD SEMICONDUCTOR RESERVES THE RIGHT TO MAKE CHANGES WITHOUT FURTHER NOTICE TO ANY PRODUCTS HEREIN TO IMPROVE RELIABILITY, FUNCTION, OR DESIGN. TO OBTAIN THE LATEST, MOST UP-TO-DATE DATASHEET AND PRODUCT INFORMATION, VISIT OUR WEBSITE AT [HTTP://WWW.FAIRCHILDSEMI.COM](http://www.fairchildsemi.com). FAIRCHILD DOES NOT ASSUME ANY LIABILITY ARISING OUT OF THE APPLICATION OR USE OF ANY PRODUCT OR CIRCUIT DESCRIBED HEREIN; NEITHER DOES IT CONVEY ANY LICENSE UNDER ITS PATENT RIGHTS, NOR THE RIGHTS OF OTHERS. THESE SPECIFICATIONS DO NOT EXPAND THE TERMS OF FAIRCHILD'S WORLDWIDE TERMS AND CONDITIONS, SPECIFICALLY THE WARRANTY THEREIN, WHICH COVERS THESE PRODUCTS.

### LIFE SUPPORT POLICY

FAIRCHILD'S PRODUCTS ARE NOT AUTHORIZED FOR USE AS CRITICAL COMPONENTS IN LIFE SUPPORT DEVICES OR SYSTEMS WITHOUT THE EXPRESS WRITTEN APPROVAL OF FAIRCHILD SEMICONDUCTOR CORPORATION.

As used herein:

1. Life support devices or systems are devices or systems which, (a) are intended for surgical implant into the body or (b) support or sustain life, and (c) whose failure to perform when properly used in accordance with instructions for use provided in the labeling, can be reasonably expected to result in a significant injury of the user.
2. A critical component in any component of a life support, device, or system whose failure to perform can be reasonably expected to cause the failure of the life support device or system, or to affect its safety or effectiveness.

### ANTI-COUNTERFEITING POLICY

Fairchild Semiconductor Corporation's Anti-Counterfeiting Policy. Fairchild's Anti-Counterfeiting Policy is also stated on our external website, [www.fairchildsemi.com](http://www.fairchildsemi.com), under Sales Support.

Counterfeiting of semiconductor parts is a growing problem in the industry. All manufacturers of semiconductor products are experiencing counterfeiting of their parts. Customers who inadvertently purchase counterfeit parts experience many problems such as loss of brand reputation, substandard performance, failed applications, and increased cost of production and manufacturing delays. Fairchild is taking strong measures to protect ourselves and our customers from the proliferation of counterfeit parts. Fairchild strongly encourages customers to purchase Fairchild parts either directly from Fairchild or from Authorized Fairchild Distributors who are listed by country on our web page cited above. Products customers buy either from Fairchild directly or from Authorized Fairchild Distributors are genuine parts, have full traceability, meet Fairchild's quality standards for handling and storage and provide access to Fairchild's full range of up-to-date technical and product information. Fairchild and our Authorized Distributors will stand behind all warranties and will appropriately address any warranty issues that may arise. Fairchild will not provide any warranty coverage or other assistance for parts bought from Unauthorized Sources. Fairchild is committed to combat this global problem and encourage our customers to do their part in stopping this practice by buying direct or from authorized distributors.

### PRODUCT STATUS DEFINITIONS

#### Definition of Terms

Datasheet Identification	Product Status	Definition
Advance Information	Formative / In Design	Datasheet contains the design specifications for product development. Specifications may change in any manner without notice.
Preliminary	First Production	Datasheet contains preliminary data; supplementary data will be published at a later date. Fairchild Semiconductor reserves the right to make changes at any time without notice to improve design.
No Identification Needed	Full Production	Datasheet contains final specifications. Fairchild Semiconductor reserves the right to make changes at any time without notice to improve the design.
Obsolete	Not In Production	Datasheet contains specifications on a product that is discontinued by Fairchild Semiconductor. The datasheet is for reference information only.