

5

4

3

2

1

DRAWING NO.
NW-F81

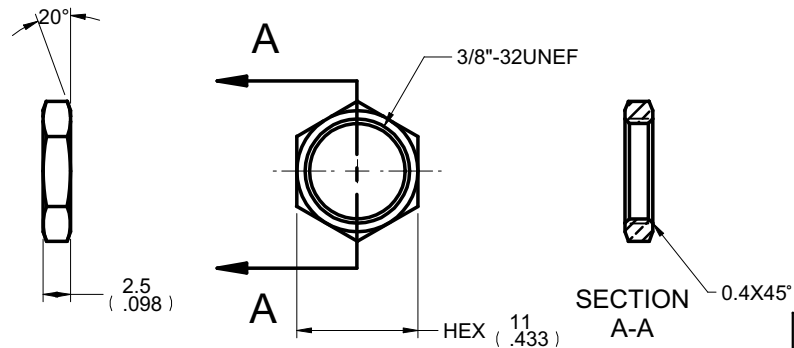
REVISIONS

01	OFFICIAL RELEASE				2009090
	08-12-09	L	L	T	H

Description: F-type 7/16" nut & washer, 100pk
 Part No: NW-F81
 Application: CS200 nut
 N/A
 Crimp Tool: N/A
 Impedance: N/A
 Frequency Range: N/A
 Material: Brass
 RoHS Compliance: Yes
 Technical Detail: N/A



受控 CONTROLLED DOCUMENT					
编号 P/N	NF-F81	版本 Rev	01	日期 Rel'd Date	SEP 14,09



DIM OUTLINE

CUSTOMER COPY

TOLERANCE UNLESS OTHERWISE SPECIFIED		DRAWN BY	DATE
DECIMALS	mm	LINDA.WU	08-12-09
X	± 0.5	CHECKED BY	DATE
X.X	± 0.3	LINDA.WU	08-12-09
X.XX	± 0.1	APPROVED BY	DATE
ANGLES	± 0.5°	THOMAS	08-12-09
		U/M	mm

EMERSON
Network Power

Connectivity Solutions

TITLE
F-TYPE 7/16" NUT & WASHER, 100PK

THIS DRAWING WAS PRODUCED BY COMPUTER, DO NOT SCALE DRAWING OR UPDATE MANUALLY.		SHEET 1 OF 1	DRAWING NO. NW-81F	SIZE A
---	--	-----------------	-----------------------	-----------

5

4

3

2

1