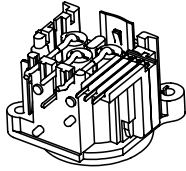
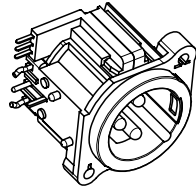
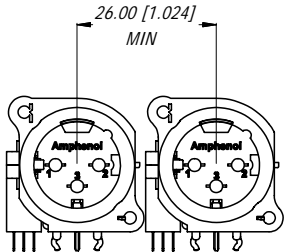


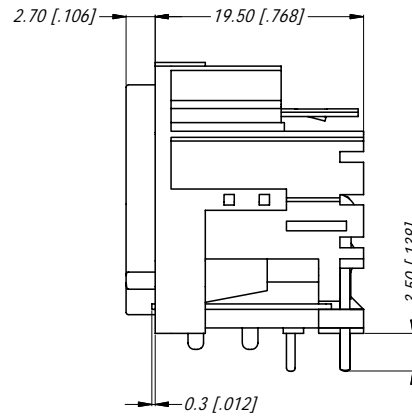
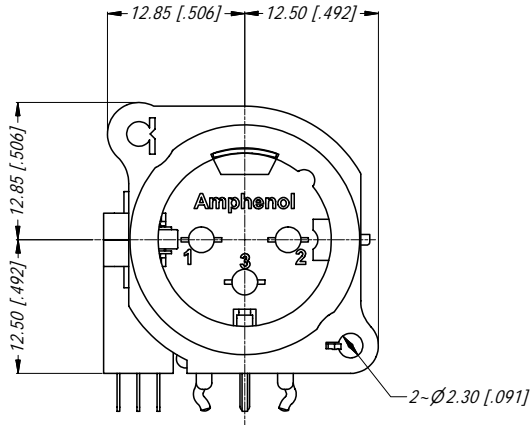
LEGEND = KEY PRODUCT CHARACTERISTICS



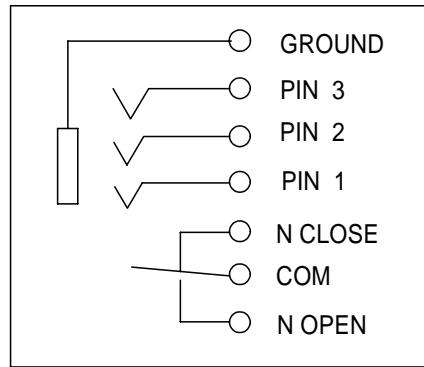
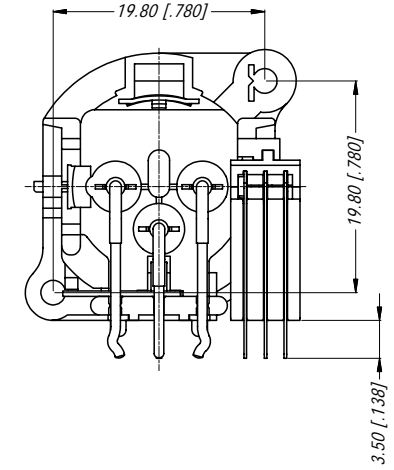
ISO VIEW
SCALE 1:1



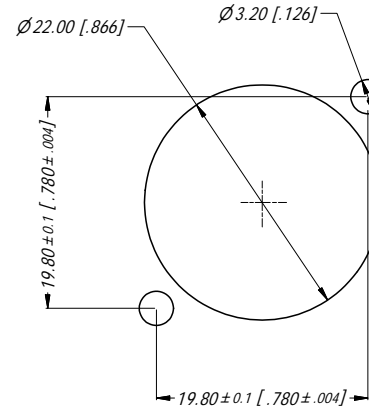
MIN MOUNTING PITCH
SCALE 1:1



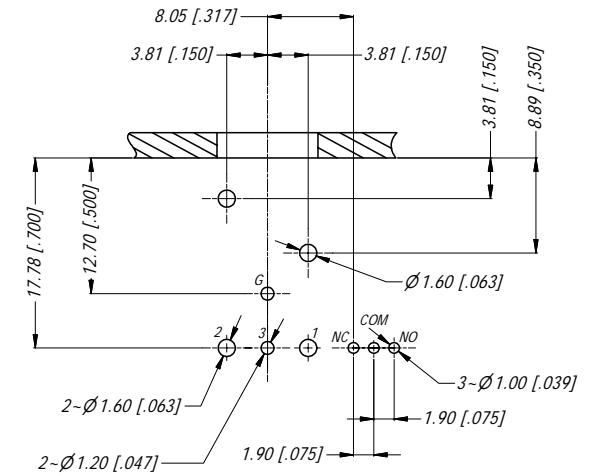
REVISION HISTORY				
REV	DESCRIPTION	DATE	BY	CHG/NO
0	FIRST ISSUE	02/06/2010	A.O	---
1	ADD THE PROTRUDING 0.3mm HEIGHT OF GROUND CONTACT	09/09/2010	A.O	8935



SCHEMATIC CHART



PANEL CUT OUT
REAR VIEW



PCB-LAYOUT
COMPONENT SIDE
TOLERANCE: ±0.05mm [0.002"]

UNLESS OTHERWISE SPECIFIED TOLERANCE TO BE		THIS DOCUMENT IS THE PROPERTY OF AMPHENOL AUSTRALIA PTY. LTD. NO PART THEREOF MAY BE REPRODUCED AND USED WITHOUT THE PRIOR WRITTEN CONSENT OF THE OWNER			Amphenol Amphenol Australia Pty.Ltd, 2 Fiveways Blvd, Keysborough, VIC 3173	
LINEAR	ANGULAR	MATERIAL:	DRN:	DATE:	TITLE:	PART NO:
X ±0.5	X° ±1	REFER TO COMPONENT	A.O	06/04/10	AC3MAH4-SW-B	AC3MAH4-SW-B
XX ±0.1	XX' ±30	DO NOT SCALE	CKD:	DATE:	CUSTOMER DRAWING	DRAWING NO.
XXX ±0.05	XXX' ±15	FINISH: REFER TO COMPONENT	P.M	09/09/10	SCALE: 1:1	55010665-000-2
BREAK ALL SHARP EDGES AND REMOVE ALL BURRS		APP'D:	P.M	DATE:	SIZE: A3	SHEET
DIMENSIONS IN MILLIMETRES		THIRD ANGLE PROJECTION	SCALE: 1:1	SIZE: A3	CAD FILE: 550106650000221	2/2