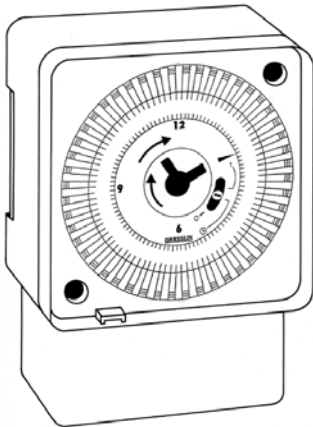
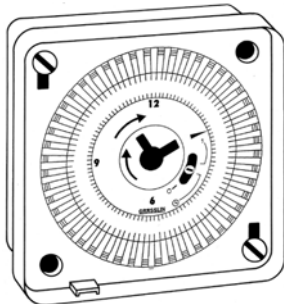


**SPECIFICATION SHEET**

**tactic Synchronous & Quartz**



Surface mounting



Panel mounting

| <u>PRODUCT CODE*</u> | <u>ORDER CODE</u> | <u>DIAL TYPE</u> | <u>SWITCHING CAPACITY</u> |
|----------------------|-------------------|------------------|---------------------------|
| tactic 111.1         | 72ST              | 24 HOUR          | 16 Amps                   |
| tactic 171.1         | 72SW              | 7 DAY            | 16 Amps                   |
| tactic 211.1         | 72QT              | 24 HOUR          | 16 Amps                   |
| tactic 271.1         | 72QW              | 7 DAY            | 16 Amps                   |

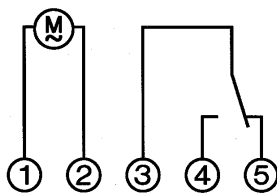
All products are suitable for surface, panel and din-rail mounting. Backplate provided is suitable for panels up to 2mm thickness. Optional terminal block is available for panels greater than 2mm. When panel mounting, connection is possible without accessories by use of 1/4" (6.3mm) tab terminal receptacle connectors (not provided). Quartz versions have 150 hour battery back-up.

**\*Product code key:**

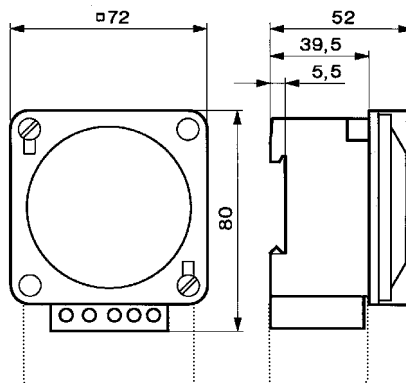
- 1.. 1 = Synchronous without running reserve
- 2 = Quartz with running reserve
- 3-5 = Digital
- .1. 1 = Day program (24 hour)
- 7 = Week program (7 day)
- ..1 1 = 1-channel
- 2 = 2-channel
- ... 1 0 = Surface mounting
- 1 = Universal mounting
- 2 = Flush mounting

**Technical specification:**

Control panel cutout 68 x 68 mm  
 Weight 160g  
 AC switching capacity:  
 - resistive load 16A 250v AC  
 - inductive load cos  $\phi$  0.6 8A 250v AC  
 - incandescent lamp load 1350W  
 - fluorescent lamp load 60W  
 Minimum switching current 100mA (20v) AC/DC  
 Ambient temperature:  
 - Synchronous units -20 °C to +85 °C  
 - Quartz units -20 °C to +55 °C  
 Accuracy mains synchronized typ.  $\pm$  2.5 sec. / day  
 Battery charging time (quartz) 70 hours  
 Minimum switching time:  
 - 24 hour dials 15 minutes  
 - 7 day dials 2 hours  
 Manual override fix ON / timed / fix OFF  
 Optional working voltages:  
 Tactic 211.1 / 271.1 only  
 Standard options – 24v AC/DC; 110v AC  
 On request (subject to availability) : 6 – 72v DC; 12 – 160v 45/60Hz



Tactic wiring



Tactic dimensions – dimension over terminal cover: 106mm