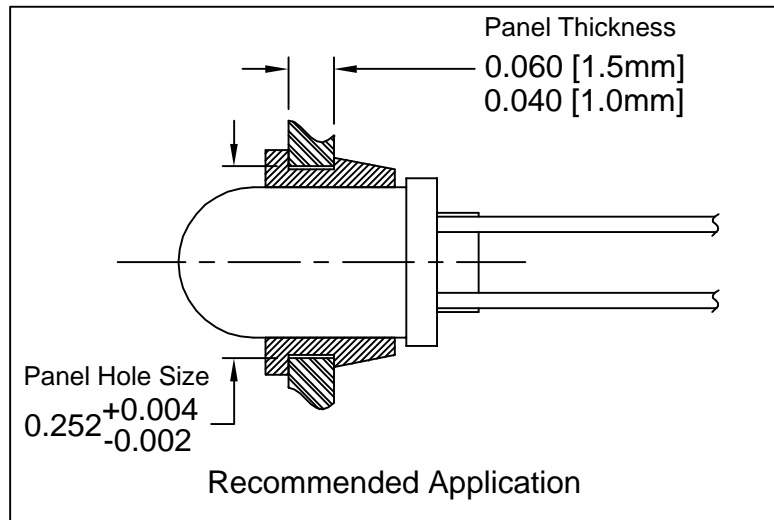
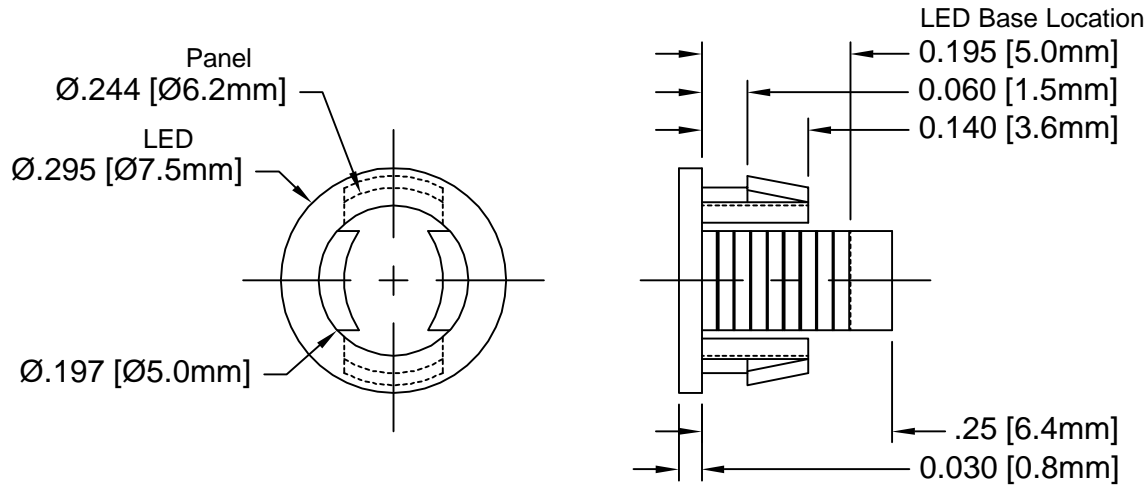


REV.	DESCRIPTION	DATE	APPROVED
C	Engineering Update w/o Changes	02/24/04	M. C.



2. MATERIAL: NYLON, 94V-0, BLACK. BIVAR MATERIAL CODE 22-BK.
RTP POLYAMIDE NYLON 6/6, 0200 FR, BLACK OR MODIFIED PLASTICS MN6/6-SE BK.
1. GENERAL SPECIFICATIONS: BIVAR MOLDED COMPONENT SPECIFICATION BV00-E101.

STANDARD TOLERANCE (UNLESS OTHERWISE SPECIFIED)		 4 THOMAS, IRVINE, CA. 92618 TEL: (949) 951-8808 FAX: (949) 951-3974			
DECIMALS	ANGULAR				
.X ± .1	X° ± 1°	 TITLE: T-1½ (5mm) LED SELF-RETAINING CLIP			
.XX ± .01					
.XXX ± .005		DESIGNED: Shane Irving	DATE: 09/17/98	PART NO: C-105-SR	REVISION: C
CHECKED: M. Chen		DATE: 08/29/02	CAGE CODE : 32559	SHEET # 1 OF 1	
CAD GENERATED DOCUMENT. DO NOT MEASURE DRAWING.					