



External power supplies



AC/DC Single Output Desk top Type
EA1020R Series

20 Watts

ENGLISH



Features

- ErP level V
- CEC compliance
- RoHS compliance
- Interchangeable AC Plug
- Over voltage and over current protection
- Protection type: Auto Recovery
- MTBF: >30,000 hours

Electrical Specifications

RS STOCK NO.	MODEL OUTPUT	VOLTAGE (Vo)	MAX. LOAD (Lo)	POWER (Watts)	LOAD REGULATION	LINE REGULATION	RIPPLE & NOISE
731-6002	EA1020AR(M02)	5V	4A	20W	+/- 5%	+/- 1%	2%
731-6006	EA1020AR(M03)	6V	3.3A	20W	+/- 5%	+/- 1%	2%
731-6021	EA1020R(M01)	9V	2.22A	20W	+/- 5%	+/- 1%	2%
731-6024	EA1020R(M02)	12V	1.66A	20W	+/- 5%	+/- 1%	2%
731-6015	EA1020CR(M02)	15V	1.33A	20W	+/- 5%	+/- 1%	2%
731-6012	EA1020DR(M01)	24V	0.83A	20W	+/- 5%	+/- 1%	2%

NOTE:
 1: Ripple & noise is measured by using 20MHz bandwidth limited oscilloscope and terminated each output with a 0.1uf ceramic capacitor & parallel with 47uF aluminum capacitor at full load and nominal line.
 2: Line regulation is defined by changing $\pm 10\%$ of input voltage from nominal line at rated load.
 3: Max. Output Power (W) $\geq V_o \times I_o$

Electrical Specifications

Mechanical Specification

INPUT

- Input Range 90 to 264 VAC
- Frequency 47 to 63Hz
- Input Current 0.5A at 230VAC
- Inrush Current 60A at 230VAC
- Efficiency 81% Max.
- Hold Up Time $\geq 8.3\text{ms}$
- Turn On Time $\leq 3\text{s}$

OUTPUT

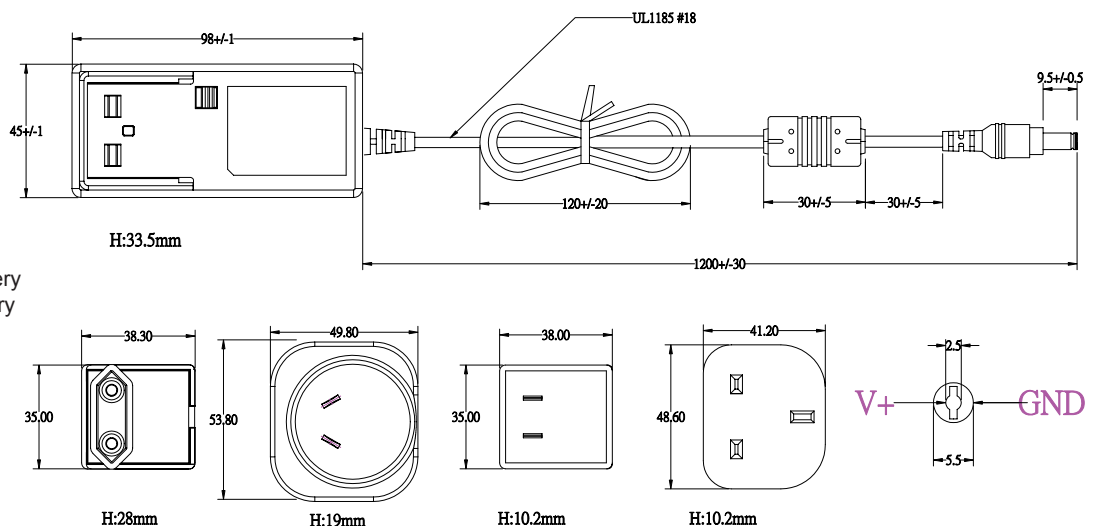
- Over Voltage Protection Auto Recovery
- Short Circuit Protection Auto Recovery

ENVIRONMENTAL

- Operating Temperature 0 to 40°C
- Storage Temperature -20 to 85 °C
- Storage Humidity 5 % to 95%

SAFETY

- UL60950-1, EN60950-1, CE



- Case Size: 98Lx45Wx31H (mm)
- AC Inlet: Interchangeable
- Weight: 220g