

PMZ2081

RoHS
Compliant

• RC unit, class X2, metallized paper capacitor with integrated resistor

- Excellent self-healing properties. Ensures long life even when subjected to frequent overvoltages.
- High dU/dt capability.
- Self-extinguishing encapsulation.
- Good resistance to ionisation due to impregnated dielectric.
- The impregnated paper ensures excellent stability giving outstanding reliability properties, especially in applications having continuous operation.

TYPICAL APPLICATIONS

RC unit for use in DC and AC applications for:

- contact protection
- interference suppression of contacts
- transient suppression

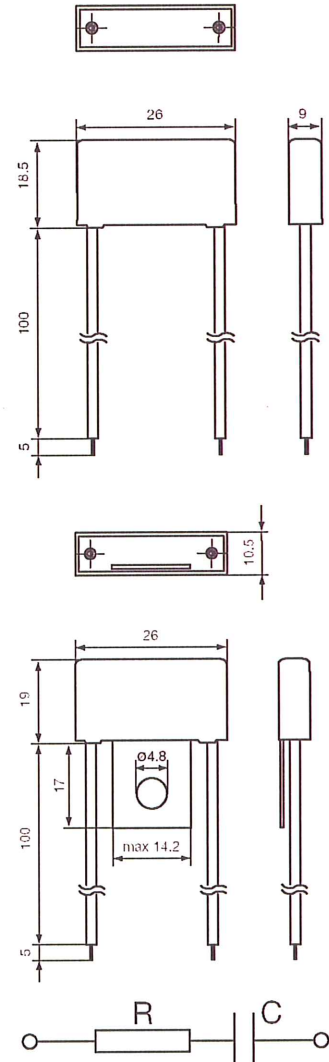
CONSTRUCTION

PMZ2081 consists of the Rifa RC unit PMR209, furnished with insulated flexible leads and encapsulated in self-extinguishing material meeting the requirements of UL94V-0. A version with an insulated bracket is also available

TECHNICAL DATA

Rated voltage	250 VAC 50/60 Hz, 630 VDC
Capacitance range	0.1 μ F
Capacitance tolerance	\pm 20%
Resistance range	100 Ω
Resistance tolerance	\pm 30%
Peak pulse voltage	1000 V
Temperature range	-40 to +85°C
Climatic category	40/085/56/B
Series resistance	The series resistance is defined at 1 kHz for RC \geq 50 μ s and at 100 kHz for RC < 50 μ s.
Insulation resistance	\geq 3000 M Ω Measured at 500 VDC after 60 s, +23°C
Pulse current	Max 12 A repetitive. Max 20 A peak for occasional transients.
In DC applications	Recommended voltage \leq 630 VDC.

Other data according to PMR209 data sheet.



ARTICLE TABLE

Capacitance μ F	Resistance Ω	Max dimensions in mm			Quantity per package pcs	Article code
		B	H	L		
0.10	100	9.0	18.5	26.0		PMZ2081MD6100M100J105
0.10	100	10.5	19.0	26.0		PMZ2081MD6100M100J105TAB

MARKING

- RIFA
- RIFA article code
- Rated capacitance and resistance
- Rated voltage
- Manufacturing date code (year, month)

PRELIMINARY DATA SHEET PHZ2081

Specifications subject to change without notice

© Evox Rifa 05/2006