

5212

mixcal careflo thermostatic
mixing valves



WRAS
APPROVED
PRODUCT

altecnic

5212 mixcal careflo fail safe thermostatic mixing valve



Application

Thermostatic mixing valves are used to maintain the domestic hot water supplied to the user at a constant and safe temperature, when variations in the hot and cold water supply conditions and draw off flow rates occur.

The mixcal careflo range has been designed for use in care homes and other premises required to provide a duty of care, especially to the young and elderly.

The valve is designed primarily for single user outlets including wash basins, showers, baths and bidets but is also suitable for multiple outlet use.

Operating Principle

The controlling element of the mixing valve is a temperature sensor fully immersed in the mixed water outlet port, which expands or contracts, continually maintaining the correct proportion of hot and cold water entering the valve.

Even when the supply pressures drop, due to draw off of hot or cold water by other users on the same system, or variations in the incoming water temperatures, the mixing valve automatically responds and maintains the mixed outlet water at the required temperature.

BS 7942 & TMV3

The mixcal careflo fail safe valve has been designed to meeting the requirements of the latest National Health Service model engineering specification D08 and BS 7942:2000 for use in care homes.

The valve has been independently tested and approved as a type 3 under the TMV3 scheme.

The failsafe design shuts off the mixed water flow automatically in the event of disruption in the hot or cold water supply to the valve.

Construction Details

Component	Material	Grade
Body	DRZ - chrome plated	BS EN 12165 CW602N
Cartridge & Shutter	Brass	BS EN 12165 CW614N
Springs	Stainless steel	
Seals	EPDM	

Product Code	Size	Connection	Type
--------------	------	------------	------

5211 Range

521215	15 mm	compression	Cu x Cu x Cu
521222	22 mm	compression	Cu x Cu x Cu



E & O.E

Altecnic Ltd Mustang Drive, Stafford, Staffordshire ST16 1GW

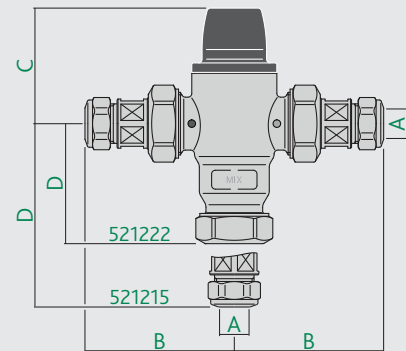
T: +44 (0)1785 218200 E: sales@altecnic.co.uk

Registered in England No: 2095101

altecnic.co.uk

AL 018 23-03-11

Dimensions



Prod Code	A	B	C	D	kg
521215	Ø15	79	61	98	1.10
521222	Ø22	80.5	61	67	1.06

Technical Data

Complies with; BS 7942:2000
 Max. working pressure: 10 bar - Static
 Min. working pressure: 0.2 bar - Dynamic
 D08 working pressure range: 0.2 to 1.0 bar - Low
 1.0 to 5.0 bar - High

Max. inlet temperature: 85°C
 Max. inlet pressure ratio (H/C or C/H): 5:1
 Accuracy: ±2°C
 Setting Range: 30 to 50°C

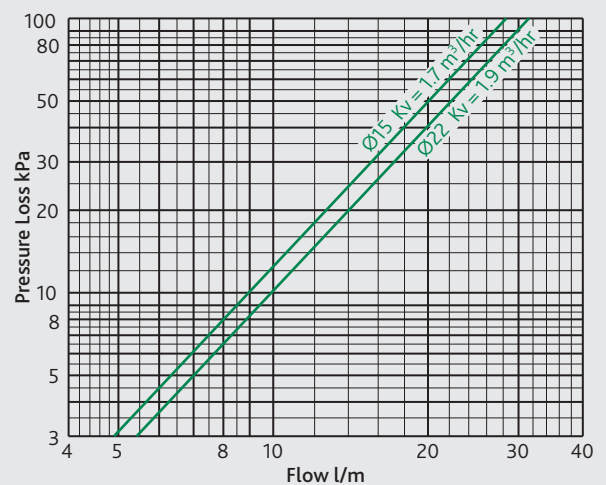
Min. temperature difference between inlet hot water and outlet mixed water: 10°C

Compression ends: BS EN 1254-2

Complete with check valve and strainer in the inlet tailpieces.

MX valves complete with isolation valve, check valve, filter and test port also available.

Kv Value & Flowrate



altecnic