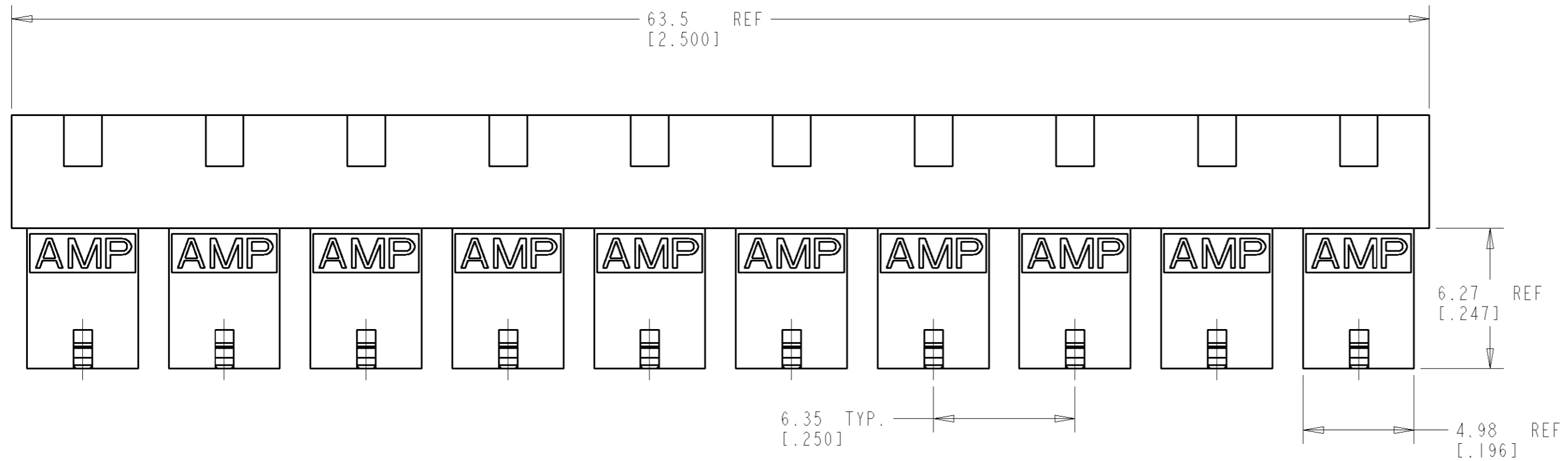
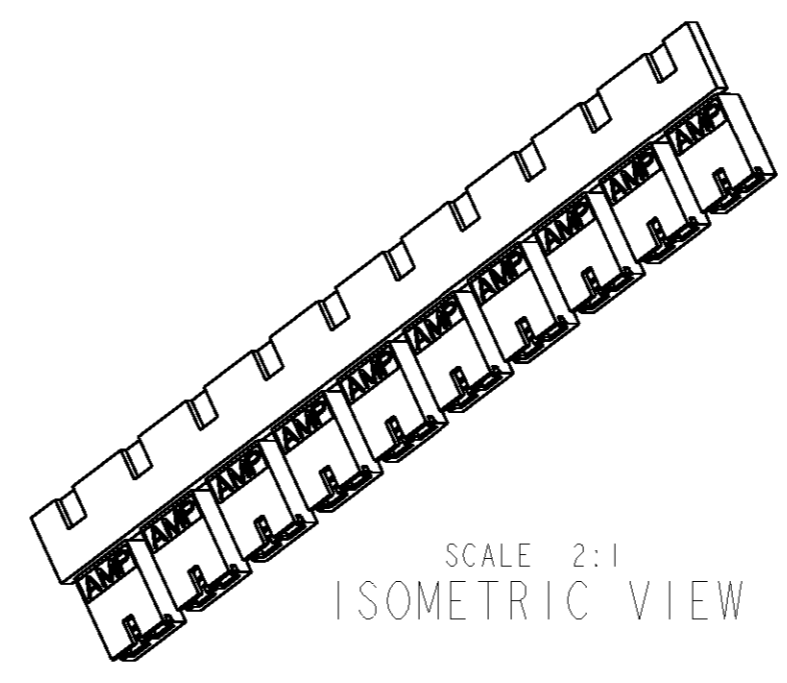
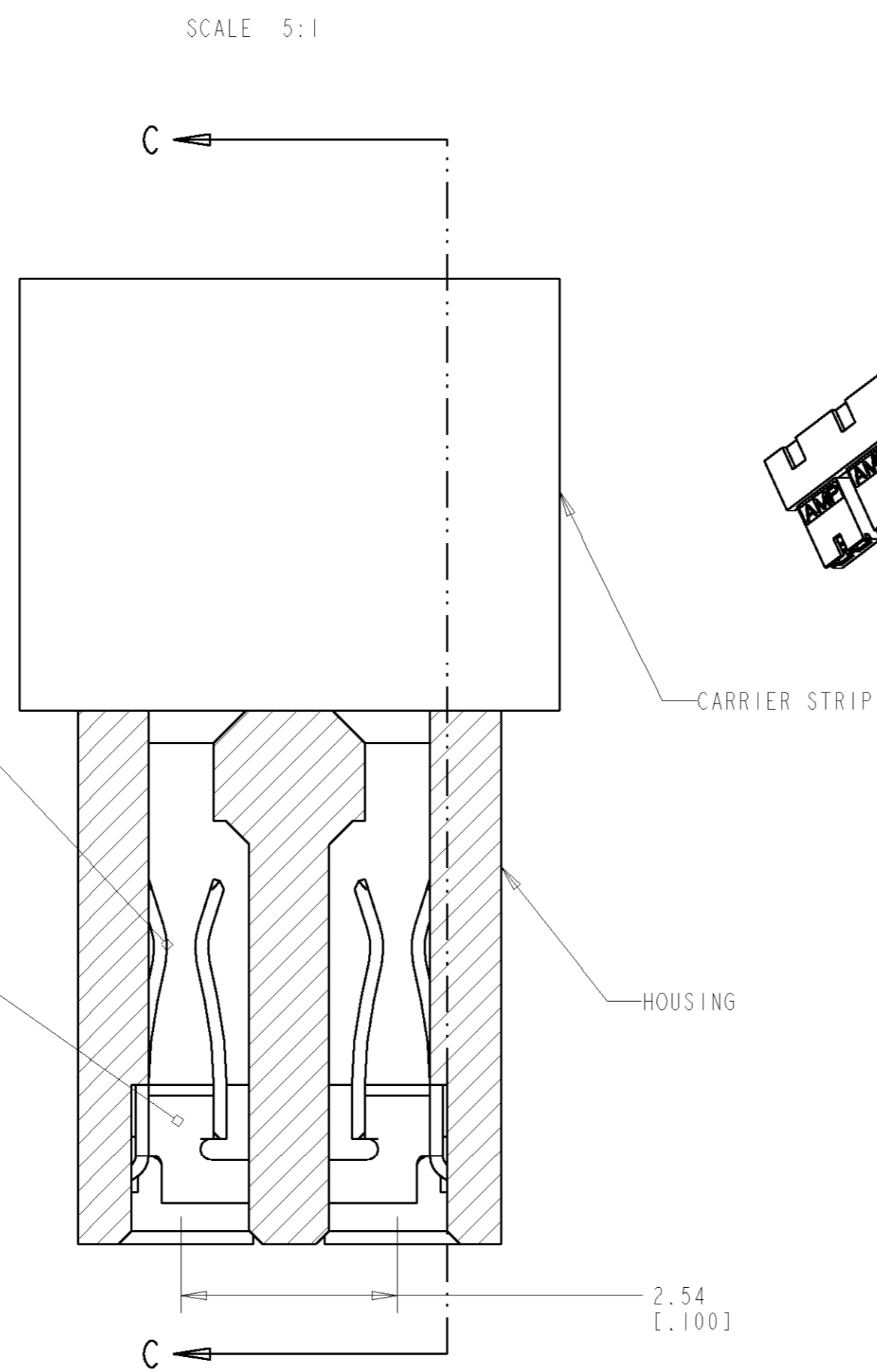
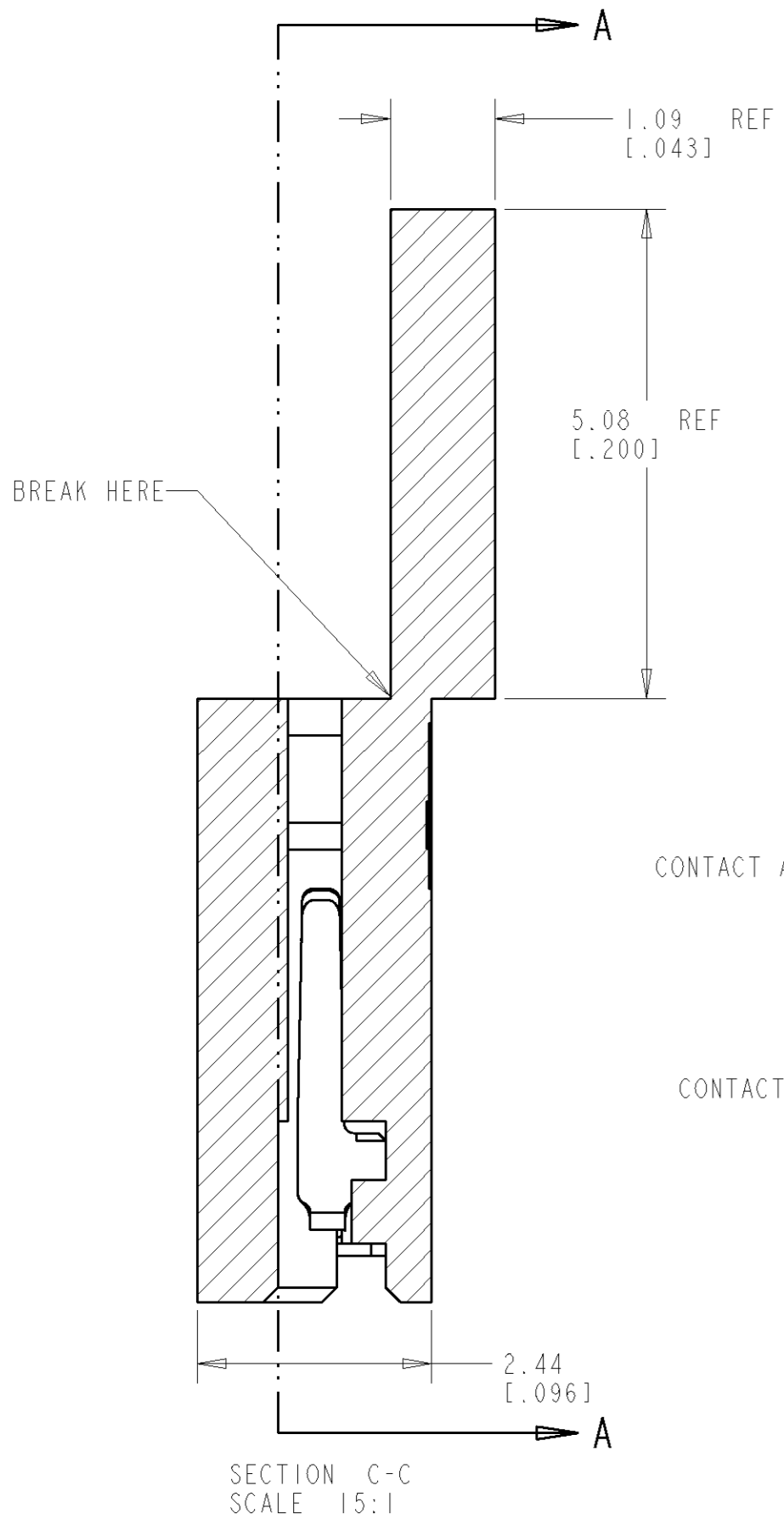


LOC	DIST	REVISIONS					
AG	53	P	LTR	DESCRIPTION	DATE	DWN	APVD
		A2		REVISED PER ECO-11-005140	19APR11	RK	HMR



- MATERIAL:
HOUSING: GLASS-FILLED POLYESTER
CONTACT: PHOSPHOR BRONZE
 - CONNECTOR MATES WITH 0.64 [0.025] SQUARE POSTS.
 - PART DENOTES INDIVIDUAL TWO POSITION SHUNT WHICH IS PACKAGED ON BREAKAWAY COMBS OF TEN SHUNTS.
- 4 ASSEMBLIES ARE DELIVERED IN STICKS OF TEN PARTS.
 - 5 FINISH: 1.27µm [0.000050] MIN NICKEL UNDERPLATE OVERALL.
 - 6 FINISH: 0.76µm [0.000030] MIN GOLD IN CONTACT AREA.
 - 7 FINISH: 0.38µm [0.000015] MIN GOLD IN CONTACT AREA.
 - 8 OBSOLETE PARTS: OBSOLETE CIS STREAMLINING PER D.RENAUD/D.SINISI



8 OBSOLETE	YELLOW	30AU	390088-5	4	5	6
	BLUE	15AU	390088-4	4	5	7
	BLUE	30AU	390088-3	4	5	6
	BLACK	15AU	390088-2	4	5	7
	BLACK	30AU	390088-1	4	5	6
	HOUSING COLOR	GOLD PLATING	PART NUMBER	NOTES		

DIMENSIONS: MM [INCH]		TOLERANCES UNLESS OTHERWISE SPECIFIED:		DWN: D. WIEBKING	22-Sep-99	 TE Connectivity
SEE NOTE 1		SEE NOTE 3		CHK: DGH	14-NOV-97	
MATERIAL: -		FINISH: -		APVD: PPS	14-NOV-97	NAME: SHUNT, DUAL BEAM .100 CL
CUSTOMER DRAWING		WEIGHT: -		PRODUCT SPEC: -	APPLICATION SPEC: -	SIZE: A2
				DRAWING NO: 390088		SCALE: SHT
				SHEET 1 OF 1		REV: A2