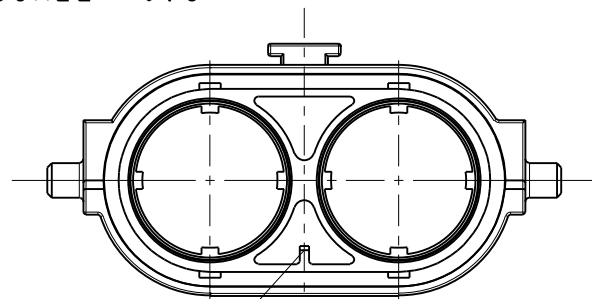


SCALE 6:5

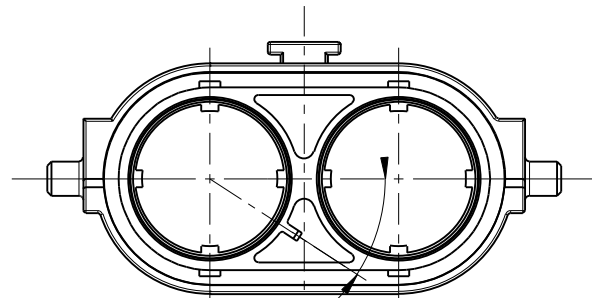
CUSTOMER DRAWING

REV	ECN	DESCRIPTION	DATE	MODIFIED
1		PRE-RELEASE	24/06/15	Robin Yuan
2		MODIFIED DIMENSION	22/07/15	Robin Yuan
3		ADD CODE AND ORDER	02/11/15	Robin Yuan
4			07/01/16	Robin Yuan



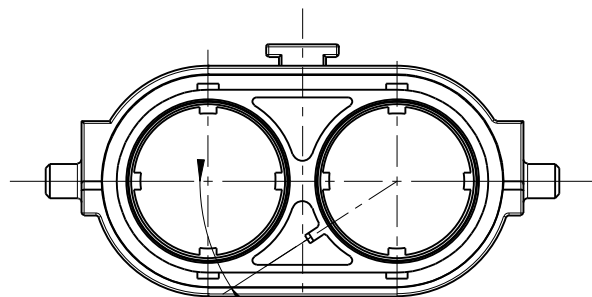
KEY 0

HVSL5 600 06 2 A
CODING A



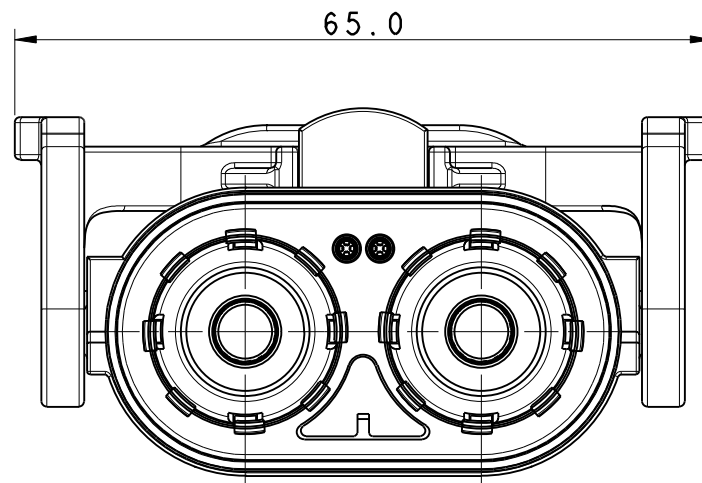
3°

HVSL5 600 06 2 B
CODING B

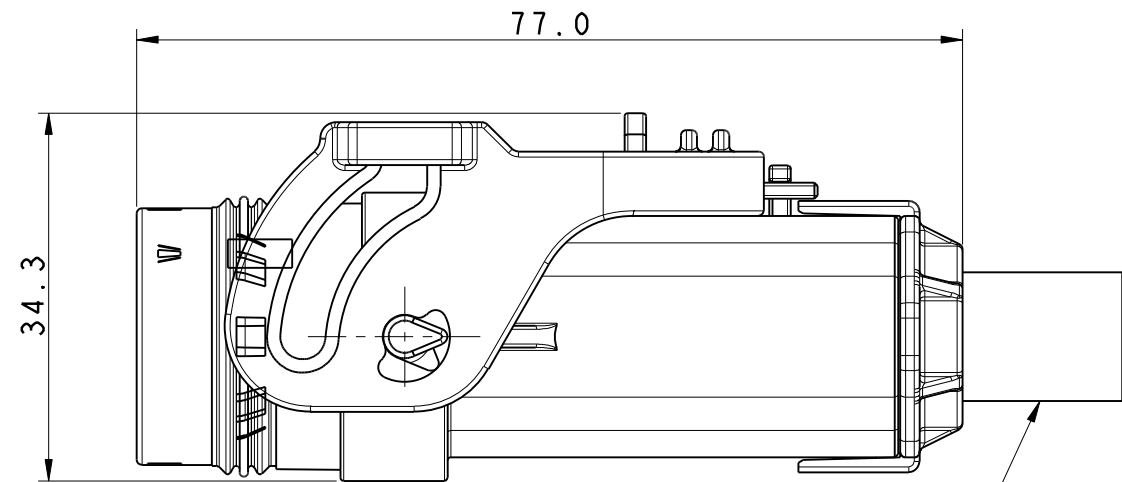


3°

HVSL5 600 06 2 C
CODING C



65.0



77.0

34.3

16mm²~25mm²
CABLE SIZE

C-HVSL5600062XXXX

C-HVSL5600062XXXX

HOW TO ORDER

HVSL5 600 06 2X X XX

A: CODING A
B: CODING B
C: CODING C

0: WITHOUT HVIL
1: WITH HVIL

25: CROSS-SECTION 25mm²
WIRE OD=11.9 ± 0.3mm

16: CROSS-SECTION 16mm²
WIRE OD=11.2 ± 0.25mm

NOTES:

- ELECTRONICAL CHARACTERISTICS:
HIGH VOLTAGE RATED 1000 V DC MAX.
CURRENT RATED 120 A MAX.
WITHSTANDING VOLTAGE 3000 V AC
PRODUCTS ARE COMPLIANCE WITH EN 60664-1 POLLUTION II
- ENVIRONMENT CHARACTERISTICS:
IP67 IP6K9K RATED (WHEN MATING)
IP2XB RATED FOR FINGER TOUCH-PROOF

DIMENSIONS ANSI Y14.5M UNITS: MM Pro/E FILE	TOLERANCES X ±0.1 .XX ±0.05 ANGLES ±0.5°	PROJECTION 	Amphenol Pcd Shenzhen ENGR Robin Yuan 24/06/15 CHKD APPD			TITLE HVSL5 600 06 2 X X XX STRAIGHT PLUG ASSEMBLY		
			ORIGINAL NOT FOR CUSTOMER DISTRIBUTION	THIS DOCUMENT CONTAINS PROPRIETARY INFORMATION WHICH IS THE CONFIDENTIAL PROPERTY OF AMPHENOL PCD SHENZHEN			SIZE A3	DWG NO. C-HVSL5600062XXXX
		CODE: 58982		SCALE: 1:1		SHEET 1 OF 1		