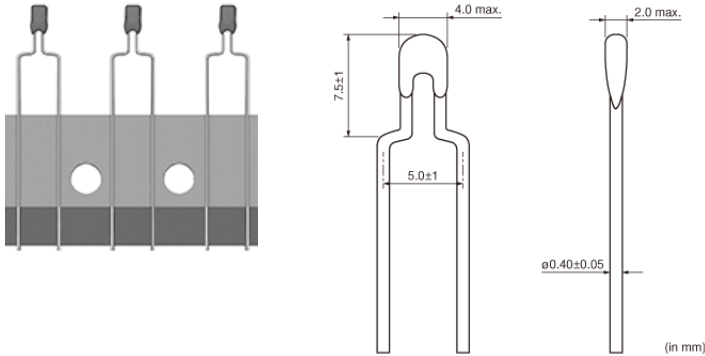


NXRT15WB473FA3A016

In Production Recommended RoHS REACH

Appearance & Shape



Features

1. High accuracy and high sensibility temperature sensing is available by the high accuracy NTC Thermistor.
2. This product is compatible with 1005 (1.0mm * 0.5mm) size NTC Thermistor.
3. The variation per hour of this product is stable few.
4. This product is produced with the automation line which was consistent from a lead to packing so that the product of uniform quality may be obtained at low cost in large quantities.
5. Since this product has strong lead intensity with original lead mounting technique, it is bent at the time of use and can perform processing etc. freely. Moreover, taping supply can also respond.

Applications

| | |
|---------------|---|
| Limited Usage | Consumer Grade |
| Other Usage | <ol style="list-style-type: none"> 1. For temperature detection of a rechargeable battery pack 2. For temperature detection of a charge circuit 3. For temperature detection of a printer head 4. For temperature detection of DC fan motor 5. For temperature detection of home electronics |

Packaging Information

| Packaging | Specifications | Minimum Order Quantity |
|-----------|----------------|------------------------|
| A016 | Ammo Pack | 2500 |

Attention

1. This datasheet is downloaded from the website of Murata Manufacturing Co., Ltd. Therefore, its specifications are subject to change or our products in it may be discontinued without advance notice. Please check with our sales representatives or product engineers before ordering.
2. This datasheet has only typical specifications because there is no space for detailed specifications. Therefore, please review our product specifications or consult the approval sheet for product specifications before ordering.

NXRT15WB473FA3A016



Specifications

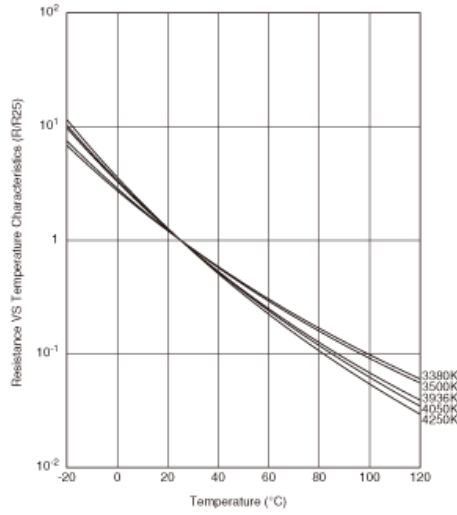
| | |
|---------------------------------------|----------------|
| Resistance (25°C) | 47kΩ |
| Resistance Value Tolerance (at 25°C) | ±1% |
| B-Constant (25/50°C) | 4050K |
| B-Constant (25/50°C) Tolerance | ±1% |
| B-Constant(25/80°C)(Reference Value) | 4101K |
| B-Constant(25/85°C)(Reference Value) | 4108K |
| B-Constant(25/100°C)(Reference Value) | 4131K |
| Maximum Operating Current (25°C) | 0.06mA |
| Rated Electric Power (25°C) | 7.5mW |
| Typical Dissipation Constant (25°C) | 1.5mW/°C |
| Thermal Time Constant | 4s |
| Operating Temperature Range | -40°C to 125°C |
| Lead Shape | Lead Wire type |
| Shape | Lead |
| Mass | 0.09g |

Attention

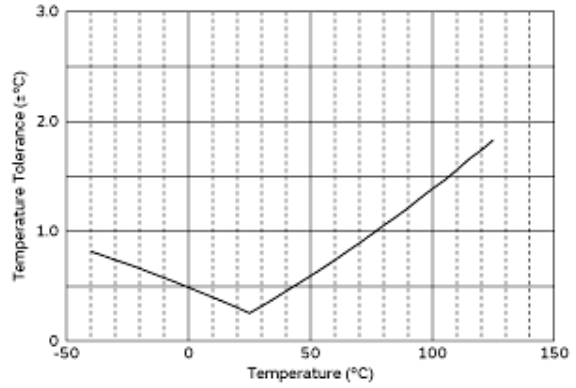
- 1.This datasheet is downloaded from the website of Murata Manufacturing Co., Ltd. Therefore, it's specifications are subject to change or our products in it may be discontinued without advance notice. Please check with our sales representatives or product engineers before ordering.
- 2.This datasheet has only typical specifications because there is no space for detailed specifications.
Therefore, please review our product specifications or consult the approval sheet for product specifications before ordering.

NXRT15WB473FA3A016

Product Data



Resistance-Temperature Characteristics



Temperature Tolerance VS. Temp.

Attention

- 1.This datasheet is downloaded from the website of Murata Manufacturing Co., Ltd. Therefore, it's specifications are subject to change or our products in it may be discontinued without advance notice. Please check with our sales representatives or product engineers before ordering.
- 2.This datasheet has only typical specifications because there is no space for detailed specifications. Therefore, please review our product specifications or consult the approval sheet for product specifications before ordering.