

ROTRON has a variety of gauges for pressure, vacuum and temperature measurements in various ranges. These gauges are reliable and rugged.

**SPECIFICATIONS:**

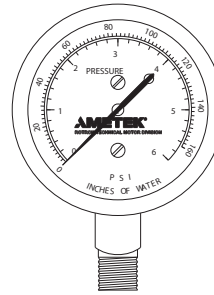
**Pressure/ Vacuum**

CASE— Drawn Steel Finished  
in Black Enamel  
DIAPHRAGM— Bronze  
LENS— Clear Plastic  
ACCURACY— 2%  
WEIGHT— 1/2 lb.  
CONNECTION— 1/4" NPT  
FACE— 2 1/2" dia.

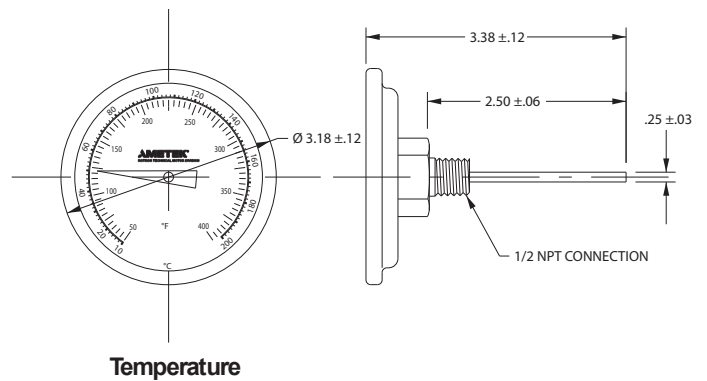
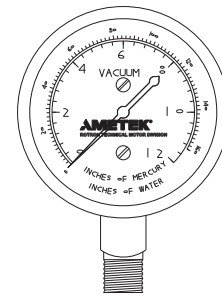
**Temperature**

CASE— Steel  
LENS— Glass  
ACCURACY— 1%  
WEIGHT— 1/4 lb.  
CONNECTION— 1/2" NPT  
FACE— 3" Dial

Pressure



Vacuum



Temperature

Specification	Units	Part/Model Number						
		551376	271949	550407	529428	271950	550408	551368
Range	-	Pressure	Pressure	Pressure	Vacuum	Vacuum	Vacuum	Temperature
Description	-	0-60 IWG	0-160 IWG	0-280 IWG	0-60 IWG	0-160 IWG	0-280 IWG	0-200 Deg C

*This document is for informational purposes only and should not be considered as a binding description of the products or their performance in all applications. The performance data on this page depicts typical performance under controlled laboratory conditions. AMETEK is not responsible for blowers driven beyond factory specified speed, temperature, pressure, flow or without proper alignment. Actual performance will vary depending on the operating environment and application. AMETEK products are not designed for and should not be used in medical life support applications. AMETEK reserves the right to revise its products without notification. The above characteristics represent standard products. For product designed to meet specific applications, contact AMETEK Technical & Industrial Products Sales department.*