

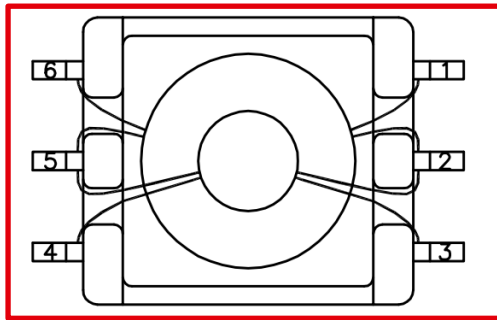


<h2>PCN (Product Change Notice)</h2>											
This document applies to all companies and branches of the Würth Elektronik eiSos Group. <input checked="" type="checkbox"/> Major Change <input type="checkbox"/> Minor Change											
PCN Number: PCN_UtPPTI5B_20260211 Affected Series: WE-PPTI Affected Part Number: see table below PCN Date: 2025-11-13 (YYYY-MM-DD) Effective Date: 2026-02-11 (YYYY-MM-DD)	Change Category: <input type="checkbox"/> Equipment/Location <input type="checkbox"/> General Data <input type="checkbox"/> Material <input checked="" type="checkbox"/> Process <input type="checkbox"/> Product Design <input type="checkbox"/> Shipping/Packaging <input type="checkbox"/> Supplier <input type="checkbox"/> Software										
Contact: Product Management Phone: +49 (0) 7942 - 945 5001 Fax: +49 (0) 7942 - 945 5179 E-Mail: pcn.eisos@we-online.com	Datasheet Change: <input type="checkbox"/> Yes <input checked="" type="checkbox"/> No Attachment: <input type="checkbox"/> Yes <input checked="" type="checkbox"/> No										
DESCRIPTION OF CHANGE: <p>Due to an improvement of the production capability, Würth Elektronik will update the wire routing of the below listed parts to enable auto-termination.</p> <p>There will be no change in fit, function, quality or reliability of the product.</p> <p>The new revision of the affected part numbers will be sent out after the previous revision is out of stock (according to FIFO - first-in, first-out).</p> <p>Affected part numbers:</p> <table border="1" style="width: 100%; border-collapse: collapse; margin-top: 10px;"> <tr> <td style="width: 20%;">750315371</td> <td style="width: 20%;">750316028</td> <td style="width: 20%;">750316029</td> <td style="width: 20%;">750316818</td> <td style="width: 20%;">750316819</td> </tr> <tr> <td>750316030</td> <td></td> <td></td> <td></td> <td></td> </tr> </table>		750315371	750316028	750316029	750316818	750316819	750316030				
750315371	750316028	750316029	750316818	750316819							
750316030											

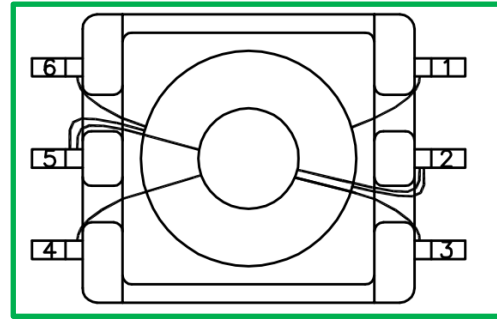
DETAILS OF CHANGE:

The wire routing will change for all parts listed in the table above. See before change in red and after change in green.

Before:



After:



RELIABILITY / QUALIFICATION OF CHANGE:

Test Item	Sample size	Reference	Test conditions	Acceptance
Physical Dimension	10	JESD22 Method JB-100	1000 h at rated operating temperature 125 °C.	Approved
Temperature Cycling	77	JESD22 Method JA-104	1000 cycles, from -40 °C (dwell time: 30 min) to 125 °C (dwell time: 30 min). Maximum transfer time: 1 min.	Approved
Mechanical Shock	30	MIL-STD-213G Method 204	3 shocks in each direction (x, -x, y, -y, z, -z), peak value of 100 g, duration 6 ms, half-sine, velocity change 12.3 ft/s.	Approved
Mechanical Vibration	30	MIL-STD-202G Method 204	5 g for 20 min, 12 cycles each of 3 orientations. Test from 10 Hz to 2000 Hz.	Approved
Resistance to Soldering Heat	30	MIL-STD-202G Method 210F	255±5°C 30±5s, 1°C/s-4°C/s, time above 183°C 90s-120s, 3 times	Approved
Board Flex	30	AEC-Q200-005	Appendix 2 Note:2mm(min); 60 sec minimum holding time	Approved



RELIABILITY / QUALIFICATION OF CHANGE CONTINUED:				
Solderability	15	J-STD-002	Electrical Test not required. Solder: Sn96.5Ag3Cu0.5Flux: Standard activated rosin flux Leaded: Steam Condition: Category 3; 245 ± 5 °C 5 +0/-0.5s. Lead-Free: Steam Condition: Category 3; Method D @ 260± 5 °C 7 ± 0.5s.	Approved
Operational Life	77	MIL-PRF-27	1000 hrs. @ 105°C or 85°C or 125°C	Approved
Pre and Post-Stress Electrical Test	309	Datasheet	According to values specified on datasheet.	Approved