
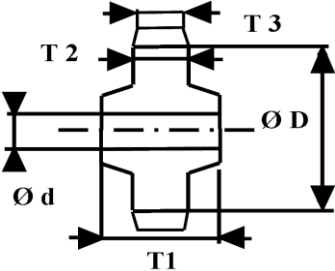


Polyurethane-tyred wheel Ø 75 roller bearing, 160kg

Heavy duty wheel

PRODUCT

Article number	23-412-075R12	
		

Product Details

Wheel Rim : machined high-resistance engineered cast iron.
 Tyre : cast bonded polyurethane.
 Hub : symmetrical, with roller bearing.

TECHNICAL DATA

Specifications

Wheel Diameter - ØD ± 1%	75 mm
Hub Type	Roller bearing
Hub Length T1	45 mm ±1
Width of Tread T2	25 mm ±1
Width of Tread-on floor T3	25 mm
Axle Hole Ø d	Ø 12 mm
Hardness of tread A ±3	A 93 Shore
Load capacity	160 Kg
Temperature	-25 / +70 °C

Applications :

Materials handling of very heavy loads.
 Low starting effort.
 High degree of resistance to abrasion, wear, hydrocarbons and metal shavings.