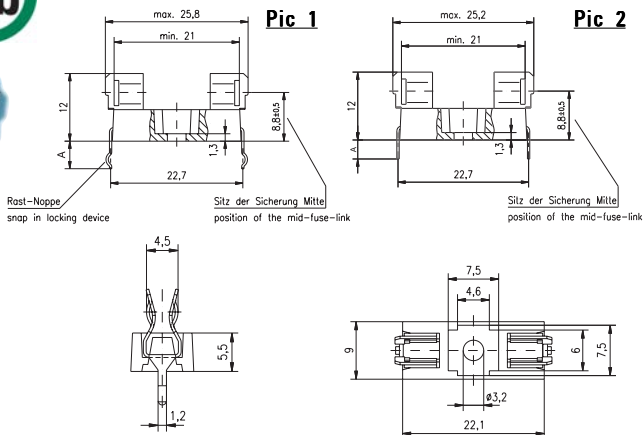
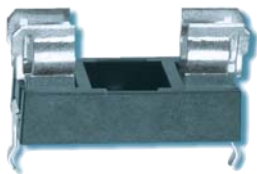


Holder / No. 646

PC Mount, for 5x20mm Fuses, lead free

Specifications



Mounting

Solder pins 0.5mm x 1.2mm
 Ø 3mm screw hole may be used optionally

Materials

Holder: Black Thermoplastic, UL94 V-0
 Polyamide PA 6.6
 Metal Parts: Copper alloy, solderable, tinned

Electrical Data (23°C)

Rated Voltage: 250V
 Max. current/power: 6.3A/2.5W
 5A/1W (with No. 648)
 6.3A/1.6W (with No. 640)

Minimum Cross Section

Conducting path - 0.2mm²

Unit Weight

1.6g

Packaging

Bulk (1000 pcs.)

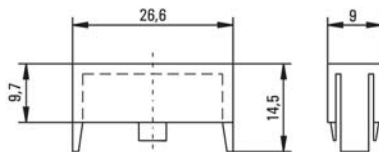
Order Information

Qty.	Order Number	Series		Type
		646	0000	

Type	Pic	Meas. "A"	for PCB-Thickness
100	1	5mm	3mm
122	1	3.2mm	1.5mm
123	2	3.3mm	1.5mm

Cover / No. 648

Optional Cover



Materials

Cover: Transparent Thermoplastic, UL94 V-0, Polycarbonate PC

Unit Weight

1.0g

Packaging

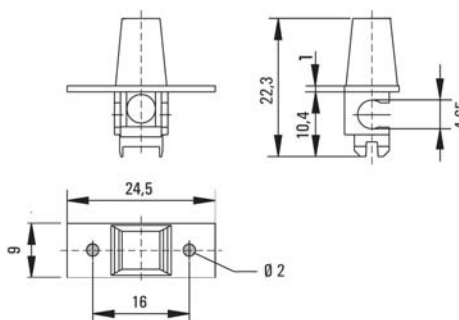
Bulk (2000 pcs.)

Order Information

Qty.	Order Number	Series		
		648	0000	100

Adapter / No. 640

Optional Adapter



Mounting

Hand adapter can be optionally used with Holder No. 646 and 647

Materials

Adapter: Polyester PBT, UL94 V-0

Unit Weight

1.0g

Packaging

Bulk (5000 pcs.)

Colours

Adapter black	100
Adapter brown	140
Adapter white	150
Adapter yellow	160
Adapter green	170
Adapter blue	190

Order Information

Qty.	Order Number	Series		Colour
		640	0000	

Contact Littelfuse for an auto-insertable fuse, holder and adapter assembly.

Specifications are subject to change without notice

Note: 1.00 means the number one with two decimal places. 1,000 means the number one thousand.