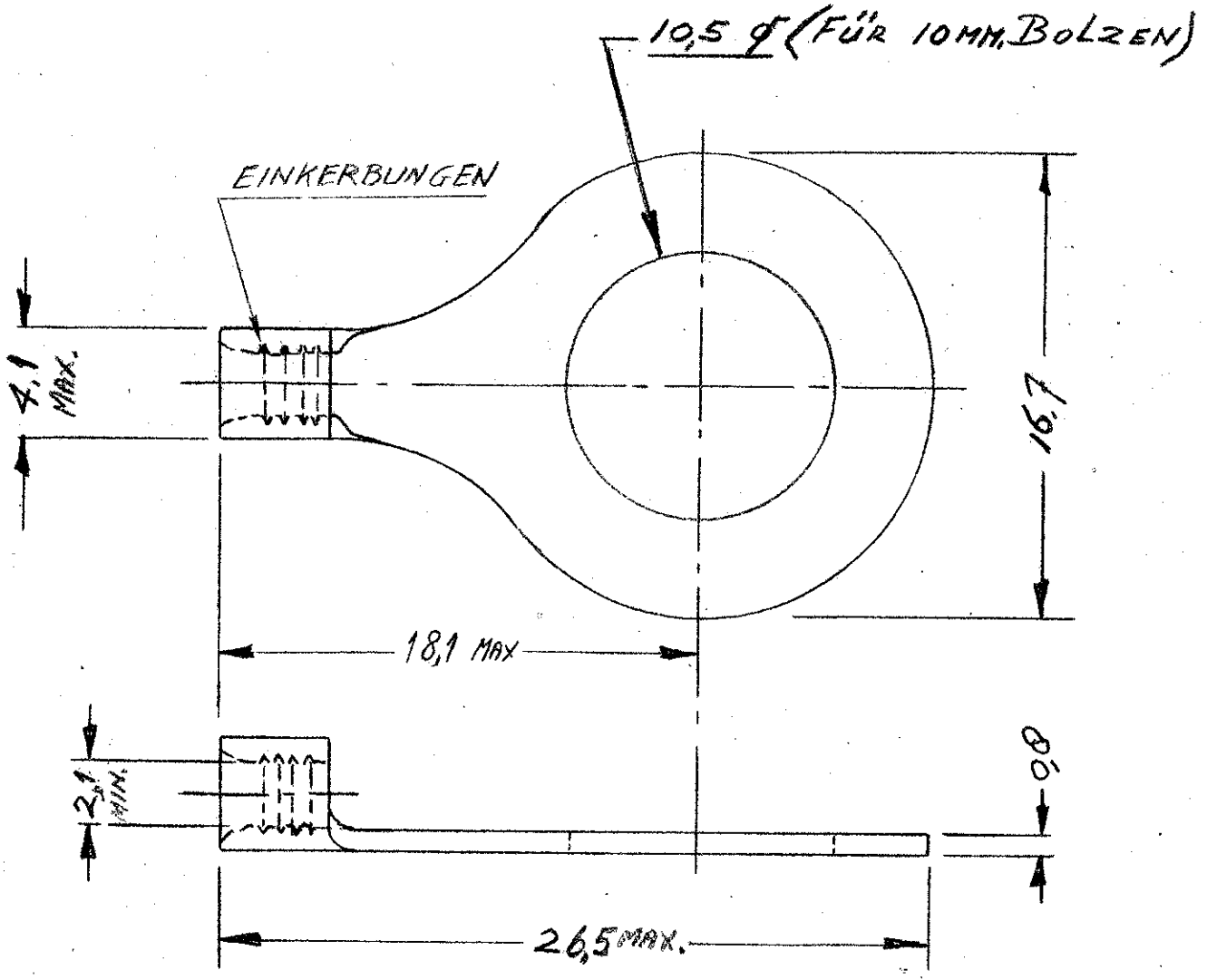


160140-D

DESIGNED ON



CUSTOMER COPY FOR REFERENCE ONLY

MATERIAL: *KUPFER*
 HEAT TREATMENT: *N*
 FINISH: *VERZINNT*

AMP-HOLLAND N.V. 's-HERTOGENBOSCH, HOLLAND.	
<i>KABELSCHUH</i>	
<i>SOLISTRAND</i>	
CLASS <i>RINGZUNGE</i>	
TYPE <i>B5</i>	
SIZE <i>1,0 - 2,6 MM²</i>	
TOLERANCES-ALL DIMENSIONS ± EXCEPT AS NOTED	
SCALE: <i>A-1</i>	<i>C-160140-D</i>

A	REVISED	17/12-64	TR.
No.	ALTERATION	DATE	BY N.D.C.
DR. <i>W. BOTS</i>	<i>7-20/64</i>		APP.
CK.			