

# GP PSLR31.14

DURIS® S 5



## Applications

- Architecture
- Horticulture Lighting

## Features:

- Package: white SMT package, colored diffused silicone resin
- Typ. Radiation: 120° (Lambertian emitter)
- ESD: 4 kV acc. to ANSI/ESDA/JEDEC JS-001 (HBM)
- Radiant Flux: typ. 332 mW
- Radiant Efficiency: typ. 35 %
- Photosynthetic Photon Flux: typ. 1.51  $\mu\text{mol/s}$
- Photon Efficacy: typ. 1.60  $\mu\text{mol/j}$

---

## Ordering Information

Type	Total radiant flux <sup>1)</sup> $I_F = 150 \text{ mA}$ $\Phi_E$	Ordering Code
GP PSLR31.14-TLTM-P1P2-1	325.0 ... 380.0 mW	Q65112A7174

---

## Maximum Ratings

Parameter	Symbol		Values
Operating Temperature	$T_{op}$	min. max.	-40 °C 100 °C
Storage Temperature	$T_{stg}$	min. max.	-40 °C 100 °C
Junction Temperature	$T_j$	max.	125 °C
Forward current	$I_F$	min. max.	10 mA 200 mA
Surge Current $t \leq 10 \mu s$ ; $D = 0.005$ ; $T_j = 25 \text{ °C}$	$I_{FS}$	max.	300 mA
ESD withstand voltage acc. to ANSI/ESDA/JEDEC JS-001 (HBM)	$V_{ESD}$		4 kV

## Characteristics

$I_F = 150 \text{ mA}$ ;  $T_J = 25 \text{ °C}$

Parameter	Symbol		Values
Viewing angle at 50 % $I_V$	$2\phi$	typ.	120 °
Forward Voltage <sup>2)</sup> $I_F = 150 \text{ mA}$	$V_F$	min. typ. max.	6.00 V 6.37 V 6.80 V
Electrical thermal resistance junction/solderpoint with efficiency $\eta_e = 35.5 \%$	$R_{thJS \text{ elec.}}$	typ.	10 K / W

### Brightness Groups

Group	Total radiant flux <sup>1)</sup>	Total radiant flux <sup>1)</sup>	PPF *	PPF *	PPF *	BPF **	BPF **	BPF **
	min. $\Phi_E$	max. $\Phi_E$	min. $\Phi_p$	max. $\Phi_p$	typ. W	min. $\Phi_{p,b}$	max. $\Phi_{p,b}$	typ. W
TL	325.0 mW	350.0 mW	1.48 $\mu\text{mol/s}$	1.59 $\mu\text{mol/s}$	1.60 $\mu\text{mol/J}$	1.68 $\mu\text{mol/s}$	1.81 $\mu\text{mol/s}$	1.82 $\mu\text{mol/J}$
TM	350.0 mW	380.0 mW	1.59 $\mu\text{mol/s}$	1.73 $\mu\text{mol/s}$	1.73 $\mu\text{mol/J}$	1.81 $\mu\text{mol/s}$	1.97 $\mu\text{mol/s}$	1.97 $\mu\text{mol/J}$

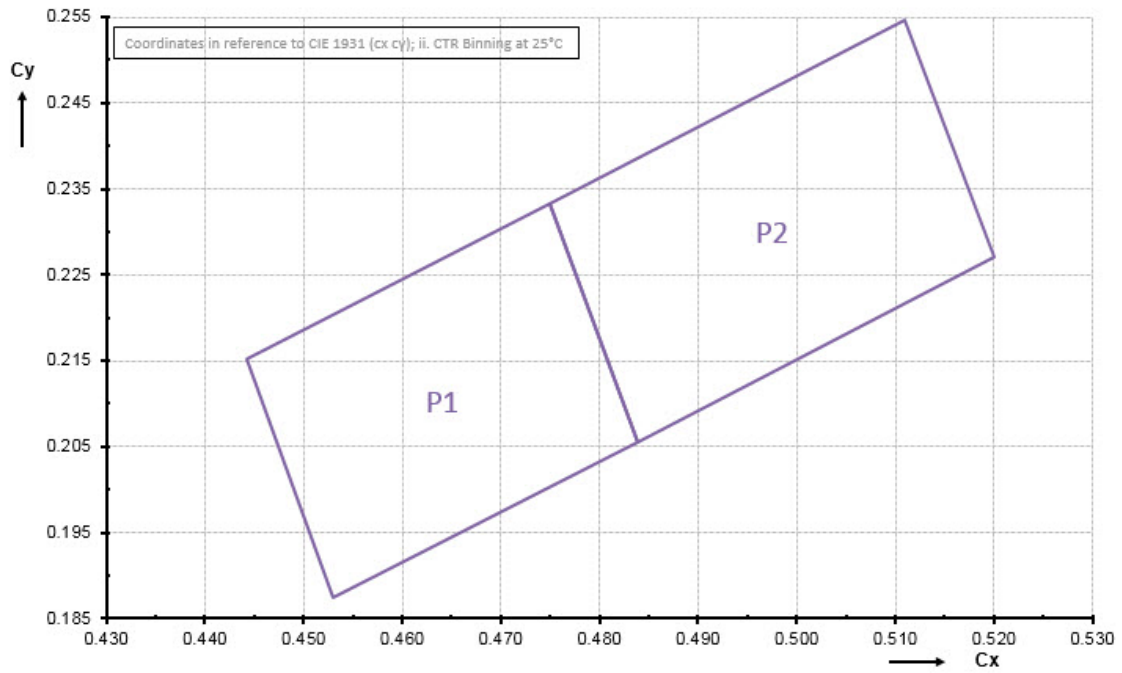
Note: [1] Photosynthetic photon flux (PPF) includes wavelengths between 400 and 700 nm

Note: [2] Plant biologically-active photon flux (BPF) includes wavelengths between 280 and 800 nm

### Forward Voltage Groups

Group	Forward Voltage <sup>2)</sup>	Forward Voltage <sup>2)</sup>
	$I_F = 150 \text{ mA}$ min. $V_F$	$I_F = 150 \text{ mA}$ max. $V_F$
D	6.00 V	6.20 V
E	6.20 V	6.40 V
F	6.40 V	6.60 V
G	6.60 V	6.80 V

### Chromaticity Coordinate Groups <sup>3)</sup>



### Color Chromaticity Groups

Group	Cx	Cy	Group	Cx	Cy
P1	0.4443	0.2152	P2	0.4750	0.2333
	0.4530	0.1875		0.4839	0.2055
	0.4839	0.2055		0.5200	0.2270
	0.4750	0.2333		0.5110	0.2547

---

## Group Name on Label

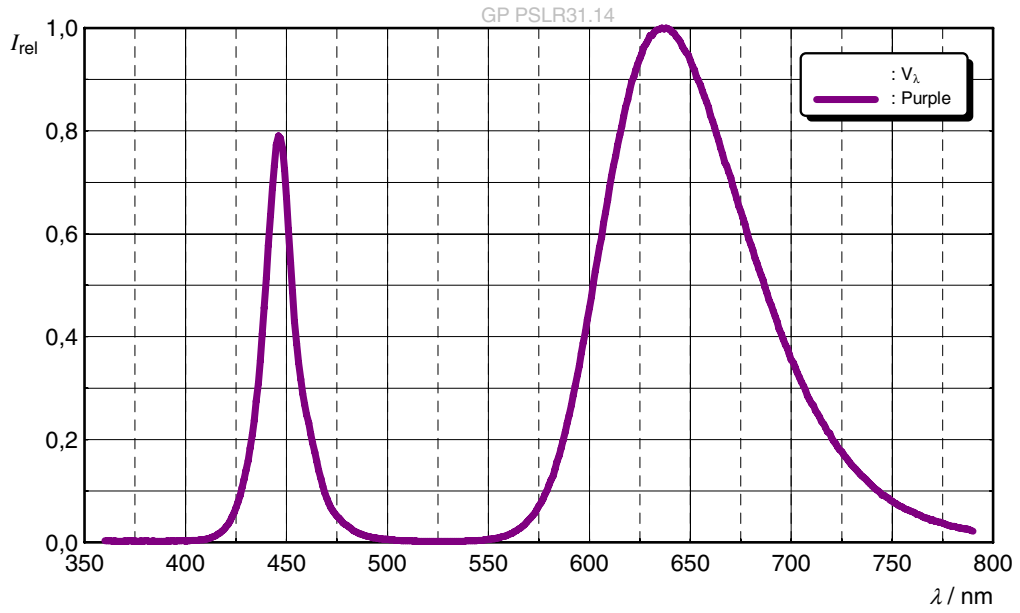
### Example: TL-P1-D

Brightness	Color Chromaticity	Forward Voltage
TL	P1	D

---

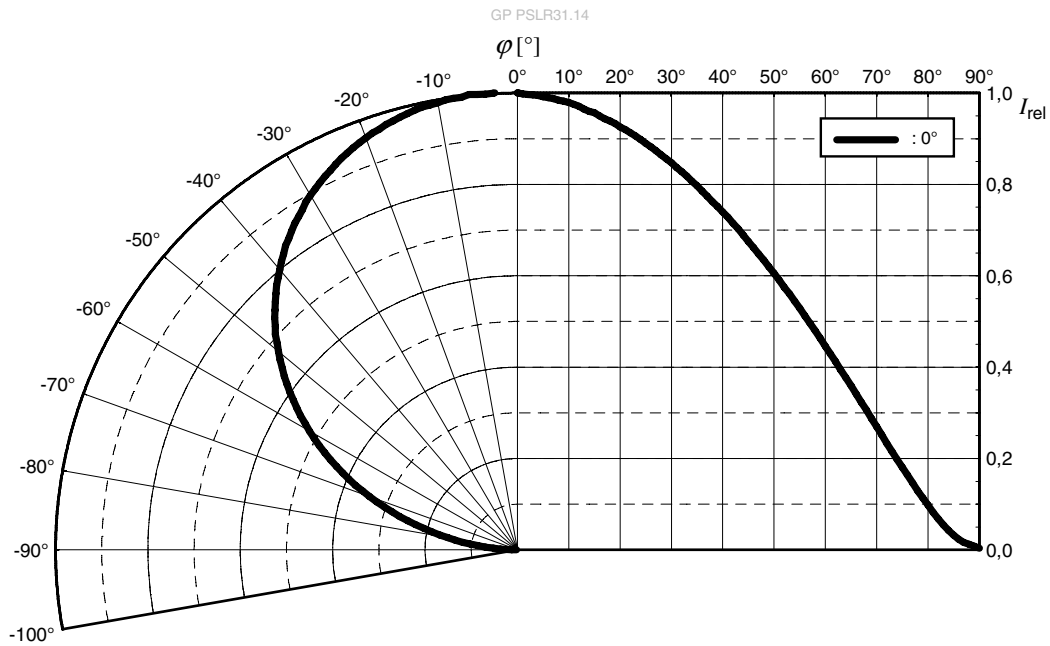
### Relative Spectral Emission <sup>4)</sup>

$I_{rel} = f(\lambda)$ ;  $I_F = 150 \text{ mA}$ ;  $T_J = 25 \text{ }^\circ\text{C}$



### Radiation Characteristics <sup>4)</sup>

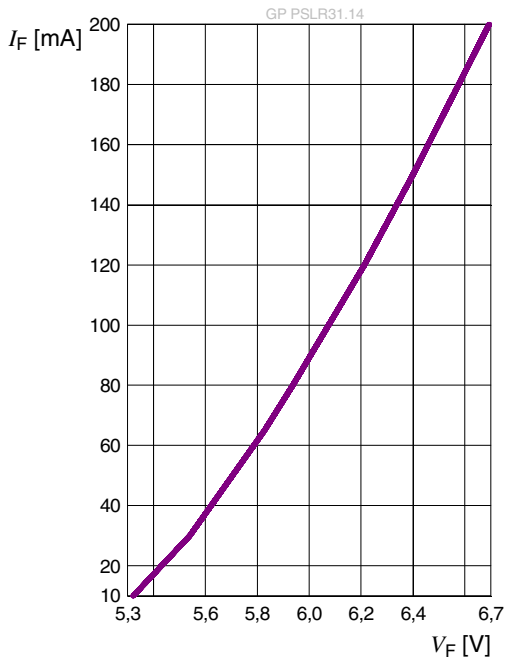
$I_{rel} = f(\phi)$ ;  $T_J = 25 \text{ }^\circ\text{C}$





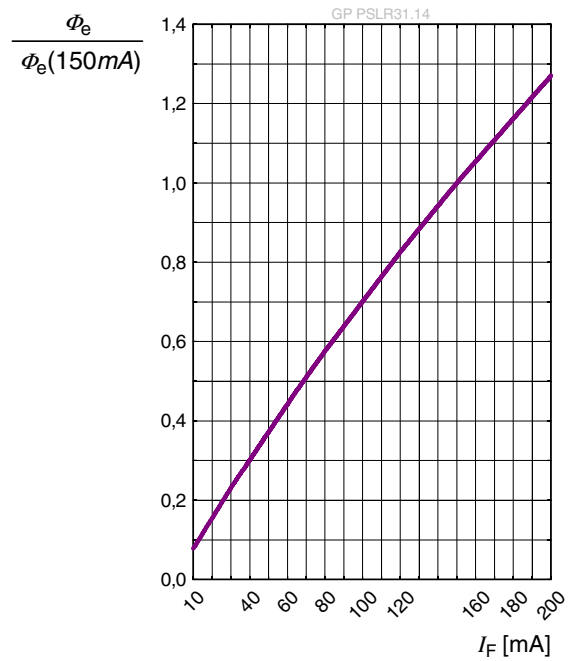
**Forward current** 4), 5)

$I_F = f(V_F); T_J = 25\text{ }^\circ\text{C}$



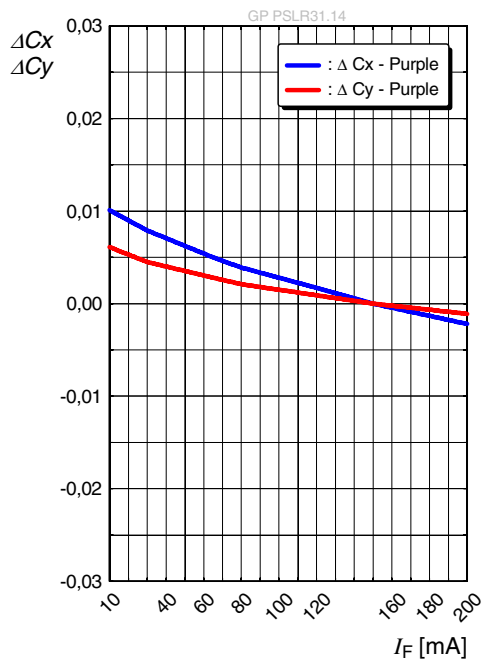
**Relative Radiant Power** 4), 5)

$\Phi_E / \Phi_E(150\text{ mA}) = f(I_F); T_J = 25\text{ }^\circ\text{C}$



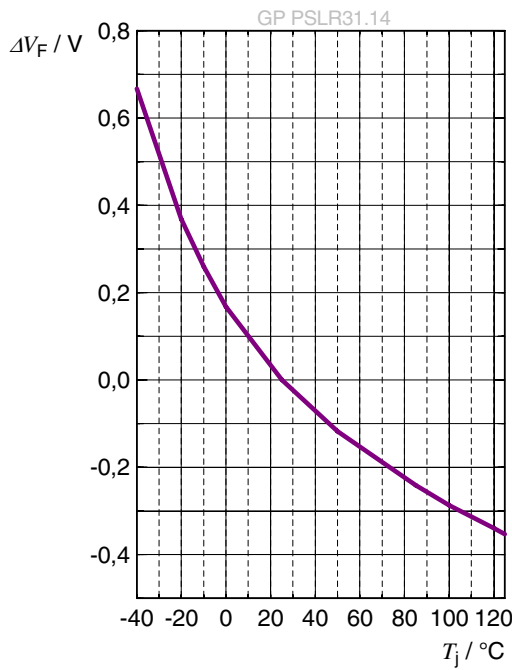
**Chromaticity Coordinate Shift** 4)

$\Delta Cx, \Delta Cy = f(I_F); T_J = 25\text{ }^\circ\text{C}$



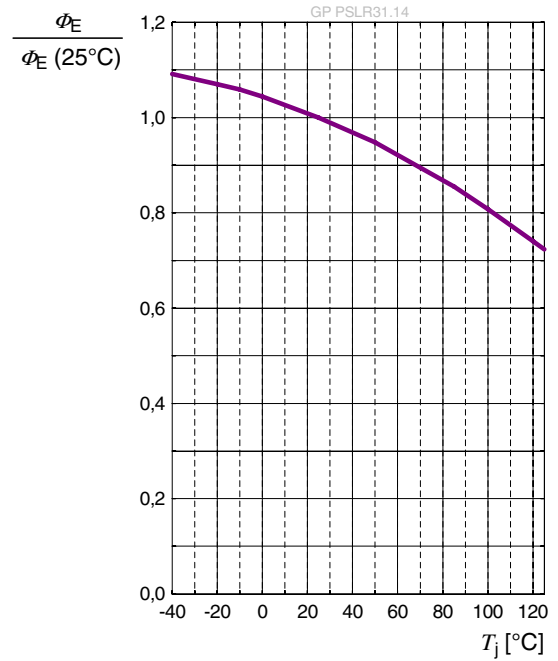
**Forward Voltage** <sup>4)</sup>

$$\Delta V_F = V_F - V_F(25\text{ }^\circ\text{C}) = f(T_j); I_F = 150\text{ mA}$$



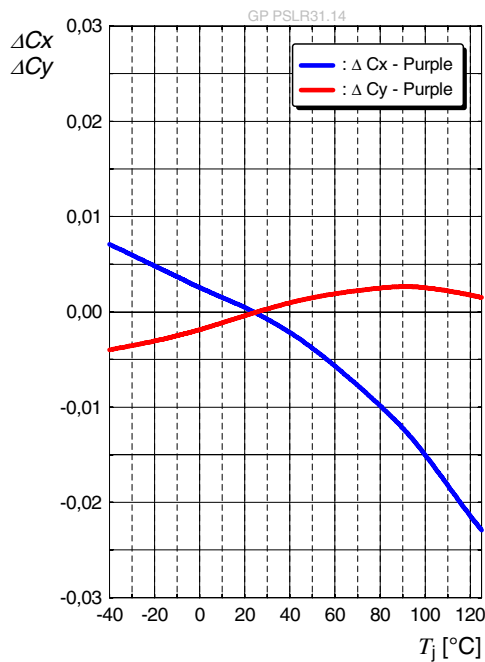
**Relative Radiant Power** <sup>4)</sup>

$$\Phi_E / \Phi_E(25\text{ }^\circ\text{C}) = f(T_j); I_F = 150\text{ mA}$$



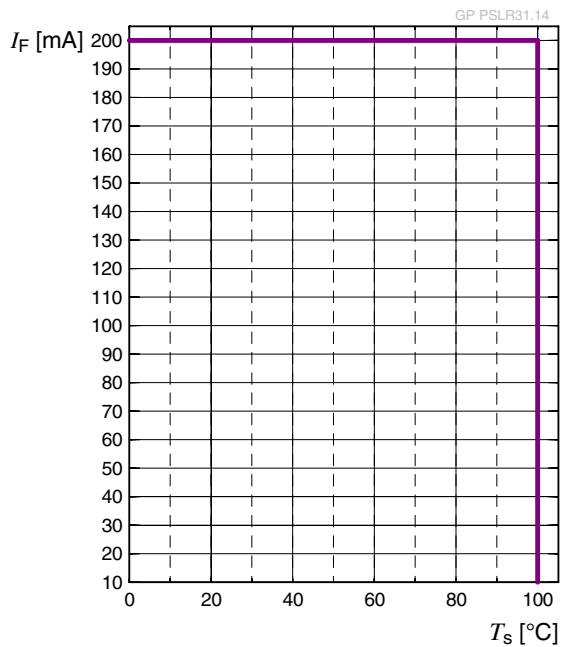
**Chromaticity Coordinate Shift** <sup>4)</sup>

$$\Delta Cx, \Delta Cy = f(T_j); I_F = 150\text{ mA}$$

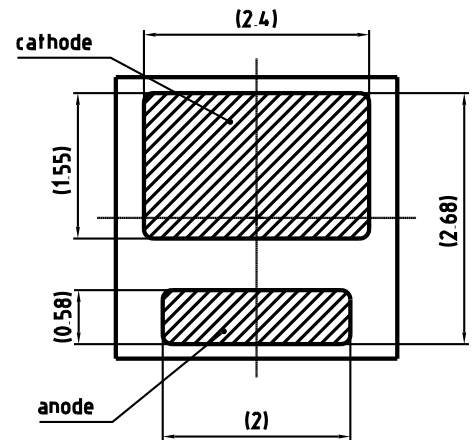
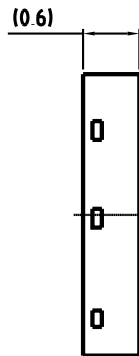
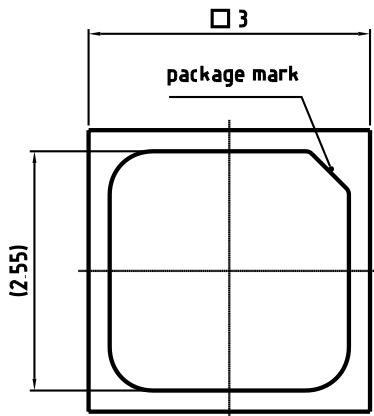


## Max. Permissible Forward Current

$$I_F = f(T)$$



**Dimensional Drawing** <sup>6)</sup>



general tolerance  $\pm 0.1$

lead finish Ag 

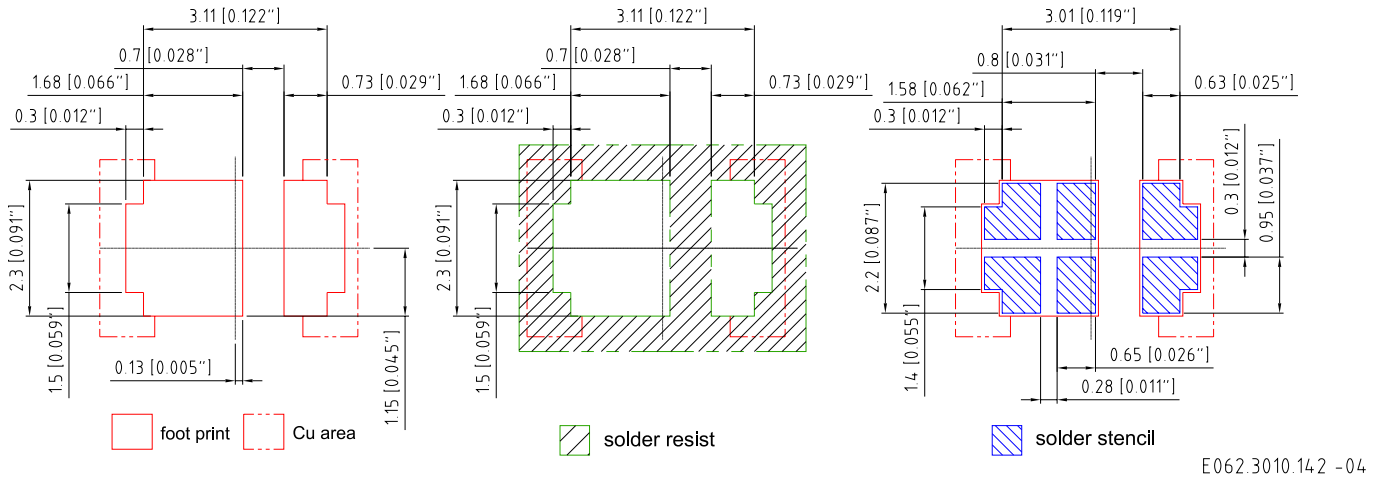
C67062-A0223-A1.-06

**Approximate Weight:** 20.0 mg

**Package marking:** Cathode

**ESD advice:** The device is protected by ESD device which is connected in parallel to the Chip.

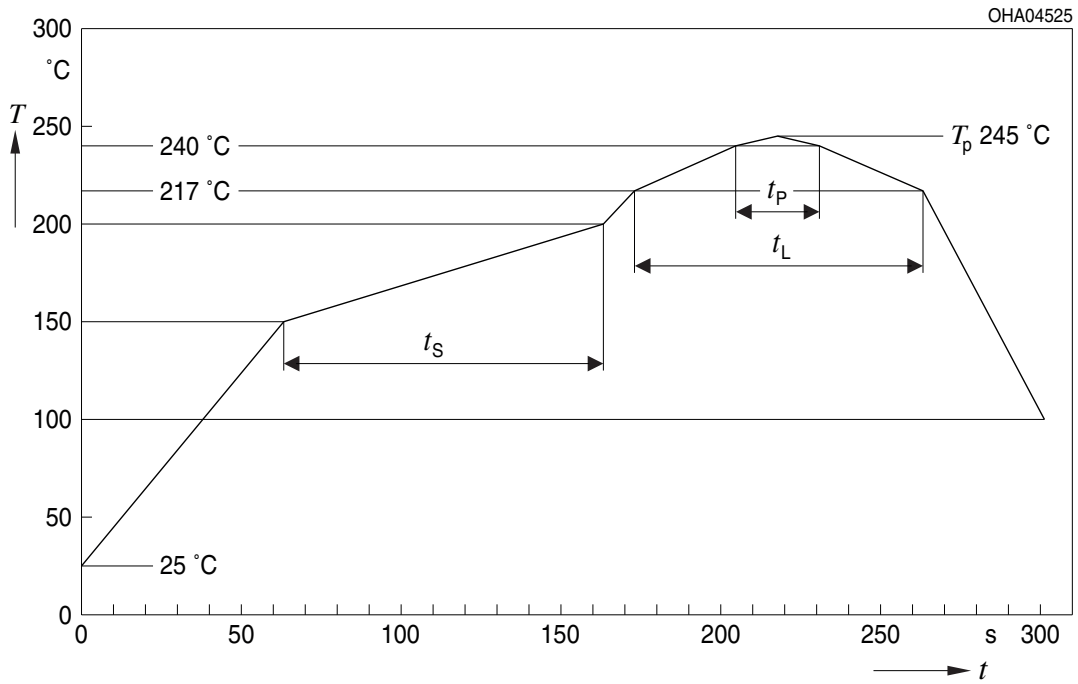
**Recommended Solder Pad** <sup>6)</sup>



For superior solder joint connectivity results we recommend soldering under standard nitrogen atmosphere. Package not suitable for ultra sonic cleaning.

## Reflow Soldering Profile

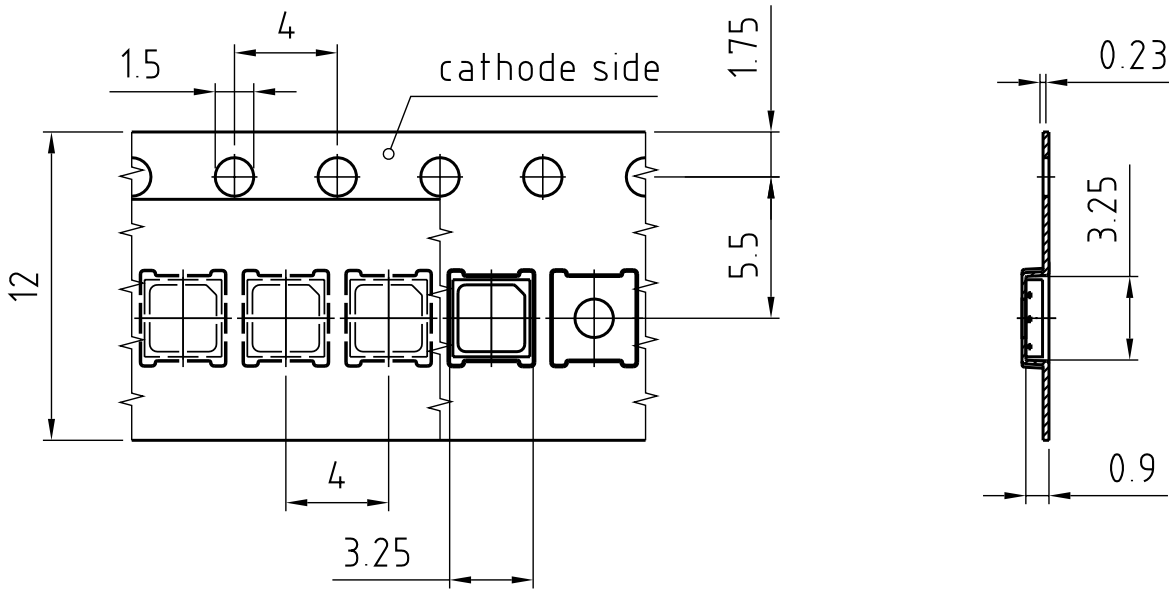
Product complies to MSL Level 3 acc. to JEDEC J-STD-020E



Profile Feature	Symbol	Pb-Free (SnAgCu) Assembly			Unit
		Minimum	Recommendation	Maximum	
Ramp-up rate to preheat <sup>*)</sup> 25 °C to 150 °C			2	3	K/s
Time $t_s$ $T_{Smin}$ to $T_{Smax}$	$t_s$	60	100	120	s
Ramp-up rate to peak <sup>*)</sup> $T_{Smax}$ to $T_p$			2	3	K/s
Liquidus temperature	$T_L$		217		°C
Time above liquidus temperature	$t_L$		80	100	s
Peak temperature	$T_p$		245	260	°C
Time within 5 °C of the specified peak temperature $T_p - 5$ K	$t_p$	10	20	30	s
Ramp-down rate* $T_p$ to 100 °C			3	6	K/s
Time 25 °C to $T_p$				480	s

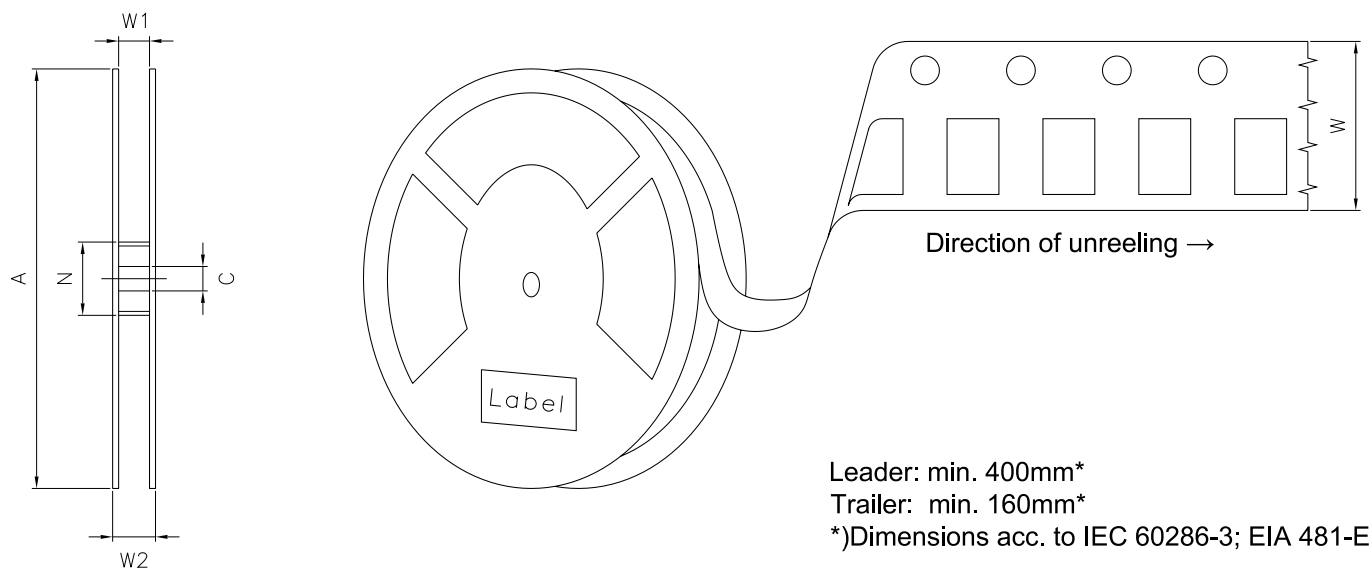
All temperatures refer to the center of the package, measured on the top of the component  
 \*) slope calculation  $DT/Dt$ :  $Dt$  max. 5 s; fulfillment for the whole T-range

Dimensional Drawing <sup>6)</sup>



C67062-A0238-B20-01

## Tape and Reel <sup>7)</sup>



### Reel dimensions [mm]

A	W	N <sub>min</sub>	W <sub>1</sub>	W <sub>2max</sub>	Pieces per PU
180 mm	12 + 0.3 / - 0.1	60	12.4 + 2	18.4	3000



### Barcode-Product-Label (BPL)

**OSRAM Opto Semiconductors** LX XXXX    BIN1: XX-XX-X-XXX-X

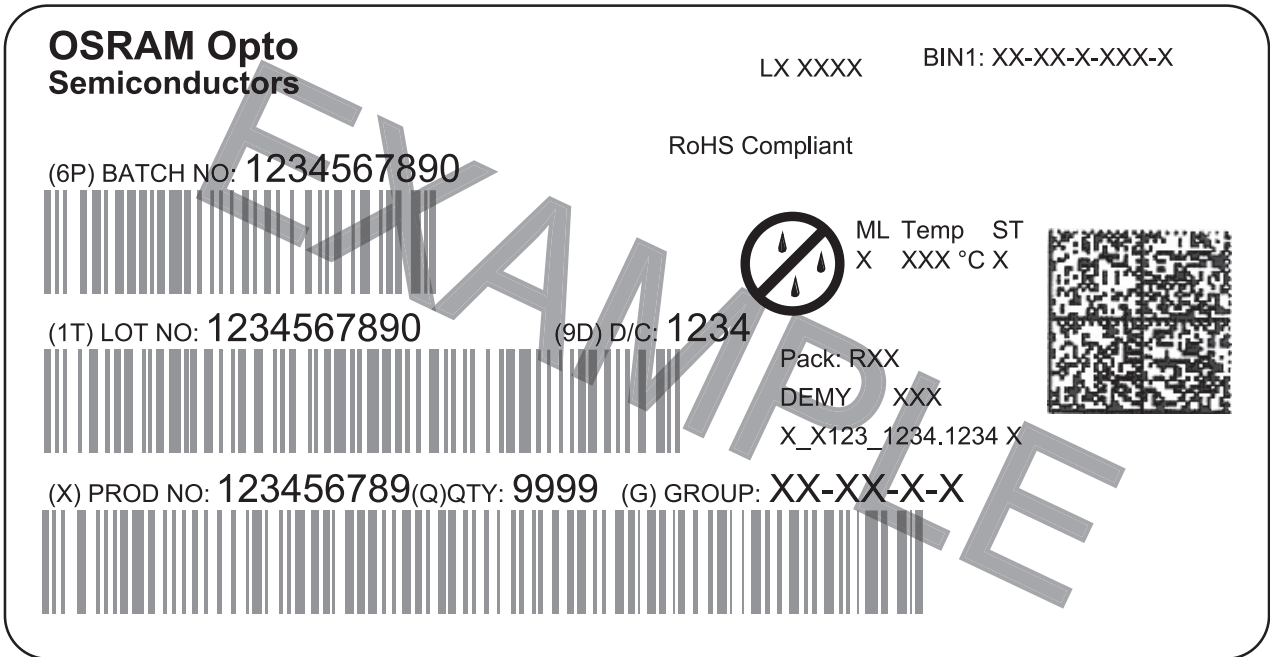
RoHS Compliant

(6P) BATCH NO: 1234567890 ML Temp    ST  
X    XXX °C X

(1T) LOT NO: 1234567890 (9D) D/C: 1234

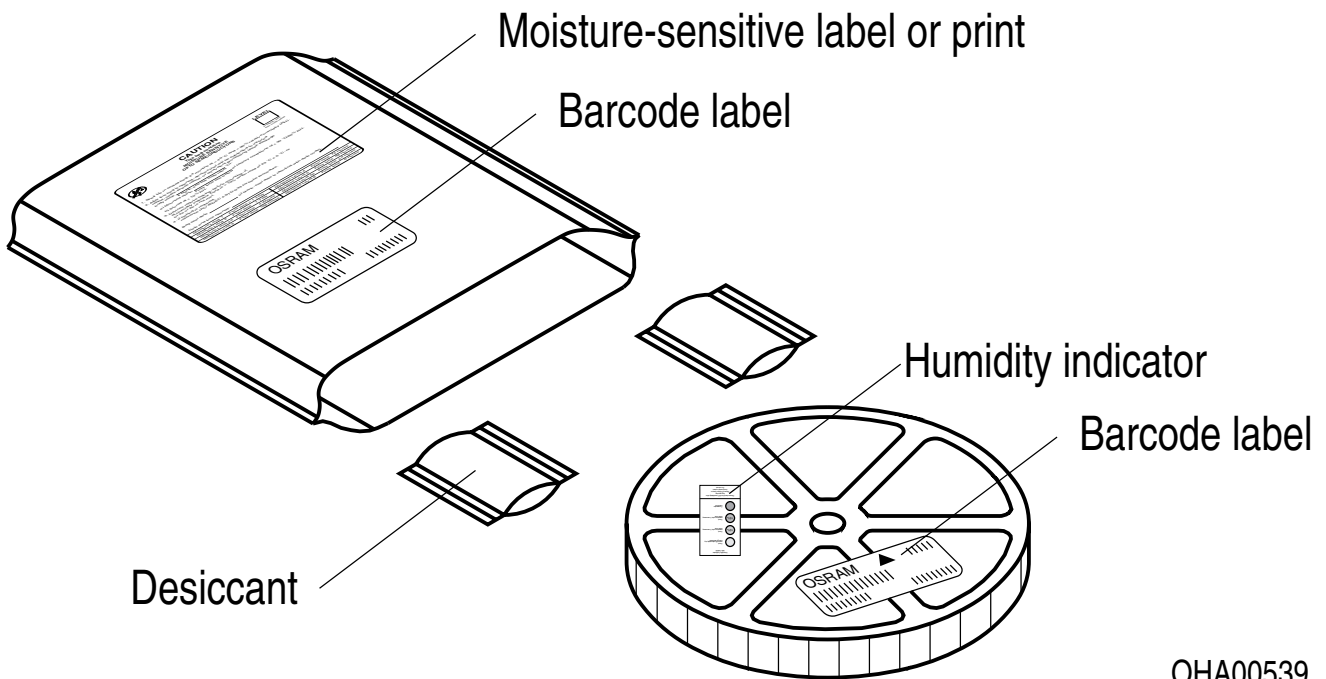
(X) PROD NO: 123456789(Q)QTY: 9999 (G) GROUP: XX-XX-X-X

Pack: RXX  
DEMY    XXX  
X\_X123\_1234.1234 X



OHA04563

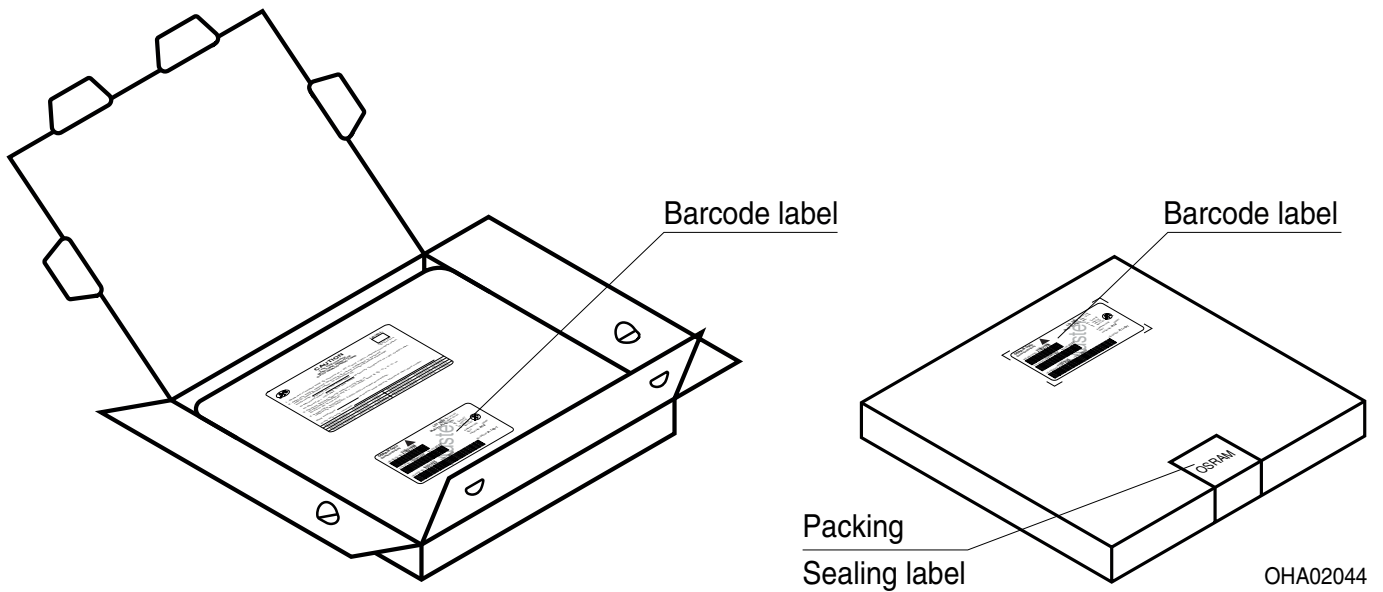
### Dry Packing Process and Materials <sup>6)</sup>



OHA00539

Moisture-sensitive product is packed in a dry bag containing desiccant and a humidity card according JEDEC-STD-033.

## Transportation Packing and Materials <sup>6)</sup>



### Dimensions of transportation box in mm

Width	Length	Height
195 ± 5 mm	195 ± 5 mm	30 ± 5 mm

## Notes

The evaluation of eye safety occurs according to the standard IEC 62471:2006 (photo biological safety of lamps and lamp systems). Within the risk grouping system of this IEC standard, the device specified in this data sheet falls into the class **exempt group (exposure time 10000 s)**. Under real circumstances (for exposure time, conditions of the eye pupils, observation distance), it is assumed that no endangerment to the eye exists from these devices. As a matter of principle, however, it should be mentioned that intense light sources have a high secondary exposure potential due to their blinding effect. When looking at bright light sources (e.g. headlights), temporary reduction in visual acuity and afterimages can occur, leading to irritation, annoyance, visual impairment, and even accidents, depending on the situation.

Subcomponents of this device contain, in addition to other substances, metal filled materials including silver. Metal filled materials can be affected by environments that contain traces of aggressive substances. Therefore, we recommend that customers minimize device exposure to aggressive substances during storage, production, and use. Devices that showed visible discoloration when tested using the described tests above did show no performance deviations within failure limits during the stated test duration. Respective failure limits are described in the IEC60810.

For further application related informations please visit [www.osram-os.com/appnotes](http://www.osram-os.com/appnotes)

## Disclaimer

### Disclaimer

Language english will prevail in case of any discrepancies or deviations between the two language wordings.

### Attention please!

The information describes the type of component and shall not be considered as assured characteristics. Terms of delivery and rights to change design reserved. Due to technical requirements components may contain dangerous substances.

For information on the types in question please contact our Sales Organization.

If printed or downloaded, please find the latest version in the OSRAM OS Webside.

### Packing

Please use the recycling operators known to you. We can also help you – get in touch with your nearest sales office.

By agreement we will take packing material back, if it is sorted. You must bear the costs of transport. For packing material that is returned to us unsorted or which we are not obliged to accept, we shall have to invoice you for any costs incurred.

### Product safety devices/applications or medical devices/applications

OSRAM OS components are not developed, constructed or tested for the application as safety relevant component or for the application in medical devices.

In case Buyer – or Customer supplied by Buyer– considers using OSRAM OS components in product safety devices/applications or medical devices/applications, Buyer and/or Customer has to inform the local sales partner of OSRAM OS immediately and OSRAM OS and Buyer and /or Customer will analyze and coordinate the customer-specific request between OSRAM OS and Buyer and/or Customer.

## Glossary

- 1) **Brightness:** Brightness values are measured during a current pulse of typically 10 ms, with a tolerance of +/- 7%.
- 2) **Forward Voltage:** The Forward voltage is measured during a current pulse duration of typically 1 ms with a tolerance of  $\pm 0.05V$ .
- 3) **Chromaticity coordinate groups:** Chromaticity coordinate groups are measured during a current pulse duration of typically 10ms with a tolerance of  $\pm 0.005$ .
- 4) **Typical Values:** Due to the special conditions of the manufacturing processes of semiconductor devices, the typical data or calculated correlations of technical parameters can only reflect statistical figures. These do not necessarily correspond to the actual parameters of each single product, which could differ from the typical data and calculated correlations or the typical characteristic line. If requested, e.g. because of technical improvements, these typ. data will be changed without any further notice.
- 5) **Characteristic curve:** In the range where the line of the graph is broken, you must expect higher differences between single devices within one packing unit.
- 6) **Tolerance of Measure:** Unless otherwise noted in drawing, tolerances are specified with  $\pm 0.1$  and dimensions are specified in mm.
- 7) **Tape and Reel:** All dimensions and tolerances are specified acc. IEC 60286-3 and specified in mm.

Published by OSRAM Opto Semiconductors GmbH EU RoHS and China RoHS compliant product  
Leibnizstraße 4, D-93055 Regensburg  
www.osram-os.com © All Rights Reserved.



此产品符合欧盟 RoHS 指令的要求；  
按照中国的相关法规和标准，不含有毒有害物质或元素。