



Brand of NTN Group

Technical data

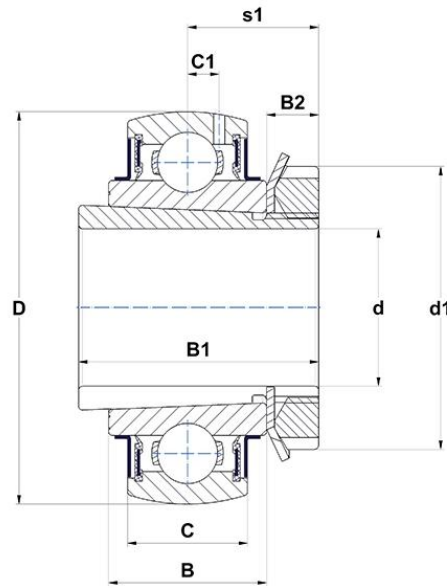
UK.310G2H

Insert bearings



Spherical outer diameter, fixing by adapter sleeve, seal with slinger

VISUAL (S)



PRODUCT DEFINITION

| | |
|---|--------|
| Brand | SNR |
| B - Width of Inner Ring | 40 mm |
| B1 - Overall width Inner Ring | 55 mm |
| B2 - Width of eccentric locking collar/nut | 12 mm |
| C - Width of Outer Ring | 32 mm |
| C1 - Distance center of OR to center of lubrication zone | 9,9 mm |
| d - Shaft diameter | 45 mm |
| d1 - Outer dia of eccent. Lock. collar / nut of adapter sleeve | 70 mm |



NTN Europe

1 rue des Usines · BP 2017 · 74010 Annecy Cedex · France · Tel. +33 (0)4 50 65 30 00
S.A. au capital de 322 639 919 € · RCS ANNECY B 325 821 072 · Id. Fiscale : FR 48 325 821 072
SIRET 325 821 072 00015 · Code APE 2815 Z · Code NACE 28.15

PRODUCT DEFINITION

| | |
|---------------------------------|--------|
| D - Outer diameter of OR | 110 mm |
| f0 - Factor | 13 |

PRODUCT PERFORMANCE

| | |
|-----------------------------------|-------------|
| C - Dynamic load rating | 62000000 mN |
| C0 - Static load rating | 37800000 mN |
| Operating temperature min. | 253,15 °K |
| Operating temperature max. | 373,15 °K |

OTHER FEATURES

| | |
|-----------------------------------|---------|
| Mass | 1,69 kg |
| Adapter sleeve designation | H2310 |

BEARING FREQUENCIES

| | |
|---|-----------|
| BPFO - Over rolling frequency on outer ring (60 rpm) | 3.053 Hz |
| BPFI - Over rolling frequency on inner (60 rpm) | 4.947 Hz |
| BSF - Over rolling frequency on rolling element (60 rpm) | 3.989 Hz |
| BRF - Rotational frequency - rolling element (60 rpm) | 1.9945 Hz |
| FTF - Rotational frequency - cage (60 rpm) | 0.382 Hz |

