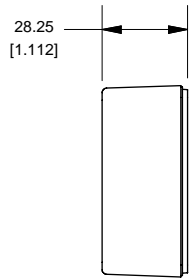
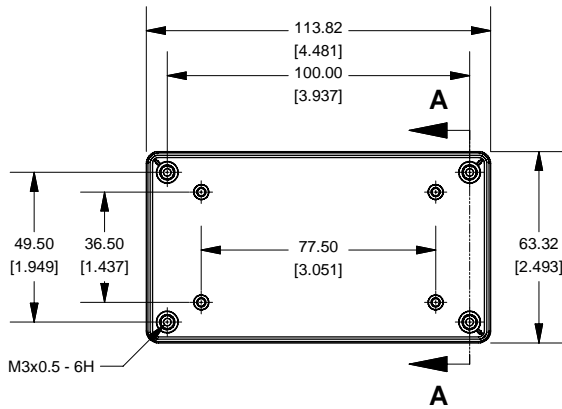


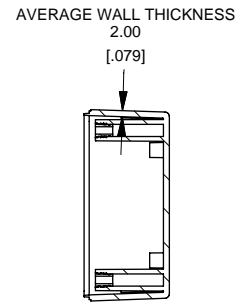
1591XXBS Enclosure



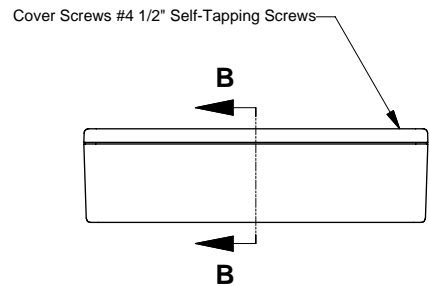
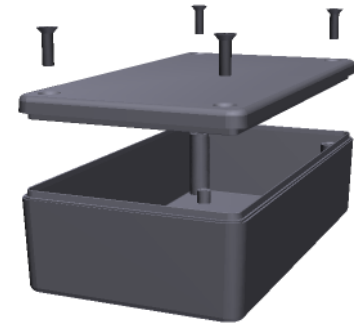
SIDE VIEW OF BOX



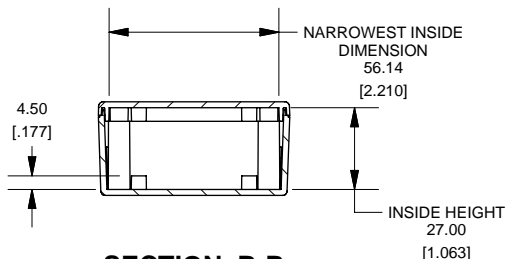
TOP VIEW OF BOX



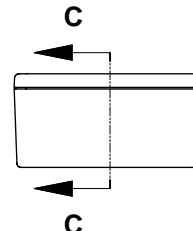
SECTION A-A



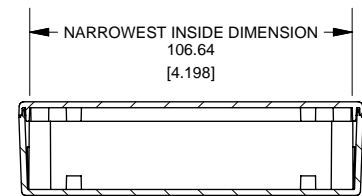
SIDE VIEW OF ENCLOSURE



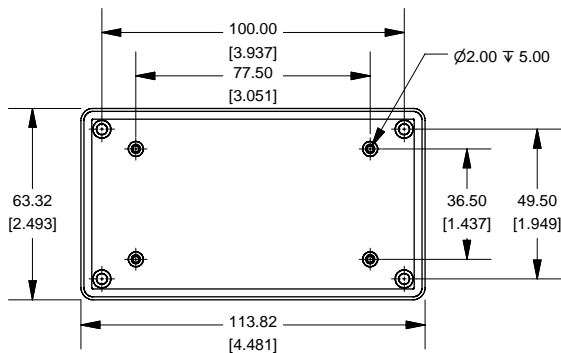
SECTION B-B



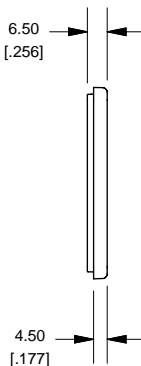
END VIEW OF ENCLOSURE



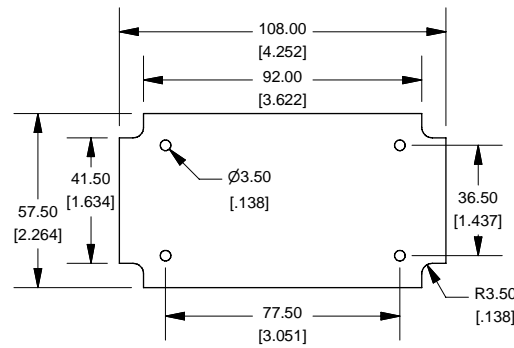
SECTION C-C



BOTTOM VIEW OF LID



SIDE VIEW OF BOX



Max Size PCB. Fits in Box or in Lid.
Not supplied with Enclosure

Note:

Enclosures can be Factory Modified (Milling, Drilling, Printing etc.)
Solid models of this enclosure available in STEP or IGES.
Contact Factory mjm@hammondmfg.com

| NOTE | |
|---|--|
| Enclosure molded from GPABS UL-94HB plastic | |
| Other materials / colours available. Consult factory. | |

| 1591XXBS | |
|--------------------------------|----------------------|
| 1591XXBS Enclosure | |
| Black - RAL 7011 | 1591XXBSBK |
| ACCESSORIES | |
| Black Cover Screws | 1591TS100BK |
| PCB Screws | 1593ATS50 (pkg 50) |
| #4 x 1/4" self-tapping (6.4mm) | 1593ATS100 (pkg 100) |

