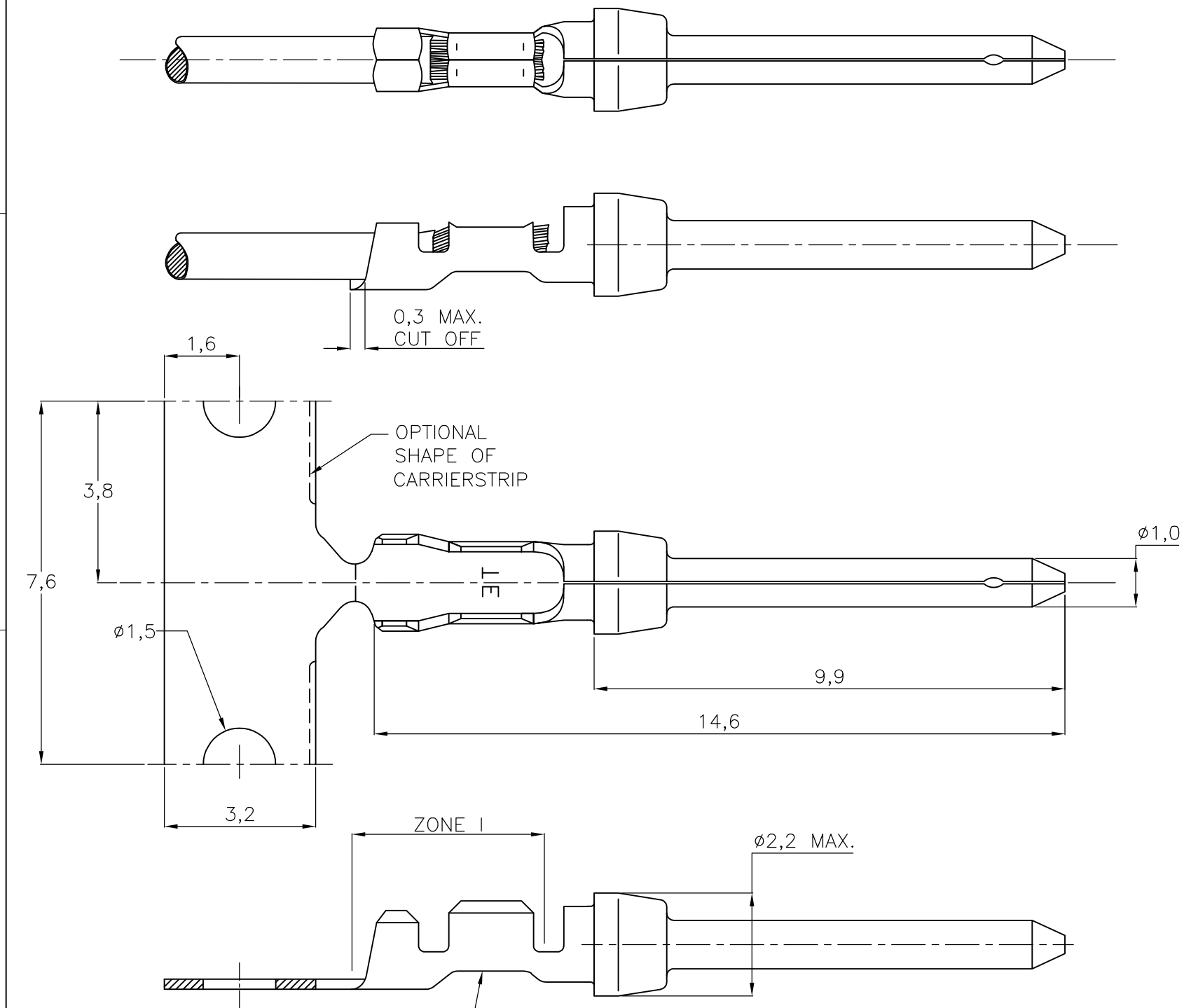


THIS DRAWING IS UNPUBLISHED. RELEASED FOR PUBLICATION
 © COPYRIGHT - By - ALL RIGHTS RESERVED.

LOC	DIST	REVISIONS			
P	LTR	DESCRIPTION	DATE	DWN	APVD
		W2	REVISED PER ECO-11-005294	02APR11	RK HMR

NOTES:

- △1 FOR MINI-APPLICATOR-12500 PCS REEL.
- △2 FOR REEL-FEED HAND TOOLING-500 PCS REEL.
- △3 FOR HAND TOOLING- LOOSE PIECE.
- 4. MATERIAL: BRASS.
- △5 FINISH:
 - Ni UNDERPLATING ALL OVER.
 - CONTACT AREA PLATING MEETS IEC-807-3 PERFORMANCE LEVEL 2.
 - CRIMP ZONE Sn PLATED.



WIRE RANGE: 24-28 AWG(0,08-0,22mm²)
 INSUL. RANGE: 0,76 - 1,02 mm DIA.

BLUE COLOR CODE
 (LOOSE-PIECE ONLY)

THIS DRAWING IS A CONTROLLED DOCUMENT.

DIMENSIONS: mm	TOLERANCES UNLESS OTHERWISE SPECIFIED:
	0 PLC ± -
	1 PLC ± 0,127
	2 PLC ± -
	3 PLC ± -
	4 PLC ± -
	ANGLES ± -
MATERIAL	FINISH
-	-

△5	166294-1	5-166054-1	166054-1
FINISH	LOOSE PIECE △3	PART NUMBER △2	PART NUMBER △1
DWN	-	STE TE Connectivity	
CHK	09SEP08		
APVD	09SEP08	NAME	
PRODUCT SPEC	108-40005		
APPLICATION SPEC	114-10000		
WEIGHT	-	SIZE	RESTRICTED TO
CUSTOMER DRAWING		A3 00779	-
SCALE		DRAWING NO	REV
NTS		C-166054	W2
SHEET		1 OF 1	