

**Vacuum pumps
-0,87 bar**

Fast response
Compact, lightweight
Low sound level
Compressed air driven
Simple installation
Standard and non-return valve types



Technical data

Medium:
 Compressed air, filtered and non-lubricated
Operation:
 Multi ejektor system
Operating pressure:
 6 bar max.
Vacuum:
 - 0,87 bar max.
Operating temperature:
 +80°C for M/58102/10 to M/58102/30
 +60°C for M/58102/60 to M/58102/120
Sound level:
 75 to 80 dB (A)

Materials:

M/58102/10 to M/58102/30
 Vacuum chips: ABS with 30% fibreglass,
 Sub base: aluminium
 Seals: nitrile rubber
 M/58102/60 to M/58102/120
 Housing: aluminium
 End caps: ABS
 Mountings: steel
 Seals: nitrile rubber or polyurethane

Ordering examples

To order avacuum pump with 80 NI/min
 induced air at 6 bar operating pressure
 Quote: **M/58102/10**

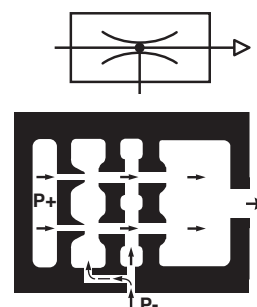
To order avacuum pump with 910 NI/min
 induced air at 6 bar operating pressure
 Quote: **M/58102/120**

Alternative variants:

See page 2

Accessories

Electric vacuum switch	See page N/UK 4.3.111
Elektronik vacuum switch	N/UK 4.3.121
Bellows suction cups	N/UK 3.5.031
Flat suction cups	N/UK 3.5.011



Alternative variants

Symbol	Type	Description
	M/58102/N	Vacuum pumps with non-return valve

Tube dimension

Recommended tube dimensions (internal diameter)

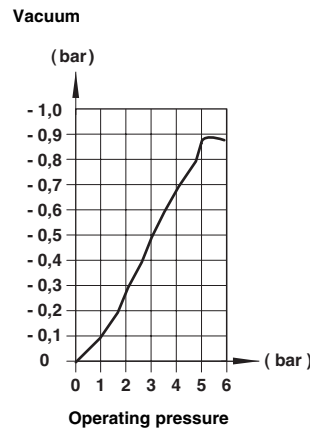
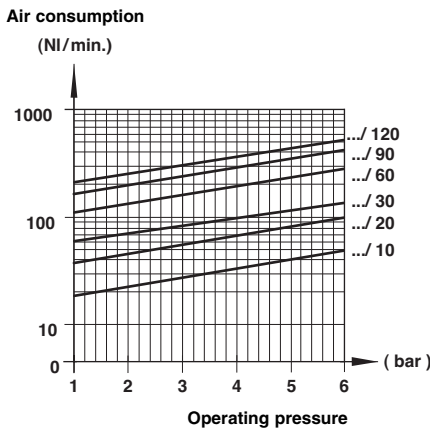
Type	Compressed air	Vacuum	Exhaust
M/58102/10	> Ø 3	> Ø 7	> Ø 9
M/58102/20	> Ø 3	> Ø 7	> Ø 9
M/58102/30	> Ø 4	> Ø 9	> Ø 9
M/58102/60	> Ø 4	> Ø 19	-
M/58102/90	> Ø 5	> Ø 19	-
M/58102/120	> Ø 5	> Ø 22	-

Weight (kg)

Type	Weight	Silencer	Vacuum gauge
M/58102/10	0,080	0,010	0,063
M/58102/20	0,095		
M/58102/30	0,110		
M/58102/60	0,855		
M/58102/90	1,105		
M/58102/120	1,150		

Characteristics

(All values given apply to an atmospheric pressure of 1013 mbar)



Induced air (NI/min), free air

Type	0	- 0,1	- 0,2	- 0,3	- 0,4	- 0,5	- 0,6	- 0,7	- 0,8
M/58102/10	80	55	32	28	25	18	13	5	1,5
M/58102/20	160	110	64	56	50	36	26	10	3
M/58102/30	240	165	96	84	75	54	39	15	4,5
M/58102/60	480	270	182	168	150	108	78	30	9
M/58102/90	708	427	273	252	225	162	117	45	13,5
M/58102/120	910	568	355	336	300	216	156	60	18

Note: values given in the tables are theoretical and apply to an operating pressure of 6 bar

Time (sec) for evacuation of 1 litre volume to vacuum

Type	- 0,1	- 0,2	- 0,3	- 0,4	- 0,5	- 0,6	- 0,7	- 0,8	0,85
M/58102/10	0,070	0,200	0,450	0,750	1,150	1,730	2,610	4,130	5,820
M/58102/20	0,035	0,100	0,230	0,370	0,570	0,860	1,320	2,070	2,920
M/58102/30	0,023	0,070	0,150	0,250	0,380	0,580	0,870	1,380	1,940
M/58102/60	0,012	0,034	0,080	0,120	0,190	0,290	0,440	0,690	0,970
M/58102/90	0,007	0,023	0,050	0,080	0,130	0,190	0,290	0,460	0,650
M/58102/120	0,006	0,017	0,040	0,060	0,100	0,150	0,220	0,350	0,490

Warning

These products are intended for use in industrial compressed air systems only. Do not use these products where pressures and temperatures can exceed those listed under 'Technical Data'.

Before using these products with fluids other than those specified, for non-industrial applications, life-support systems, or other applications not within published specifications, consult NORGREN.

Through misuse, age, or malfunction, components used in fluid power systems can fail in various modes.

The system designer is warned to consider the failure modes of all component parts used in fluid power systems and to provide adequate safeguards to prevent personal injury or damage to equipment in the event of such failure.

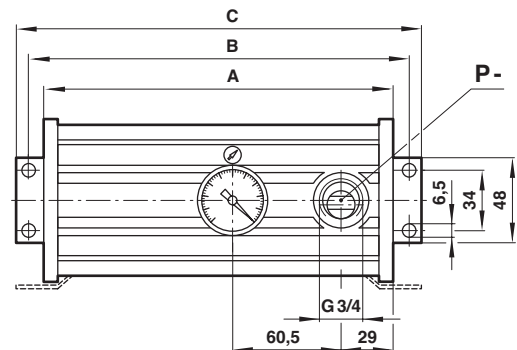
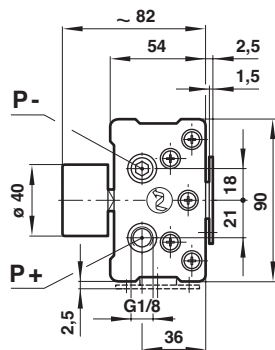
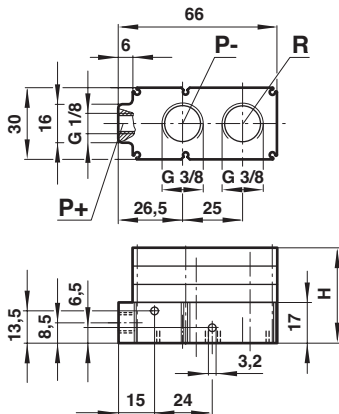
System designers must provide a warning to end users in the system instructional manual if protection against a failure mode cannot be adequately provided.

System designers and end users are cautioned to review specific warnings found in instruction sheets packed and shipped with these products.

Basic dimensions

M/58102/10 to M/58102/30
M/58102/N/10 to M/58102/N/30

M/58102/60 to M/58102/120
M/58102/N/60 to M/58102/N/120

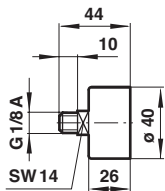


Type	H
M/58102/10	24,5
M/58102/20	32
M/58102/30	39,5

Type	A	B	C
M/58102/60	136	154	168
M/58102/90	196	214	228
M/58102/120	196	214	228

Vacuum gauge

Type: **M/58080**
Instrument range: 0 to -1 bar



Silencer

Type: **M/58019**

