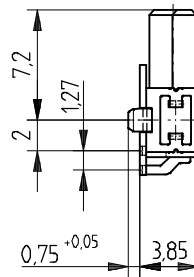
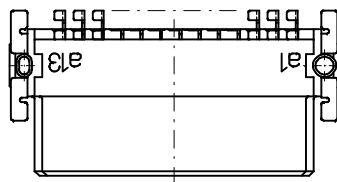
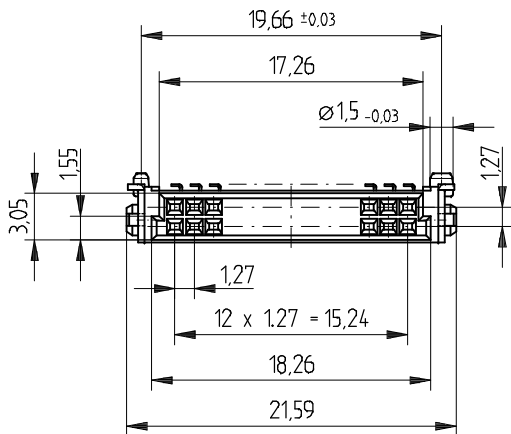
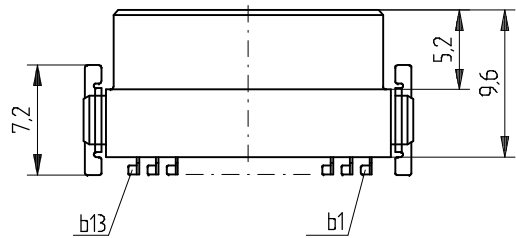
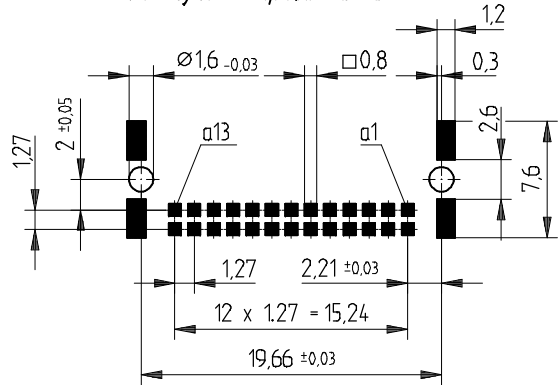
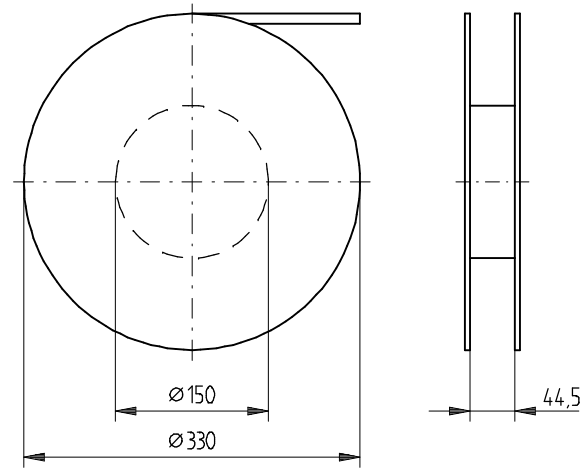


Leiterplatten-Layout Vorschlag für SMT  
PCB-Layout Proposal for SMT

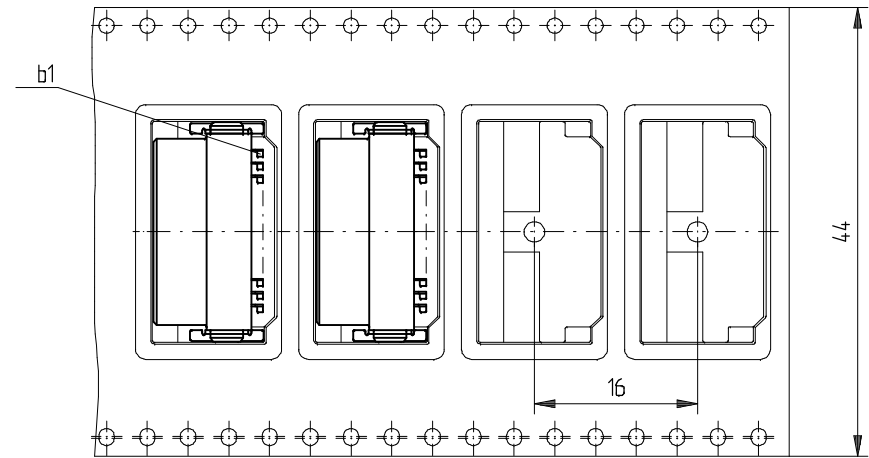


Anforderungsstufe 1  
Performance Level 1  
Kontaktbereich vergoldet  
Mating Area gold plating  
Anschlussbereich verzinkt 4-6 µm  
Terminal Area 4-6 µm tin plating  
Koplanarität der Anschlüsse ≤ 0.1mm  
Coplanarity Area of Termination ≤ 0.1 mm

Verpackt in Gurtverpackung - Tape on Reel Packaging  
Verpackungseinheit: 560 Stück - Packaging unit: 560 pcs



Abspulrichtung - Reel off Direction



BA7-03 - Standard Bauhöhe  
type7-03 - Standard Assembly Height

Information:	Tolerances	 All Dimensions in mm	Scale 3:1
	All rights reserved. Only for information. To insure that this is the latest version of this drawing, please contact one of the ERNI companies before using.		Subject to modification without prior notice. Drawing will not be updated.
Consider protection memo from DIN 34	www.ERNI.com	Designation Federl. SMC-Q 26-SMD-BA7-03 Female SMC-Q 26-SMD-type7-03	154741
Index	Date	V:00039948.S2N	SMCQ