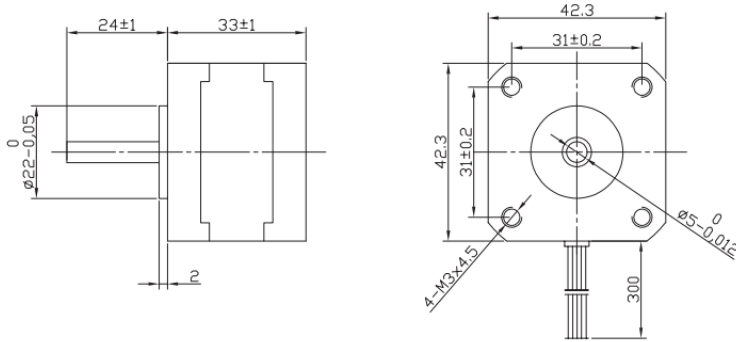


Datasheet

RS Pro High Torque Hybrid Stepper Motor

Stock No: 535-0372



Characteristics

Resistance Accuracy

± 10%

Inductance Accuracy

± 20%

Temperature Rise

80°C max. (rated current, 2 phase on)

Ambient Temperature

-20°C to +50°C

Insulation Resistance

100 M Ω min., 500 Vdc

Dielectric Strength

500 Vac for one minute

Shaft Radial Play

0.02 max. (450 g-load)

Shaft Axial Play

0.08 max. (450 g-load)

Connection

Lead N°	Colour	Gauge	Function
1	Black	UL1430 AWG26	Phase A
2	Green	UL1430 AWG26	Phase A-
3	Red	UL1430 AWG26	Phase B
4	Blue	UL1430 AWG26	Phase B-
Unipolar Motor			
5	Yellow	UL1430 AWG26	Com Phase A
6	White	UL1430 AWG26	Com Phase B

Specifications

Step Angle		1.8
Step Angle Accuracy (Full Step, No Load)	%	±5
Rated Voltage	V	2.8
Current/Phase	A	1.33
Resistance/Phase	Ω	2.1
Inductance/Phase	MH	2.5
Detent Torque	mNm	
Holding Torque	Ncm	0.22
Rotor Inertia	G-CM ²	35
Weight	Kg	0.22
Number of Leads	N°.	4