

Plug 'n' Play compact axial fans

Complete with mountings and connector

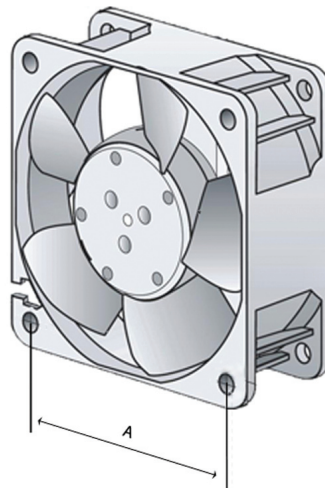


- DC fans
- Plastic housing
- Ideal for PC cooling
- Molex connector fitted
- Threaded inserts for easy mounting
- Connection via lead 313mm (+/- 10mm)
- Threaded brass inserts fitted on both sides
- Blowing over struts
- Protection IP20

Part Number	Airflow m³/h	Airflow CFM	Voltage VDC	Voltage Range VDC	Noise dB(A)	Sound Power Bel	Bearings	Power W	Speed RPM	Temp range °C	Length mm	Width mm	Depth mm	Insert thread size	Connector
412F-RS0	8	4.7	12	10...14	22.1	4.4	Sleeve	0.7	5400	-20...+70	40	40	10	M3	Molex 22-01-2025
414F-RS0	8	4.7	24	20...28	22.1	4.4	Sleeve	0.8	5400	-20...+70	40	40	10	M3	Molex 22-01-2025
412H-RS0	13.5	7.9	12	10...14	29	4.7	Sleeve	1.6	8100	-20...+60	40	40	20	M3	Molex 22-01-2025
414-RS0	10	5.9	24	20...28	18	3.8	Sleeve	1	6000	-20...+70	40	40	20	M3	Molex 22-01-2025
414H-RS0	13.5	7.9	24	20...26.5	29	4.7	Sleeve	1.6	8100	-20...+60	40	40	20	M3	Molex 22-01-2025
612NGM-RS0	35	20.6	12	8...15	28	4.6	Sleeve	1.6	4100	-20...+70	60	60	25	M3	Molex 22-01-2025
614NGM-RS0	35	20.6	24	18...28	28	4.6	Sleeve	1.7	4100	-20...+70	60	60	25	M3	Molex 22-01-2025
614NGN-RS0	41	24.1	24	18...28	35	5.2	Sleeve	2.1	5100	-20...+70	60	60	25	M3	Molex 22-01-2025
8412NGH-RS0	79	46.5	12	8...15	37	5	Sleeve	2.8	3600	-20...+70	80	80	25	M3	Molex 22-01-2025
8414NGM-RS0	58	34.1	24	18...28	26	4.3	Sleeve	1.4	2600	-20...+70	80	80	25	M3	Molex 22-01-2025
8414NG-RS0	69	40.6	24	18...28	32	4.7	Sleeve	2	3100	-20...+70	80	80	25	M3	Molex 22-01-2025
8414N-RS0	69	40.6	24	18...28	32	4.7	Ball	2	3100	-20...+70	80	80	25	M3	Molex 22-01-2025
8414NGH-RS0	79	46.5	24	18...26	37	5	Sleeve	2.8	3600	-20...+70	80	80	25	M3	Molex 22-01-2025
8414NH-RS0	79	46.5	24	18...26	37	5	Ball	2.4	3600	-20...+70	80	80	25	M3	Molex 22-01-2025
8314H-RS0	80	47.1	24	12...28	48	6.2	Ball	6.0	5000	-20...+75	80	80	32	M3	Molex 22-01-2025
3412N-RS0	84	49.4	12	8...15	32	4.7	Ball	2.2	2700	-20...+70	92	92	25	M3	Molex 22-01-2025
3414N-RS0	84	49.4	24	18...28	32	4.7	Ball	2.3	2700	-20...+70	92	92	25	M3	Molex 22-01-2025
3414NGH-RS0	94	55.3	24	18...26	36	5	Sleeve	3	3000	-20...+70	92	92	25	M3	Molex 22-01-2025
3414NHH-RS0	102	60	24	18...26	39	5.1	Ball	2.7	3250	-20...+70	92	92	25	M3	Molex 22-01-2025
4314-RS0	170	100.1	24	12...28	45	5.8	Ball	5	2800	-20...+75	119	119	32	M3	Molex 22-01-2025

Fixing Centres

Frame Size	Dimension A (mm)
40	32
60	50
80	71.5
92	82.5
119	104.8



Terminal Assignment

1 = Red (+)

2 = Blue (-)

