

# Cable gland - VC-K-KV-PG16 2X6/1X7



1885431

<https://www.phoenixcontact.com/gb/products/1885431>

Please be informed that the data shown in this PDF document is generated from our Online Catalog. Please find the complete data in the user documentation. Our General Terms of Use for Downloads are valid.



Half screw connection Pg16, made of plastic, consisting of rubber seal with several holes (2 x 6 mm/1 x 7 mm) and a pressure screw, for cable screw connection thread VC-M-KV-PG16...

## Commercial Data

Item number	1885431
Packing unit	5 pc
Minimum order quantity	5 pc
Note	Made to Order (non-returnable)
Sales Key	ABLAZA
Product Key	ABLAZA
Catalog Page	Page 46 (C-2-2013)
GTIN	4017918176532
Weight per Piece (including packing)	8.82 g
Weight per Piece (excluding packing)	8.82 g
Customs tariff number	39269097
Country of origin	PL

## Technical Data

### Notes

#### Safety note

##### Safety note

WARNING: The connectors may not be plugged in or disconnected under load. Ignoring the warning or improper use may damage persons and/or property.

- WARNING: Commission properly functioning products only. The products must be regularly inspected for damage. Decommission defective products immediately. Replace damaged products. Repairs are not possible.

- WARNING: Only electrically qualified personnel may install and operate the product. They must observe the following safety notes. The qualified personnel must be familiar with the basics of electrical engineering. They must be able to recognize and prevent danger. The relevant symbol on the packaging indicates that only personnel familiar with electrical engineering are allowed to install and operate the product.

- The products are suitable for applications in plant, controller, and electrical device engineering.

- When operating the connectors in outdoor applications, they must be separately protected against environmental influences.

- Assembled products may not be manipulated or improperly opened.

- Only use mating connectors that are specified in the technical data of the standards listed (e.g. the ones listed in the product accessories online at [phoenixcontact.com/products](https://www.phoenixcontact.com/products)).

- When using the product in direct connection with third-party manufacturers, the user is responsible.

- For operating voltages > 50 V AC, conductive connector housings must be grounded

- Ensure that the protective or functional ground has been properly connected.

- VDE 0100/1.97 § 411.1.3.2 and DIN EN 60 204/11.98 § 14.1.3 are applicable when combining several circuits in a cable and/or connector

- Observe the corresponding technical data. You will find information:

- o On the product

- o On the packing label

- o In the supplied documentation

- o Online at [phoenixcontact.com/products](https://www.phoenixcontact.com/products) under the product

- Only use tools recommended by Phoenix Contact

- The installation notes/Design In documents online on the download page at [phoenixcontact.com/products](https://www.phoenixcontact.com/products) must be observed for this product.

- Use a protective cap to protect connectors that are not in use. The suitable accessories are available online in the accessory section of the product at [phoenixcontact.com/products](https://www.phoenixcontact.com/products)

- Operate the connector only when it is fully plugged in.

- Ensure that when laying the cable, the tensile load on the connectors does not exceed the upper limit specified in the

# Cable gland - VC-K-KV-PG16 2X6/1X7

1885431

<https://www.phoenixcontact.com/gb/products/1885431>

	standards.
	<ul style="list-style-type: none"><li>• Observe the minimum bending radius of the cable. Lay the cable without twisting it.</li></ul>
	<ul style="list-style-type: none"><li>• The connector warms up in normal operation. Depending on the ambient conditions, the surface of the connector can continue to warm up. In this case, the user is responsible for posting warnings (e.g. DIN EN ISO 13732-1:2008-12).</li></ul>

## Product properties

Product type	Multiple screw connection
No. of conductors	3
Type of the screw connection	Half screw connection
Shielded	no

## Dimensions

Dimensional drawing	
Width	29.5 mm
Height	29.5 mm
Length	24.1 mm
Wrench size, union nut	27 mm
Thread type on seal side	Pg16

## Material specifications

Color	gray
Material	TPE (Seal) Brass (Screw connection)
Sealing material	TPE

## Cable / line

External cable diameter	5.5 mm ... 6 mm (Cable 1)
Tightening torque, union nut	5.00 Nm

## Mechanical properties

### Mechanical data

Type of the screw connection	Half screw connection
------------------------------	-----------------------

## Environmental and real-life conditions

### Ambient conditions

Degree of protection	IP65
Degree of protection	IP65
Ambient temperature (operation)	-20 °C ... 100 °C

# Cable gland - VC-K-KV-PG16 2X6/1X7

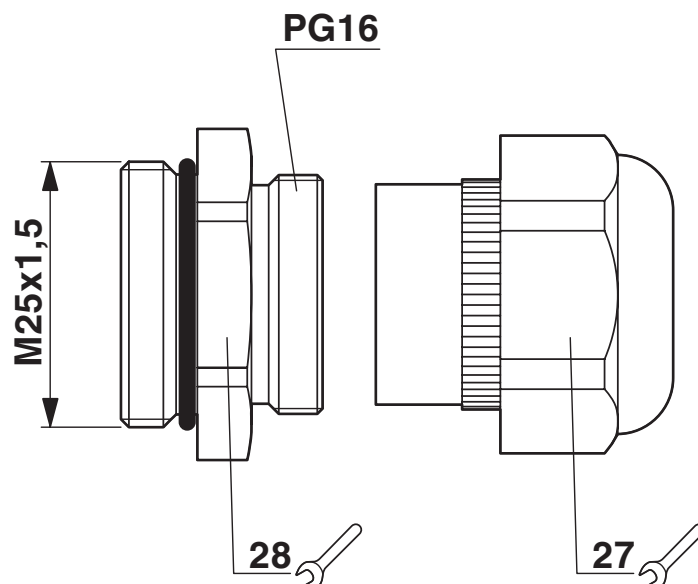
1885431

<https://www.phoenixcontact.com/gb/products/1885431>



## Drawings

Dimensional drawing



# Cable gland - VC-K-KV-PG16 2X6/1X7

1885431

<https://www.phoenixcontact.com/gb/products/1885431>



## Approvals

**EN** EAC

# Cable gland - VC-K-KV-PG16 2X6/1X7



1885431

<https://www.phoenixcontact.com/gb/products/1885431>

## Classifications

### ECLASS

ECLASS-9.0	27144432
ECLASS-10.0.1	27144432
ECLASS-11.0	27144432

### ETIM

ETIM 8.0	EC000441
----------	----------

### UNSPSC

UNSPSC 21.0	39121300
-------------	----------

# Cable gland - VC-K-KV-PG16 2X6/1X7



1885431

<https://www.phoenixcontact.com/gb/products/1885431>

## Environmental Product Compliance

China RoHS	Environmentally friendly use period: unlimited = EFUP-e
	No hazardous substances above threshold values

Phoenix Contact 2022 © - all rights reserved  
<https://www.phoenixcontact.com>

PHOENIX CONTACT Ltd  
Halesfield 13, Telford  
Shropshire, TF7 4PG  
01952 681700  
[info@phoenixcontact.co.uk](mailto:info@phoenixcontact.co.uk)