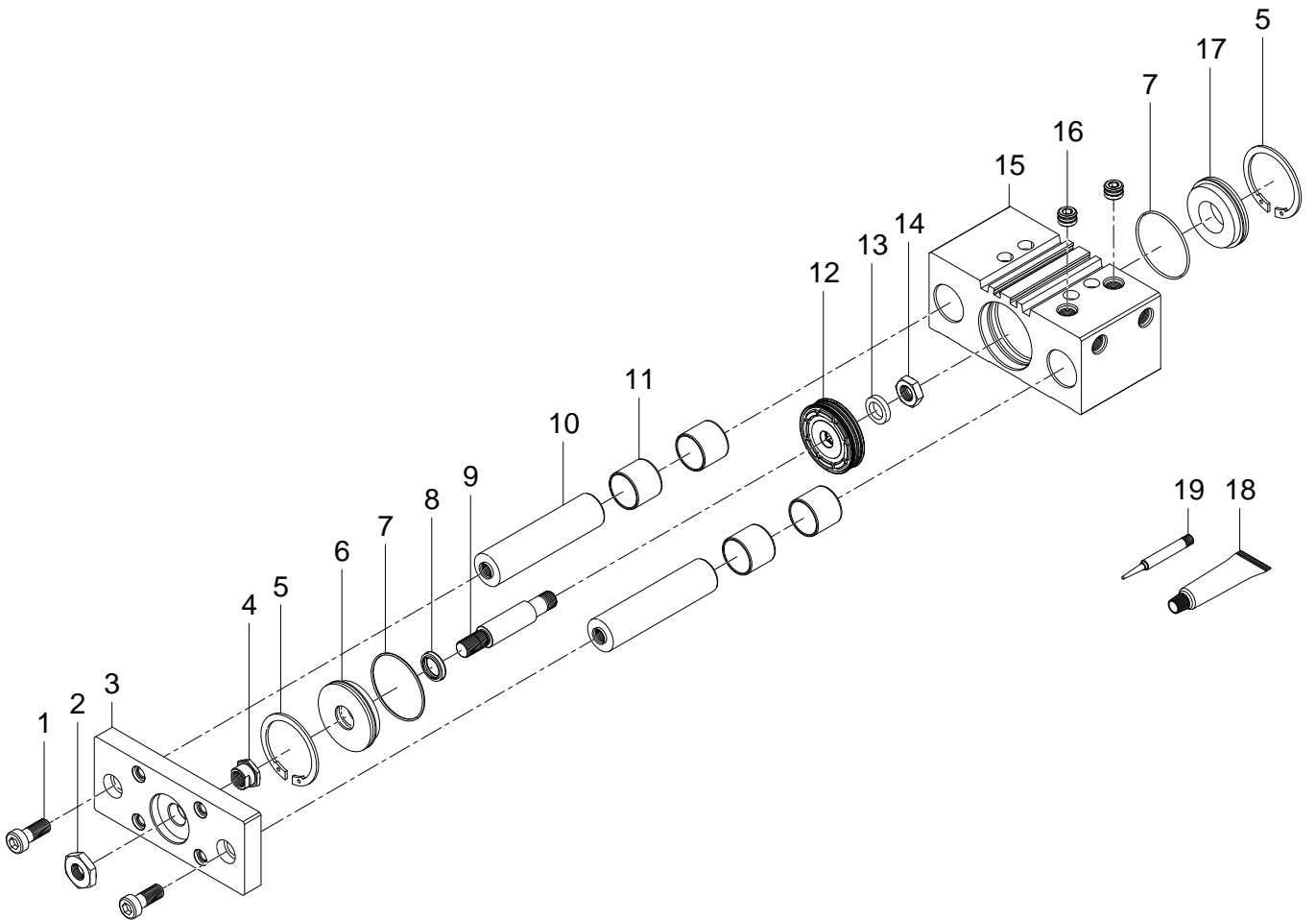


170879 DFM-63-50-P-A-GF Guided drive - Series till 10-2017



## 170879 DFM-63-50-P-A-GF Guided drive - Series till 10-2017

Pos.	Part no.	Type	Note	Qty.	Unit
A	8047220	DFM-63-PA :FR 04-2015 Set of wearing parts	Spare parts: 5, 7, 8, 12, 13, 18, 19 <a href="#">Replacing the wearing parts</a>	1	PC
1	356653	DIN 6912-M10X25-8.8 Socket head screw	Tightening torque 37 Nm / 27.3 lbf ft Use locking compound. See position 19	2	PC
2	387996	M12X1,25-1.0715 Hex nut	Tightening torque 37.8 Nm / 27.9 lbf ft Use locking compound. See position 19	1	PC
3		DFM-63 End plate	Not available	1	PC
4		M12X1,25 Collar nut	Not available	1	PC
5		DIN 472-65X2,5 Retaining ring	Not available separately, see position A	2	PC
6		DFM-63 Bearing cap	Not available Grease using during assembly. See position 18	1	PC
7		B-61X1,5-N-NBR70 O-ring ISO3601	Not available separately, see position A Grease using during assembly. See position 18	1	PC
8		WIFC1-16X20,5X4-TPE-U Wiper seal	Not available separately, see position A Grease using during assembly. See position 18	1	PC
9		ARA-16-S0068.4-B Piston rod	Not available	1	PC
10		DFM-50/63-50-GF Guide rod	Not available	2	PC
11		DFM-50 Plain bearing	Not available	4	PC
12		BA-K10D-063-A Complete piston	Not available separately, see position A Grease using during assembly. See position 18	1	PC
13		13X20X4-1.0715 Ring	Not available separately, see position A	1	PC
14	203968	DIN 439-B-M12X1,25-04 Hex nut	Tightening torque 23.3 Nm / 17.2 lbf ft Use locking compound. See position 19	1	PC
15		DFM-63-50 Housing	Not available Grease using during assembly. See position 18	1	PC
16	116516	G1/4 Plug screw		2	PC
17		DFM-63 End cap	Not available	1	PC
18	684474	LUB-KC1 SILIKONFREI 20ML Lubricating grease		1	PC
19	8181256	CYBERBOND TM44 TB1ML Adhesive bonding agent		1	PC