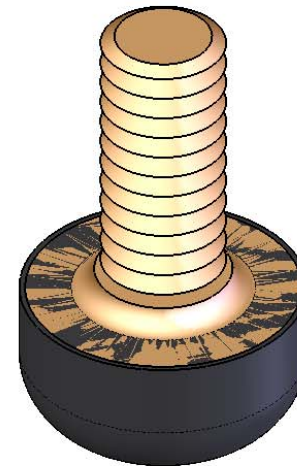
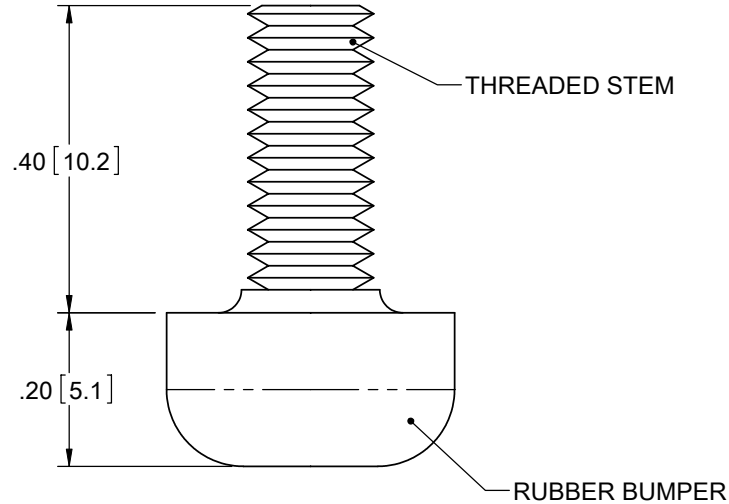
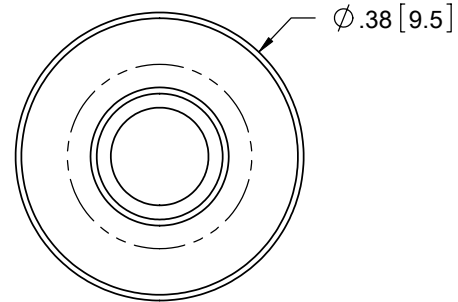


| PART NO. | THREAD TYPE |
|----------|-------------|
| TB-1     | #6-32       |
| TB-2     | #8-32       |
| TB-3     | M3          |
| TB-4     | M4          |



NOTES:

1. MATERIAL: RUBBER BUMPER - IIR, SHORE 40-50A DUROMETER (RMS-348)  
THREADED STEM - BRASS (RMS-349)
2. COLOR: RUBBER BUMPER - BLACK  
THREADED STEM - AS MACHINED
3. TYPICAL COMPRESSION FOR 10 LB MAX LOAD = .03 [0.8]

| TITLE: THREADED BUMPERS                           |                           |             | DWG IN IN[MM]    |               | FINAL  |        |                  |
|---|---------------------------|-------------|------------------|---------------|--|--------|------------------|
| CREATED USING SOLIDWORKS                          |                           |             | FILE #: TB       | DWN: S.J.     | APP: S.J.  | PART # |                  |
| TOLERANCES UNLESS NOTED                           |                           |             | SHEET: 1 OF 1    | SHEET SIZE: A | DT: 1.09.07  |        | CHKD: S.K.       |
| XX=±.010<br>.XXX=±.005<br>FRAC.=±1/64<br>ANG.=±1° |                           |             | RE: RICHCO, INC. |               | RICHCO, INC.<br>ENG@RICHCO-INC.COM<br>(773) 539-4060 |        |                  |
| B   | SEE ECN #1309 FOR CHANGES | SK 04/05/07 | SEE TABLE        |               |  |        | PRINT TYPE<br>CA |
| A   | RELEASED FOR PRODUCTION   | SK 01/09/07 |                  |               |  |        |                  |
| REV.  | DESCRIPTION               | ENGR. DATE  |                  |               |  |        |                  |