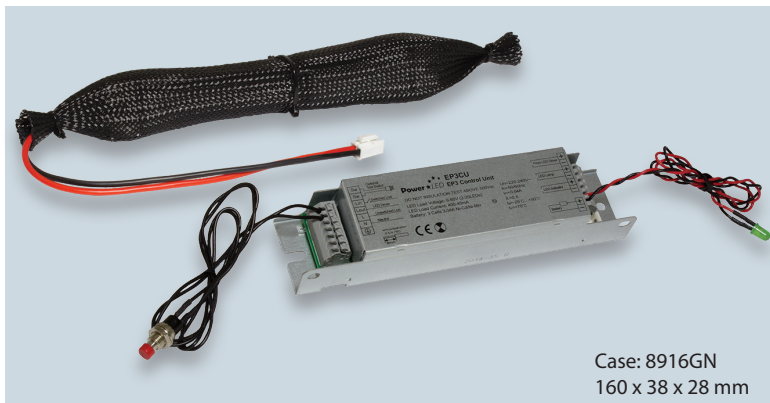


EP3 4W Non-maintained LED emergency kit



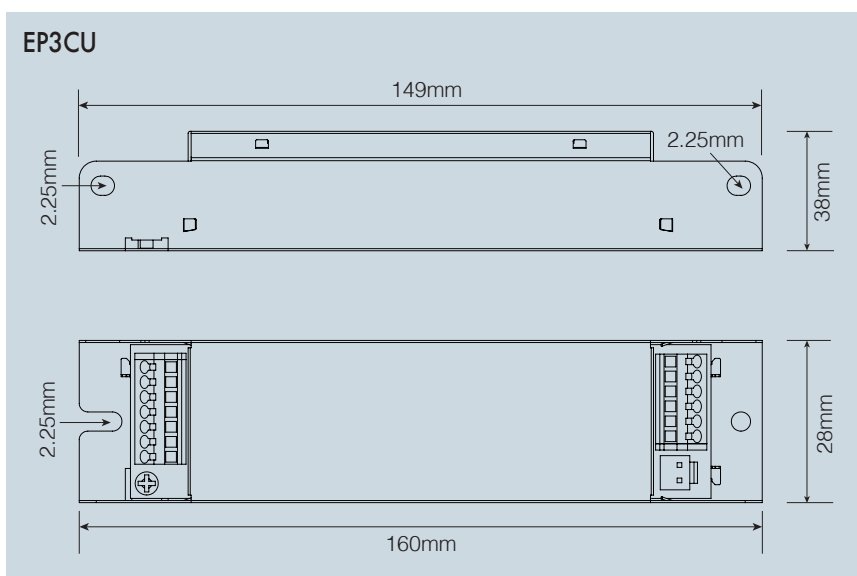
- Intelligent automatic recharging function
- Automatic output current adjustment
- Constant current mode
- Wide range LED voltage 6-60V
- 3 hour emergency operation
- LED charge status display
- Deep discharge protection
- Test switch with self-test function
- Built-in compact design
- Suitable for LED luminaire with external driver
- Non-maintained LED emergency kit
- Uses 3hr battery



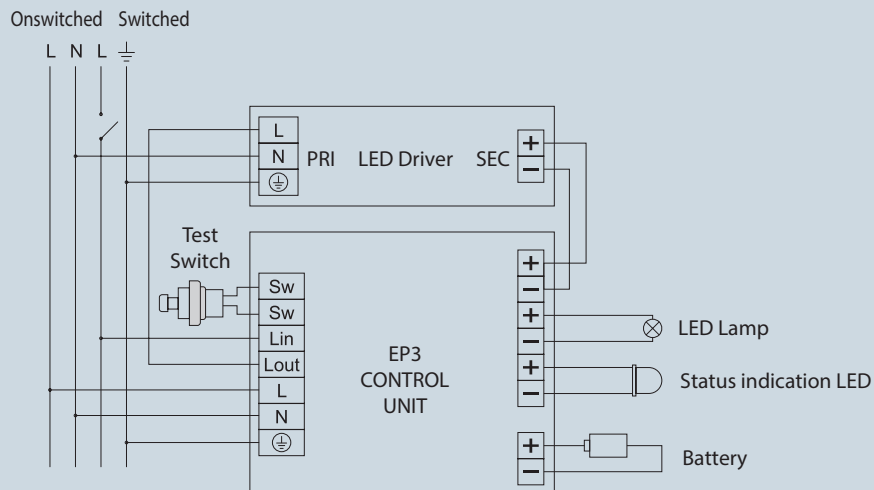
Specification

Model No.	EP3
Voltage	220~240VAC
Frequency	50 ~ 60 Hz
Power	4W
Current	40mA
Power Factor	0.5
Charge Current (Typ.)	200mA
Recharge Hours	20hrs
EM LED Current	400~40mA
EM LED Voltage	6~60V (2-20 LEDs)
EM LED Power	3.0W
Ambient Temperature	-25 ~ +50°C
Max Casing Temperature	70°C
Battery Type	Ni-Cd 3.6V 3Ah
Weight	184g

EP3CU Mechanical Diagrams



Wiring Diagram

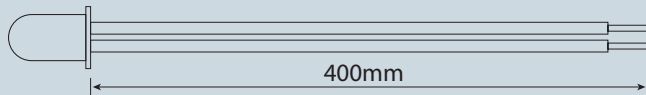


Status Indication LED

Mounting hole 6.5mm dia

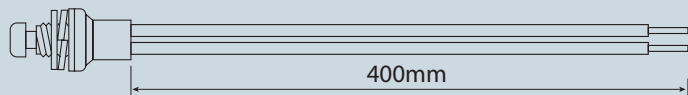
Type
Green LED

Lead Length
400mm



Test Switch

Mounting hole 7mm dia



Battery Diagram

