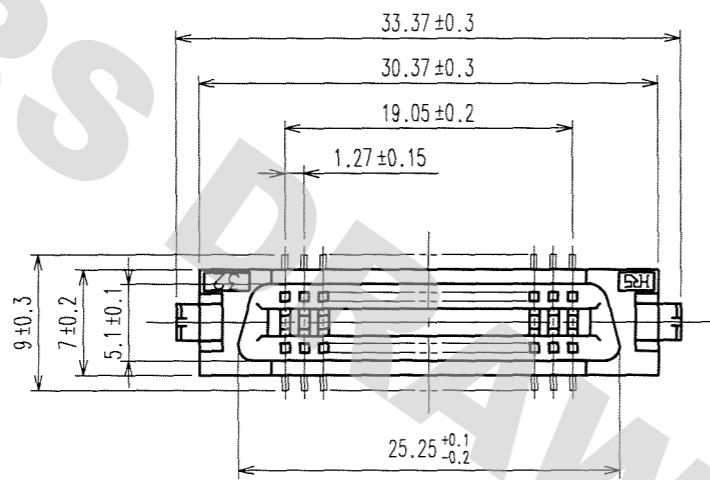
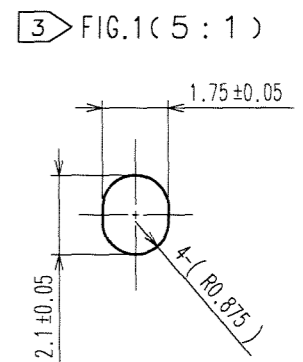
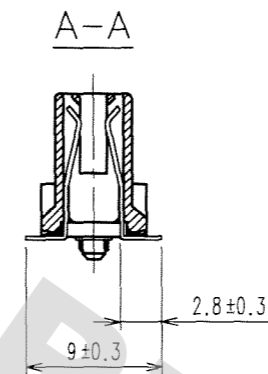
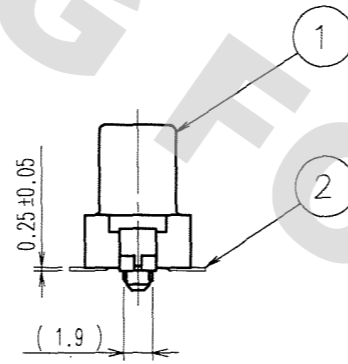
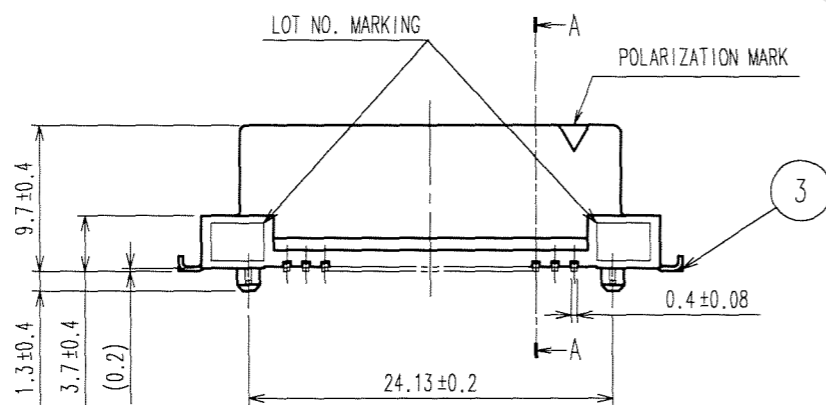
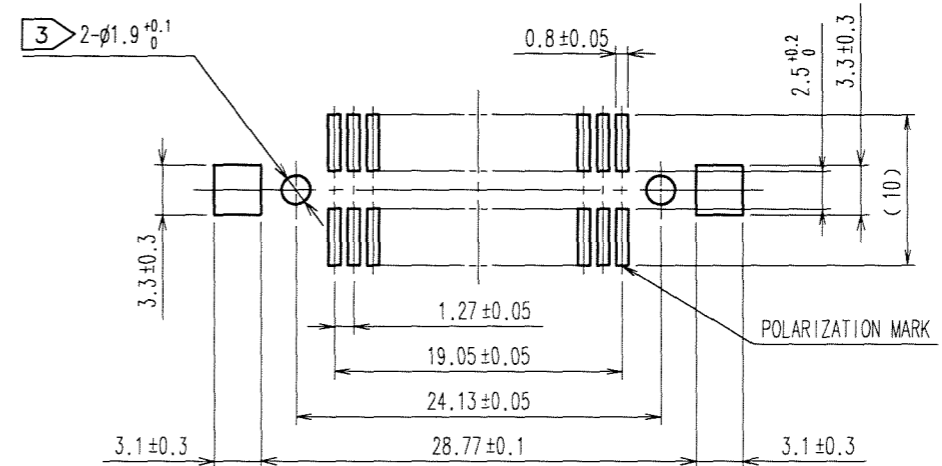


| COUNT | DESCRIPTION OF REVISIONS | BY | CHKD | DATE | COUNT | DESCRIPTION OF REVISIONS | BY | CHKD | DATE |
|-------|--------------------------|----|------|------|-------|--------------------------|----|------|------|
| △ | | | | | △ | | | | |
| △ | | | | | △ | | | | |
| △ | | | | | △ | | | | |



RECOMMENDED LAND PATTERN DIMENSION OF PCB (MOUNTING SIDE)



- NOTES
- 1 LEAD CO-PLANARITY SHALL BE 0.15 MAX.
 - 2 THE DIMENSIONS IN PARENTHESES ARE FOR REFERENCE.
 - 3 IN CASE OF THE AUTOMATED MOUNTING, RECOMMENDED HOLE DIAMETER OF BOSS IS SHOWN IN FIG.1.

| 1 | PPS | LIGHT BROWN (UL94V-0) | 3 | BRASS | TIN-PLATING |
|-----|----------|-----------------------|-----|-----------------|----------------------------------|
| | | | 2 | PHOSPHOR BRONZE | CONTACT AREA: GOLD 0.2μm min. |
| | | | | | LEAD AREA: TIN-PLATING 2μm min. |
| | | | | | UNDER PLATING: NICKEL 1.5μm min. |
| NO. | MATERIAL | FINISH, REMARKS | NO. | MATERIAL | FINISH, REMARKS |

| CODE NO. (OLD) | DRAWN | DESIGNED | CHECKED | APPROVED | RELEASED |
|----------------|------------|--------------------|-----------------|-----------------|----------|
| CL | A.SUZUKAWA | <i>Y. Nakamura</i> | <i>T. Ogawa</i> | <i>H. Okawa</i> | |
| | 06.07.19 | 06.07.19 | 06.07.19 | 06.07.19 | |

| | | |
|-------|--------------------------|---------------------|
| SCALE | DRAWING NO. | PART NO. |
| 2 : 1 | EDC3-082758-21 | FX2-32S-1.27SVL(71) |
| UNITS | HIROSE ELECTRIC CO., LTD | CODE NO. |
| mm | | CL572-2152-4-71 |

| |
|-----|
| TO |
| PCK |
| |
| |

DRAWING FOR REFERENCE: This is subject to change without notice
08/11/2012