

6

5

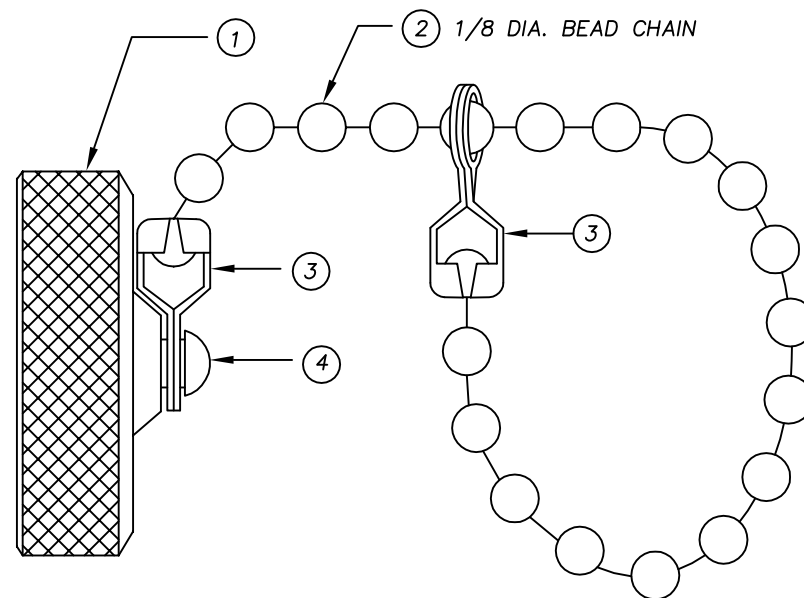
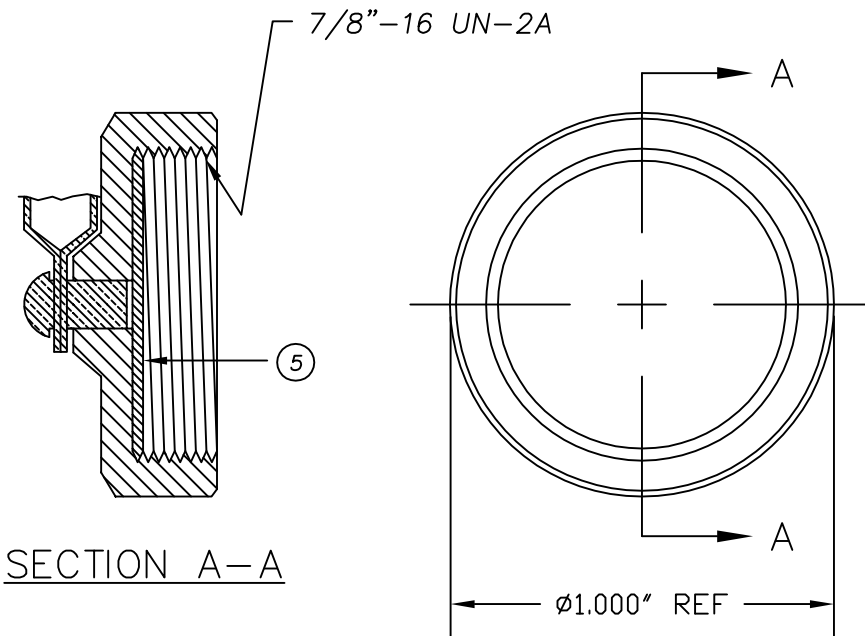
4

3

2

1

REF.	DESCRIPTION
1	303 ANODIZED ALUMINUM
2	6 INCH 1/8 DIA. STAINLESS STEEL BEAD CHAIN
3	STAINLESS STEEL CHAIN FASTENER
4	#4X3/16 DRIVE SCREW
5	NEOPRENE GASKET



SECTION A-A

 $\phi 1.000''$  REF

PART #	ENGINEERING NUMBER
1302011111	65-0086

RELEASE DRAWING EC NO: WNA2010-0134 8/28/09 DRWN: TVICKERS CHKD: B.WOODMA 2009/08/28 APPR: DTTITUS 2009/08/31	QUALITY SYMBOLS $\nabla = 0$ $\nabla C = 0$	GENERAL TOLERANCES (UNLESS SPECIFIED)		DIMENSION STYLE		SCALE	DESIGN UNITS	THIRD ANGLE PROJECTION	
			mm	INCH	----		2:1		INCH
		4 PLACES	±----	±----	DRAWN BY	DATE	TITLE		
		3 PLACES	±----	±----	T.V.	2009/08/28	MINI-CHANGE CLOS CAP FF A-SIZE INTERNAL THREAD WITH BEAD CHAIN AND LOOP		
2 PLACES	±----	±----	CHECKED BY	DATE	MATERIAL NO.		MOLEX INCORPORATED		
1 PLACE	±----	±----	B.WOODMA	2009/08/28	SEE CHART				
ANGULAR ±---°		DRAFT WHERE APPLICABLE MUST REMAIN WITHIN DIMENSIONS		APPROVED BY		DATE	DOCUMENT NO.	SHEET NO.	
				DTITUS		2009/08/28	SD-130046-009	1 OF 1	
A		A		THIS DRAWING CONTAINS INFORMATION THAT IS PROPRIETARY TO MOLEX INCORPORATED AND SHOULD NOT BE USED WITHOUT WRITTEN PERMISSION					

6

5

4

3

2

1