

L4000 Rev. C 04/13

Index:

English	1-7
Français	8-14
Deutsch	15-21
Italiano	22-28
Español	29-35
Netherlands	36-42
Portuguese	43-49
Finnish	50-56
Norwegian	57-63
Swedish	64-70
中文	71-77
日本語	78-84

1.0 DESCRIPTION

Enerpac GBJ Series hydraulic bottle jacks are designed for lifting loads. These products meet American National Standard specifications ANSI/ASME PALD 2009 and ASME B30.1-2009.



Read instructions and safety information carefully before attempting to assemble, operate or maintain the bottle jack. Failure to comply with instructions could result in personal injury and/or property damage. Retain instructions for reference.

Repair parts sheets for this product are available from the Enerpac web site at www.enerpac.com, or from your nearest Authorized Enerpac Service Center or Enerpac sales office.

2.0 BOTTLE JACK SAFETY INFORMATION

2.1 Hazard Statements

The following hazard alert statements are used in this instruction manual:

DANGER: Indicates imminent danger to the user. Failure to observe precaution may result in serious personal injury or death.

WARNING: Failure to observe precaution may result in personal injury or death.

CAUTION: Failure to observe precaution may result in personal injury and/or damage to jack.

Always read and understand all hazard statements before operating the jack or making repairs.

2.2 General Bottle Jack Safety Precautions



DANGER: Failure to heed the following precautions and instructions may result in serious personal injury or death and possible loss of load. Property damage and/or damage to the jack may also occur.

See Fig. 1.

- ① Read and understand all instructions and safety precautions in this manual before using jack.
- ② The jack is a lifting device only. Support the load immediately after lifting with appropriately rated stands or equivalent blocking. Never use the jack to support the load in the raised position after lifting is completed.
- ③ Use the jack only on a hard, level surface capable of sustaining the load. If used on an incline or soft ground, the jack may tilt, the saddle may slip and serious injury from falling objects may occur.
- ④ Do not work under a load supported by hydraulics. Never place your arm, leg or body under a load that is supported only by the jack. Working under vehicles and other heavy objects with the jack in the raised position is strictly forbidden. Serious personal injury or death may occur if the jack lowers unexpectedly or slips out from under the load.
- ⑤ Be sure lift point is stable and that load is centered on the jack saddle.
- ⑥ Pump handle force must not exceed maximum permitted for the jack model being used. See table in Section 4.0.
- ⑦ Keep jack away from flames and heat. Do not weld or modify jack.

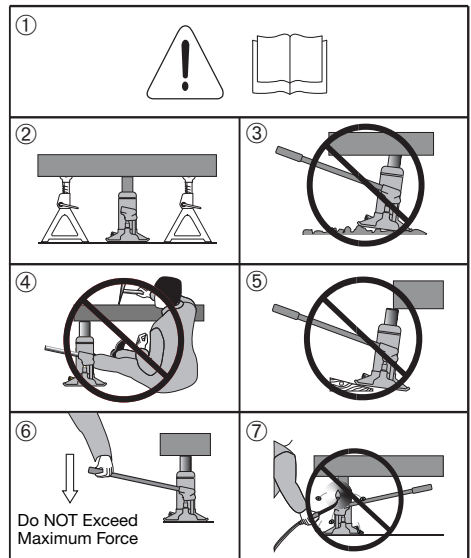


Fig. 1 - Safety Precautions

2.3 Additional Bottle Jack Safety Precautions

1. Do not overload the jack. Load must not exceed the jack's rated capacity.
2. Do not lift the load higher than necessary.
3. Do not place objects under the load being lifted by the jack.
4. Do not apply force to any object being lifted by the jack.
5. Remove the pump handle from the handle socket on jack when not in use. Use only the pump handle supplied with the jack or an exact replacement of the same specifications.
6. Do not remove the jack oil fill/air release plug for any reason unless jack is fully lowered.

7. Never attempt to service, repair or adjust the jack while it is supporting a load.
8. Use the jack only in ambient temperatures between -4 to 158°F [-20 to +70°C].
9. Allow only trained and qualified hydraulic specialists to inspect and repair the jack. Use only genuine Enerpac replacement parts and Enerpac HF Series hydraulic oil.

3.0 RECEIVING INSTRUCTIONS

Visually inspect all components for shipping damage. Shipping damage is not covered by warranty. If shipping damage is found, notify carrier at once. The carrier is responsible for all repair and replacement costs resulting from damage in shipment.

4.0 SPECIFICATIONS


Model	◆ Capacity tons [kN]	Max. Stroke inch [mm]	Min. Height inch [mm]	Max. Height inch [mm]	Max. Pump Handle Force lb [kgf]	Ext. Screw Height inch [mm]	Net Weight lb [kg]	Base Area inch [mm]
GBJ-002	2 [19.6]	3.94 [100]	6.30 [160]	12.20 [310]	88.2 [40]	1.97 [50]	7.9 [3.6]	3.74 x 4.37 [95 x 111]
GBJ-002L	2 [19.6]	18.11 [460]	22.44 [570]	40.55 [1030]	88.2 [40]	*	21.1 [9.6]	5.00 x 5.00 [127 x 127]
GBJ-003	3 [29.4]	4.13 [105]	6.61 [168]	13.31 [338]	103.6 [47]	2.56 [65]	9.0 [4.1]	3.74 x 4.57 [95 x 116]
GBJ-005	5 [49]	5.91 [150]	8.35 [212]	17.20 [437]	110.2 [50]	2.95 [75]	11.0 [5.0]	3.74 x 4.84 [95 x 123]
GBJ-008	8 [78.4]	5.91 [150]	8.62 [219]	17.48 [444]	88.2 [40]	2.95 [75]	13.0 [5.9]	3.74 x 5.43 [95 x 138]
GBJ-010	10 [98]	5.91 [150]	8.62 [219]	17.48 [444]	88.2 [40]	2.95 [75]	14.3 [6.5]	3.74 x 5.59 [95 x 142]
GBJ-010S	10 [98]	2.44 [62]	5.16 [131]	8.78 [223]	88.2 [40]	1.18 [30]	12.1 [5.5]	3.74 x 5.59 [95 x 142]
GBJ-015	15 [147]	5.91 [150]	8.98 [228]	17.83 [453]	88.2 [40]	2.95 [75]	19.8 [9.0]	4.41 x 6.42 [112 x 163]
GBJ-020	20 [196]	5.91 [150]	9.21 [234]	18.07 [459]	88.2 [40]	2.95 [75]	26.7 [12.1]	5.00 x 6.73 [127 x 171]
GBJ-020S	20 [196]	4.13 [105]	7.48 [190]	13.78 [350]	88.2 [40]	2.17 [55]	22.0 [10.0]	5.00 x 6.73 [127 x 171]
GBJ-030	30 [294]	5.91 [150]	9.53 [242]	18.39 [467]	88.2 [40]	2.95 [75]	34.2 [15.5]	5.59 x 7.72 [142 x 196]
GBJ-050	50 [490]	5.91 [150]	9.92 [252]	15.83 [402]	88.2 [40]	*	62.8 [28.5]	7.09 x 9.06 [180 x 230]
GBJ-100	100 [980]	5.91 [150]	11.81 [300]	17.72 [450]	66.1 [30]	*	191.8 [87.0]	11.65 x 13.11 [296 x 333]

Notes:

◆ Capacities shown in tons are nominal, values in kN are actual.

* Jack model not equipped with extension screw.

Dimensions shown are approximate. All product specifications are subject to change without notice.

 This tool conforms with the requirements for CE Marking.

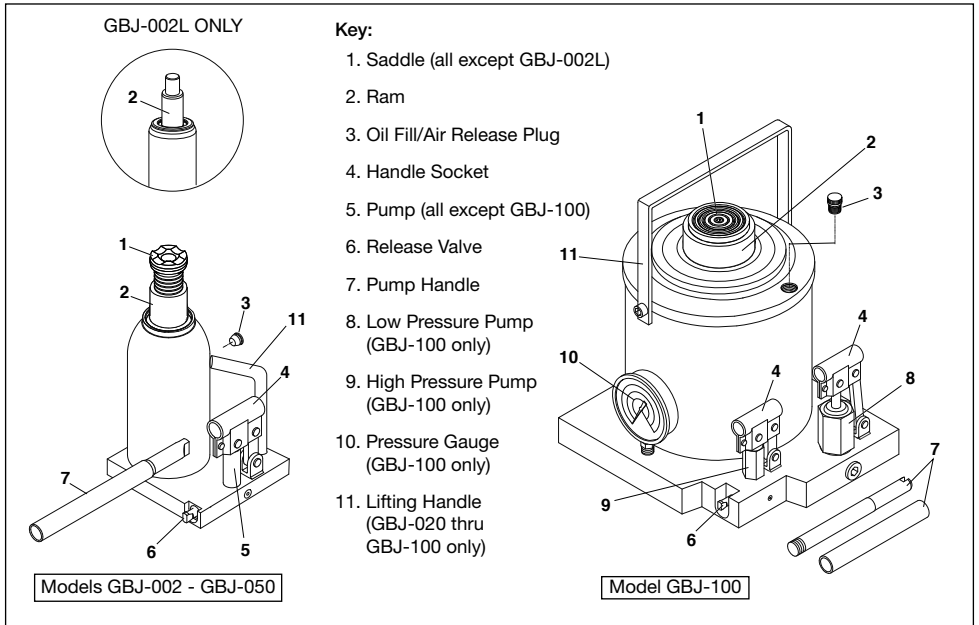


Fig. 2 - Features and Components

5.0 OPERATION

5.1 Before Using the Jack

- Inspect the condition of the jack before use. Do not use the jack if it is damaged, missing parts or if it is leaking oil. Refer to Section 6.3 for a detailed list of inspection items.
- Lubricate the pump linkage and pivot pins with lubricating oil. Refer to Section 6.4 for lubrication points.
- Remove oil fill/air release plug and check oil level. Refer to Section 6.1 for oil specifications and additional information.
- Using rectangular end of pump handle, turn relief valve stem counter-clockwise to open valve (do not turn more than two revolutions). See Fig. 3.
- Insert pump handle into handle socket. Operate handle 6 to 8 strokes. This will help lubricate the pump's internal parts prior to lifting.

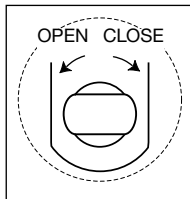


Fig. 3 - Release Valve

Note: If ram rises erratically or if a spongy feel is noticed while pumping under load, perform air bleeding procedure. Refer to Section 6.2.

5.2 Lifting the Load

- Using rectangular end of pump handle, turn relief valve stem clockwise until valve is fully closed.



CAUTION: To prevent damage, do not use excessive force when closing the release valve.

- Position jack under proper lift point. Refer to Section 8.0 for jack transporting and positioning information.
- Insert pump handle into handle socket. Length and quantity of handle segments will vary, depending on jack model.

Note: Model GBJ-100 has two pumps. For this jack model, insert pump handle into the socket on the low pressure pump.

- Operate pump handle until the saddle makes solid contact with the load. On models equipped with an extension screw, adjust the screw height as required. Be sure that the load is perpendicular to the center of the jack saddle.



WARNING: During lifting, the inclined load must not exceed 6 degrees. See Fig. 4.

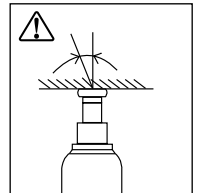


Fig. 4 - Inclined Load

- Continue operating the pump handle as required to raise load to the desired height.
- Model GBJ-100 only: After load is partially raised and pumping effort noticeably increases, move the pump handle to the high pressure pump. Continue pumping until the load is raised to the desired height.



WARNING: Model GBJ-100 is equipped with a pressure gauge calibrated to indicate the approximate weight being lifted. STOP pumping immediately if the gauge reading exceeds 100 metric tonnes [980 kN]. The jack is not designed to lift loads greater than 100 metric tonnes (110 short tons).

- Immediately after lifting is completed, support the load with jack stands of the appropriate weight rating.

5.3 Lowering the Load

- Operate pump handle one or two strokes, so that the load is raised off of the jack stands. Remove jack stands from under the load.



WARNING: Turn the release valve slowly in the following step. If release valve is opened too quickly, the object being lowered may drop suddenly, possibly causing the jack to become dislodged from beneath the load. Serious personal injury and/or property damage could result.



CAUTION: Avoid “shock loads” created by quickly opening and closing the release valve as load is being lowered. Shock loads may overload the jack’s hydraulic circuit and damage the jack.

- Using rectangular end of pump handle, slowly turn the release valve stem counter-clockwise until the valve opens and the ram begins to retract (do not turn more than two revolutions). Allow the ram to continue retracting until the load is fully lowered.
- Remove jack from the lifting area.
- Press down on the ram to return it to the fully retracted position. Turn the extension screw (if equipped) all the way down so that threads are fully recessed and protected from damage.

5.4 Horizontal Operation (all models except GBJ-100)

When operated horizontally, the jack must be oriented so that the pump is positioned down - closest to the ground. The jack will not operate properly if the pump is positioned up. See Fig. 5 for horizontal operating positions.



WARNING: Support the jack during horizontal operation so that it does not drop.



WARNING: Jack capacity is 50 percent or less than normal rating when operated horizontally. Use care to ensure that jack is not overloaded during horizontal operation.



WARNING: Always use appropriately rated blocking and/or supports to retain objects that have been pushed apart and/or that are under tension. Never place your hands, feet or body in between objects being supported only by the jack.

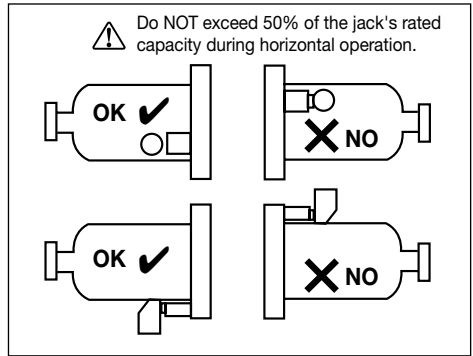


Fig. 5 - Horizontal Operation (all models exc. GBJ-100)

Note: Model GBJ-100 should not be used in the horizontal position.

6.0 MAINTENANCE

6.1 Adding Hydraulic Oil

If oil level is low, add additional oil as described in the following steps. Be careful to avoid dirt entry during filling.

- With ram fully retracted, set the jack in the upright position. Be sure surface under jack is level.
- Remove the oil fill/air release plug. On all jacks except model GBJ-100, the plug is located on the side of the cylinder housing. On model GBJ-100 only, the plug is located at the top of the cylinder housing.

IMPORTANT: Use only Enerpac HF Series hydraulic oil (ISO Grade 32) poured from a clean container.



WARNING: The use of motor oil, brake fluid, alcohol, glycerin, vegetable oil or other unapproved fluids will damage the jack, resulting in possible failure or malfunction of the device. Personal injury and/or property damage may occur.

- All models except GBJ-100: Fill until oil level is even with bottom edge of the oil fill hole. See Fig. 6.
- Model GBJ-100 only: Fill until oil level is about 3 inches [75 mm] below the oil fill hole. See Fig. 7.



Fig. 6 - Oil Level, all models except GBJ-100

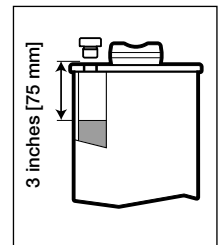


Fig. 7 - Oil Level, Model GBJ-100 only



CAUTION: DO NOT OVERFILL! With ram fully retracted and jack in upright position, oil level should not be higher than shown in Fig. 6 or Fig. 7 (as applicable for your jack model).

5. Reinstall oil fill/air release plug.
6. Bleed air as described in Section 6.2.

6.2 Air Bleeding

The following procedure should be performed after adding oil and whenever a “spongy” feel is noticed during jack operation.

To remove air from the jack:

1. Using rectangular end of pump handle, turn the release valve stem counter-clockwise to open valve (do not turn more than two revolutions).
2. Insert pump handle into handle socket. Operate handle 6 to 8 strokes.
3. Using rectangular end of pump handle, turn the release valve stem clockwise until valve is fully closed.
4. Insert pump handle into handle socket. Operate handle until ram is fully extended.
5. Operate pump handle an additional 5 to 6 strokes.
6. Using rectangular end of pump handle, turn the release valve stem counter-clockwise to open valve (do not turn more than two revolutions).
7. Push the ram all the way down until it is fully retracted.
8. Using rectangular end of pump handle, turn the release valve stem clockwise until valve is fully closed. **Do not overtighten!**
9. All models except GBJ-100: Using fingers, push the rubber oil fill/air release plug to the side to release any trapped air.
10. Model GBJ-100 only: Loosen oil fill/air release plug 1 to 2 turns to release any trapped air. Tighten plug after releasing air.

6.3 Inspection

Visually inspect the jack before each use. Remove the jack from service immediately and take corrective action if any of the following problems are found:

- a. Cracked or damaged housing.
- b. Excessive wear, bending or other damage.
- c. Leaking hydraulic fluid.
- d. Scored or damaged piston rod (ram).
- e. Incorrectly functioning extension screw.
- f. Loose hardware.
- g. Modified or altered equipment.



WARNING: If the jack appears damaged in any way and/or shows signs of malfunctioning, it must be immediately removed from service. The jack must remain out of service until it has been inspected and repaired by an Enerpac Authorized Service Center or other qualified hydraulic service facility.

6.4 Periodic Maintenance

Thoroughly lubricate all pivot pins and linkages with lubricating oil before using the jack and after every 10 ram up/down cycles. See Fig. 8.

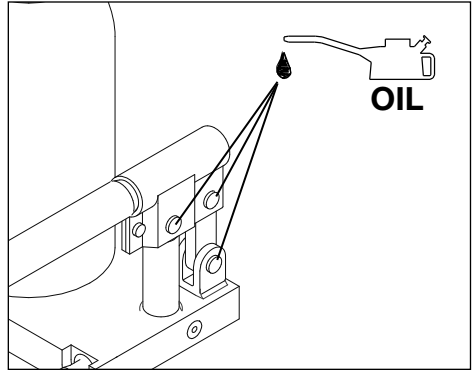


Fig. 8 - Lubrication

Periodically check the ram for signs of corrosion. Clean as needed and wipe with an oil saturated cloth.

7.0 STORAGE

Before storing the jack:

- Push the ram all the way down, so that it is fully retracted and protected from damage and corrosion.
- Be sure that extension screw (if equipped) is turned all the way down to protect the threads from damage.
- Wipe off any dirt or oil.
- Be sure that the release valve is fully closed.

Always store the jack in the upright position, in a protected location where it will not be exposed to corrosive vapors, abrasive dust or any other harmful elements.

8.0 TRANSPORTING AND POSITIONING THE JACK

- Models GBJ-002 through GBJ-050: These models can be transported and positioned by hand, without use of an auxiliary lifting device. For added convenience, a lifting handle is provided on models GBJ-020, GBJ-020S, GBJ-030 and GBJ-050.
- Model GBJ-100: This model must be transported and positioned using a hoist or other auxiliary lifting device of appropriate capacity. Attach the lifting device hook to the jack lifting handle.

Note: Models GBJ-020 through GBJ-100: Refer to Fig. 2 for location of jack lifting handle (item #11).

9.0 PRESSURE GAUGE INSTALLATION (GBJ-100 ONLY)

A pressure gauge is used on Model GBJ-100 only. The gauge is shipped loose and must be installed prior to jack operation. See Fig. 9.

Install the gauge as described in the following steps:

1. Be certain that the ram is fully retracted and that no load is placed on the saddle.
2. Using a 17 mm open-end wrench, remove shipping plug (A) from gauge port.
3. Be sure that O-Ring (B) is seated at the bottom of the threaded port.
4. Position the gauge (C) over the port with the dial facing out, toward the user.
5. While firmly holding the gauge housing so that it does not move, thread the gauge swivel fitting into the port. Tighten the fitting by hand using a 22 mm open-end wrench.

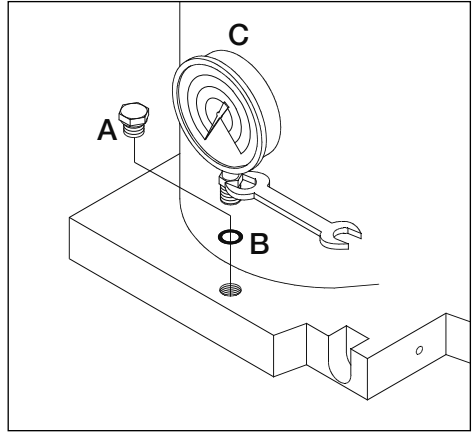


Fig. 9 - Gauge Installation (GBJ-100 Only)

IMPORTANT: To prevent damaging the O-Ring, do not use a wrench extension when installing the gauge.

10.0 TROUBLESHOOTING

Refer to the troubleshooting table for a list of common bottle jack symptoms, possible causes and solutions.

For repair service, contact an Enerpac Authorized Service Center. Inspection and repairs should be performed only by an Enerpac Authorized Service Center or other qualified hydraulic service facility.

TROUBLESHOOTING TABLE		
SYMPTOM	POSSIBLE CAUSE	SOLUTION
1. Erratic action.	Air in system.	Bleed air from unit. Refer to Section 6.2 for air bleeding instructions.
	Hydraulic oil viscosity too high.	Drain all old oil from the reservoir. Refill to proper level with Enerpac Type HF hydraulic oil (ISO Grade 32). Refer to Section 6.1. IMPORTANT: Dispose used oil in accordance with all applicable laws and regulations.
	Ram sticking or binding.	Remove any dirt or gummy deposits from jack. Be sure that jack is not misaligned under load.
	Seal wear and/or internal damage.	Have jack inspected and repaired by Enerpac Authorized Service Center.
2. Ram does not advance.	Release valve is open.	Close release valve.
	Low oil level.	Fill reservoir to the proper level with Enerpac Type HF hydraulic oil (ISO Grade 32). Refer to Section 6.1.
	Jack hydraulic circuit is air locked.	Bleed air from unit. Refer to Section 6.2 for air bleeding instructions.
	Load is greater than capacity of jack.	Use a higher capacity jack of appropriate load rating.

TROUBLESHOOTING TABLE (Continued)		
SYMPTOM	POSSIBLE CAUSE	SOLUTION
3. Ram extends only partially.	Low oil level.	Fill reservoir to the proper level with Enerpac Type HF hydraulic oil (ISO Grade 32). Refer to Section 6.1.
	Ram is binding.	Remove any dirt or gummy deposits from jack. Be sure that jack is not misaligned under load.
4. Ram advances slowly.	Pump assembly worn or damaged.	Have jack inspected and repaired by Enerpac Authorized Service Center.
	Seal wear and/or internal damage.	Have jack inspected and repaired by Enerpac Authorized Service Center.
5. Ram advances but does not hold pressure.	Check valve not working.	Have jack inspected and repaired by Enerpac Authorized Service Center.
6. Visible oil leakage on jack housing and/or components.	Seal wear and/or internal damage.	Have jack inspected and repaired by Enerpac Authorized Service Center. Note: A small amount of oil residue on the surface of the ram is normal during routine jack operation.
7. Ram will not retract or retracts slowly.	Release valve is closed.	Open release valve.
	Reservoir overfilled.	Drain oil to correct level. Refer to Section 6.1.
	Internal damage.	Have jack inspected and repaired by Enerpac Authorized Service Center.

L4000 Rev. C 04/13

1.0 DESCRIPTION

Les crics-bouteilles hydrauliques Enerpac de série GBJ ont été conçus pour le levage de charges. Ces produits sont conformes aux spécifications ANSI/ASME PALD 2009 et ASME B30.1-2009 de l'American National Standards Institute (ANSI).



Lire attentivement les instructions et les informations de sécurité avant de procéder à l'assemblage, à la mise en service ou à l'entretien du cric-bouteille. Le non-respect des instructions pourrait entraîner des blessures physiques et/ou des dommages matériels. Conserver le mode d'emploi pour pouvoir le consulter à tout moment.

Pour obtenir la liste des pièces détachées correspondant à ce produit, rendez-vous sur le site Internet Enerpac (www.enerpac.com) ou dans votre service après-vente agréé ou point de vente Enerpac le plus proche.

2.0 INFORMATIONS DE SÉCURITÉ POUR L'UTILISATION DU CRIC-BOUTEILLE

2.1 Mentions de danger

Les mentions de danger suivantes sont utilisées dans ce mode d'emploi :

DANGER : Indique un danger imminent pour l'utilisateur. Le non-respect des mesures de précaution peut entraîner des blessures graves ou mortelles.

AVERTISSEMENT : Le non-respect des mesures de précaution peut entraîner des blessures ou la mort.

ATTENTION : Le non-respect des mesures de précaution peut entraîner des blessures physiques et/ou la détérioration du cric.

Vous devez systématiquement lire et comprendre les mentions de danger avant d'utiliser ou de réparer le cric.

2.2 Mesures de précaution générales pour l'utilisation du cric-bouteille



DANGER: Le non-respect des mesures de précaution et instructions suivantes peut entraîner des blessures physiques graves ou mortelles, ainsi qu'une perte de charge. Des dommages matériels et/ou des détériorations du cric peuvent également survenir.

Voir Illustration 1.

① Lire et comprendre toutes les instructions et les précautions de sécurité de ce mode d'emploi avant d'utiliser le cric.

② Ce cric doit uniquement servir d'instrument de levage. Après le levage, soutenir immédiatement la

charge à l'aide de supports adaptés ou d'un dispositif de blocage équivalent. Ne jamais utiliser le cric pour soutenir la charge en position haute une fois le levage effectué.

③ Utiliser le cric sur une surface rigide et plane capable de supporter le poids de la charge. Utilisé sur une surface inclinée ou meuble, le cric peut basculer, le socle peut glisser et la chute d'objets peut occasionner des blessures graves.

④ Ne pas travailler sous une charge soutenue par un système hydraulique. Ne jamais mettre les bras, les jambes ou toute autre partie du corps sous une charge uniquement soutenue par le cric. Il est formellement interdit de travailler sous un véhicule ou d'autres objets lourds lorsque le cric est en position haute. Des blessures physiques graves ou mortelles peuvent survenir si le cric s'abaisse soudainement ou glisse de la charge.

⑤ S'assurer que le point de levage est stable et que la charge est bien au centre du socle du cric.

⑥ La force exercée sur le levier de pompe ne doit pas excéder la limite autorisée pour le modèle de cric utilisé. Se référer au tableau de la Section 4.0.

⑦ Tenir le cric à l'écart des flammes et de la chaleur. Ne pas souder ou modifier le cric.

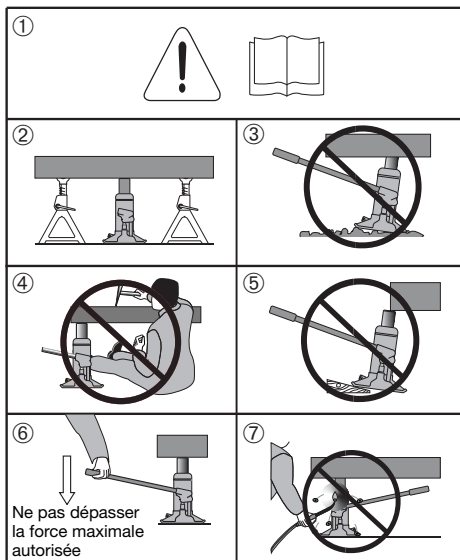


Illustration 1 – Mesures de précaution

2.3 Mesures de précaution supplémentaires pour l'utilisation du cric-bouteille

1. Ne pas surcharger le cric. La charge ne doit pas excéder la capacité nominale du cric.
2. Ne pas lever la charge plus haut que nécessaire.
3. Ne pas placer d'objet sous la charge levée à l'aide du cric.
4. Ne pas exercer de force sur les objets levés à l'aide du cric.
5. Retirer le levier de pompe de son manchon lorsque le cric n'est pas utilisé. Utiliser uniquement le levier de pompe fourni avec le cric ou un modèle strictement identique possédant les mêmes caractéristiques.
6. Ne jamais retirer le bouchon de remplissage d'huile/de purge d'air du cric si le cric n'est pas totalement abaissé.

7. Ne jamais procéder à l'entretien, à la réparation ou au réglage du cric lorsque ce dernier soutient une charge.
8. Utiliser le cric uniquement lorsque la température est comprise entre -20 et +70 °C [-4 à 158°F].
9. Seuls les techniciens hydrauliques formés et qualifiés doivent inspecter et réparer le cric. Utiliser uniquement des pièces de rechange Enerpac et de l'huile hydraulique HF Enerpac d'origine

3.0 INSTRUCTIONS POUR LA RÉCEPTION

Procéder à un contrôle visuel de tous les composants pour s'assurer qu'ils n'ont pas été endommagés pendant le transport. Les détériorations survenant pendant le transport ne sont pas couvertes par la garantie. Si des détériorations dues au transport sont décelées, le transporteur doit en être averti immédiatement. Le transporteur doit prendre en charge tous les coûts de réparation et de remplacement liés aux détériorations survenues pendant le transport.

4.0 CARACTÉRISTIQUES


Modèle	◆ Capacité tonnes [kN]	Course maximale mm [pouce]	Hauteur minimale mm [pouce]	Hauteur maximale mm [pouce]	Force maximale du levier de pompe kgf [lb]	Hauteur de la vis d'extension mm [pouce]	Poids net kg [lb]	Base mm [pouce]
GBJ-002	2 [19.6]	100 [3.94]	160 [6.30]	310 [12.20]	40 [88.2]	50 [1.97]	3,6 [7.9]	95 x 111 [3.74 x 4.37]
GBJ-002L	2 [19.6]	460 [18.11]	570 [22.44]	1030 [40.55]	40 [88.2]	*	9,6 [21.1]	127 x 127 [5.00 x 5.00]
GBJ-003	3 [29.4]	105 [4.13]	168 [6.61]	338 [13.31]	47 [103.6]	65 [2.56]	4,1 [9.0]	95 x 116 [3.74 x 4.57]
GBJ-005	5 [49]	150 [5.91]	212 [8.35]	437 [17.20]	50 [110.2]	75 [2.95]	5,0 [11.0]	95 x 123 [3.74 x 4.84]
GBJ-008	8 [78.4]	150 [5.91]	219 [8.62]	444 [17.48]	40 [88.2]	75 [2.95]	5,9 [13.0]	95 x 138 [3.74 x 5.43]
GBJ-010	10 [98]	150 [5.91]	219 [8.62]	444 [17.48]	40 [88.2]	75 [2.95]	6,5 [14.3]	95 x 142 [3.74 x 5.59]
GBJ-010S	10 [98]	62 [2.44]	131 [5.16]	223 [8.78]	40 [88.2]	30 [1.18]	5,5 [12.1]	95 x 142 [3.74 x 5.59]
GBJ-015	15 [147]	150 [5.91]	228 [8.98]	453 [17.83]	40 [88.2]	75 [2.95]	9,0 [19.8]	112 x 163 [4.41 x 6.42]
GBJ-020	20 [196]	150 [5.91]	234 [9.21]	459 [18.07]	40 [88.2]	75 [2.95]	12,1 [26.7]	127 x 171 [5.00 x 6.73]
GBJ-020S	20 [196]	105 [4.13]	190 [7.48]	350 [13.78]	40 [88.2]	55 [2.17]	10,0 [22.0]	127 x 171 [5.00 x 6.73]
GBJ-030	30 [294]	150 [5.91]	242 [9.53]	467 [18.39]	40 [88.2]	75 [2.95]	15,5 [34.2]	142 x 196 [5.59 x 7.72]
GBJ-050	50 [490]	150 [5.91]	252 [9.92]	402 [15.83]	40 [88.2]	*	28,5 [62.8]	180 x 230 [7.09 x 9.06]
GBJ-100	100 [980]	150 [5.91]	300 [11.81]	450 [17.72]	30 [66.1]	*	87,0 [191.8]	296 x 333 [11.65 x 13.11]

Remarques :

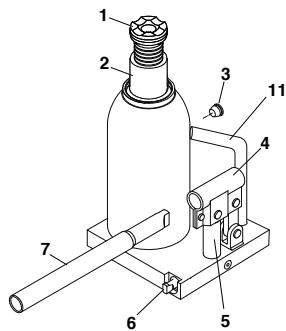
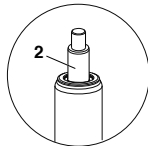
- ◆ Les capacités indiquées en tonnes sont des capacités nominales. Les capacités exprimées en kN sont des capacités réelles

* Modèle de cric non équipé d'une vis d'extension.

Les dimensions indiquées sont approximatives. Toutes les spécifications des produits peuvent faire l'objet de modifications sans préavis.

 Cet outil est conforme aux exigences relatives au marquage CE.

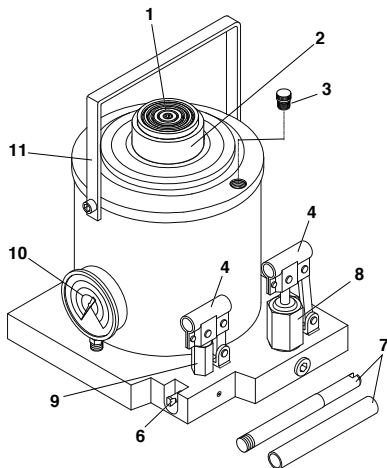
GBJ-002L seulement



Modèles GBJ-002 - GBJ-050

Légende :

1. Socle (tous modèles, sauf GBJ-002L)
2. Piston
3. Bouchon de remplissage d'huile/purge d'air
4. Manchon du levier
5. Pompe (tous modèles, sauf GBJ-100)
6. Valve de décharge
7. Levier de pompe
8. Pompe basse pression (GBJ-100 uniquement)
9. Pompe haute pression (GBJ-100 uniquement)
10. Manomètre (GBJ-100 uniquement)
11. Poignée de levage (modèles GBJ-020 à GBJ-100 uniquement)



Modèle GBJ-100

Illustration 2 – Caractéristiques et composants

5.0 FONCTIONNEMENT

5.1 Avant d'utiliser le cric

1. Vérifier l'état du cric avant de l'utiliser. Ne pas utiliser le cric s'il est endommagé, si des pièces manquent ou en cas de fuite d'huile. Consulter la Section 6.3 pour connaître la liste détaillée des éléments à inspecter.
2. Graisser le mécanisme de la pompe et les pivots avec de l'huile de lubrification. Consulter la Section 6.4. pour connaître les éléments à lubrifier.
3. Retirer le bouchon de remplissage d'huile/purge d'air et vérifier le niveau d'huile. Consulter la Section 6.1 pour connaître les spécifications de l'huile et obtenir des informations supplémentaires.
4. À l'aide de l'extrémité rectangulaire du levier de pompe, faire pivoter la tige de la valve de décharge dans le sens anti-horaire pour ouvrir la valve (ne pas effectuer plus de deux tours). Voir Illustration 3.

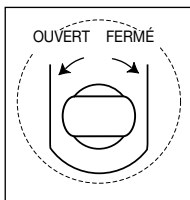


Illustration 3 –
Valve de décharge

5. Insérer le levier de pompe dans son manchon. Actionner le levier 6 à 8 fois. Cela permet de lubrifier les composants internes de la pompe avant le levage.

Remarque : Si le piston monte de façon irrégulière ou si vous remarquez une sensation « de mou » lorsque vous pompez sous charge, appliquez la procédure de purge de l'air. Consulter la Section 6.2.

5.2 Levage de la charge

1. À l'aide de l'extrémité rectangulaire du levier de pompe, faire pivoter la tige de la valve de décharge dans le sens horaire jusqu'à ce que la valve soit complètement fermée.



ATTENTION : Pour éviter toute détérioration, ne appliquer de force excessive lors de la fermeture de la valve.

2. Placer le cric sous un point de levage adapté. Consulter la Section 8.0 pour connaître les informations liées au transport et au positionnement du cric.
3. Insérer le levier de pompe dans son manchon. Le nombre de segments composant le levier et leur longueur varient en fonction du modèle de cric utilisé.

Remarque : Le modèle GBJ-100 est équipé de deux pompes. Pour ce modèle de cric, insérer le levier dans le manchon situé sur la pompe basse pression.

4. Actionner le levier de la pompe jusqu'à ce que le socle soit bien en contact avec la charge. Nos modèles sont équipés d'une vis d'extension, dont la hauteur peut être ajustée. S'assurer que la charge est perpendiculaire au centre du socle du cric.



AVERTISSEMENT :
Pendant le levage,
l'inclinaison de la charge
ne doit pas excéder 6 degrés. Voir
Illustration 4.

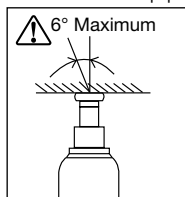


Illustration 4 –
Inclinaison de la charge

- Continuer à actionner le levier de la pompe jusqu'à ce que la charge atteigne la hauteur souhaitée.
- Modèle GBJ-100 uniquement : Lorsque la charge est partiellement levée et que l'effort nécessaire pour pomper augmente considérablement, déplacer le levier sur la pompe haute pression. Continuer à pomper jusqu'à ce que la charge atteigne la hauteur souhaitée.



AVERTISSEMENT : Le modèle GBJ-100 est équipé d'un manomètre calibré pour indiquer le poids approximatif de la charge soulevée. ARRÊTER immédiatement de pomper lorsque le manomètre indique un poids supérieur à 100 tonnes métriques [980 kN]. Le cric ne s'est pas conçu pour lever des charges supérieures à 100 tonnes métriques (110 tonnes courtes).

7. Dès que le levage est terminé, soutenir la charge à l'aide de supports adaptés à son poids.

5.3 Abaissement de la charge

- Actionner le levier de la pompe une ou deux fois, afin de décoller la charge des supports. Retirer les supports situés sous la charge.



AVERTISSEMENT : Lors de l'étape suivante, faire pivoter la valve de décharge doucement. Si la valve de décharge s'ouvre trop rapidement, l'objet en cours d'abaissement pourrait tomber soudainement et le cric pourrait se dégager de la charge. Cela pourrait entraîner des blessures physiques graves et/ou des dommages matériels.



ATTENTION : Éviter les « à-coups » occasionnés par l'ouverture et la fermeture rapides de la valve de décharge pendant l'abaissement de la charge. Les à-coups peuvent entraîner une surcharge du circuit hydraulique du cric et endommager ce dernier.

- À l'aide de l'extrémité rectangulaire du levier de pompe, faire pivoter doucement la tige de la valve de décharge dans le sens anti-horaire jusqu'à ce que la valve s'ouvre et que le piston commence à se rétracter (ne pas effectuer plus de deux tours). Laisser le piston se rétracter jusqu'à ce que la charge soit totalement abaissée.
- Retirer le cric de la zone de levage.
- Appuyer sur le piston pour qu'il retrouve sa position rétractée. Faire pivoter la vis d'extension (le cas échéant) jusqu'en bas afin que les filetages soient parfaitement rentrés et protégés.

5.4 Fonctionnement horizontal (tous modèles, sauf GBJ-100)

Lorsqu'il est utilisé à l'horizontale, le cric doit être orienté de façon à ce que la pompe soit positionnée vers le bas (le plus près possible du sol). Le cric ne fonctionnera pas correctement si la pompe est positionnée vers le haut. Voir l'illustration 5 pour connaître les positions de fonctionnement horizontal.



AVERTISSEMENT : En fonctionnement horizontal, maintenir le cric pour qu'il ne tombe pas.

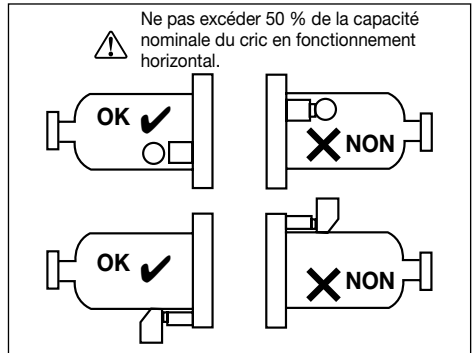


Fig. 5 - Fonctionnement horizontal (toutes modèles à l'exclusion GBJ-100)



AVERTISSEMENT : En fonctionnement horizontal, la capacité nominale du cric est réduite de 50 % ou plus. Veiller à ce que le cric ne soit pas surchargé lorsqu'il est utilisé à l'horizontale.



AVERTISSEMENT : Utiliser un dispositif de blocage et/ou des supports adaptés pour retenir les objets qui ont été écartés et/ou sont sous tension. Ne jamais mettre les mains, les pieds ou toute autre partie du corps sous des objets uniquement soutenus par le cric.

Remarque : Le modèle GBJ-100 ne doit pas être utilisé à l'horizontale.

6.0 ENTRETIEN

6.1 Ajout d'huile hydraulique

Si le niveau d'huile est bas, ajouter de l'huile conformément aux étapes décrites ci-après. Éviter la pénétration de poussières pendant le remplissage.

- Lorsque le piston est complètement rétracté, placer le cric en position verticale. S'assurer que le cric est placé sur une surface plane.
- Retirer le bouchon de remplissage d'huile/purge d'air. Sur tous les modèles de crics (à l'exception du modèle GBJ-100), le bouchon est situé sur le côté du boîtier du cylindre. Sur le modèle GBJ-100, le bouchon est situé sur le dessus du boîtier du cylindre.

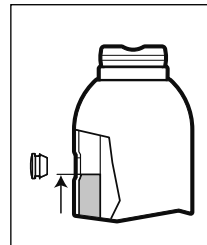


Illustration 6 – Niveau d'huile, tous modèles sauf GBJ-100

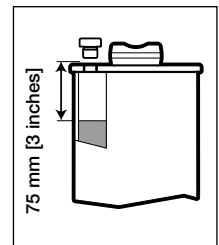


Illustration 7 – Niveau d'huile, modèle GBJ-100 uniquement

IMPORTANT: Ajouter uniquement de l'huile hydraulique HF Enerpac (ISO Grade 32) conservée dans un récipient propre.



AVERTISSEMENT : L'utilisation d'huile pour moteur, de liquide de frein, d'alcool, de glycérol, d'huile végétale ou d'autres liquides inappropriés endommagera le cric et pourra causer des pannes ou des dysfonctionnements. Des blessures physiques et/ou des dommages matériels pourraient survenir.

3. Tous les modèles à l'exception du modèle GBJ-100 : Remplir jusqu'à ce que l'huile soit à peu près au niveau de l'extrémité inférieure de l'orifice de remplissage d'huile. Voir Illustration 6.

4. Modèle GBJ-100 uniquement : Remplir jusqu'à ce que le niveau d'huile atteigne 75 mm [3 inches] en dessous de l'orifice de remplissage d'huile. Voir Illustration 7.



ATTENTION : NE PAS TROP REMPLIR ! Lorsque le piston est totalement rétracté et le cric en position verticale, le niveau d'huile ne doit pas être supérieur à celui indiqué sur les Illustrations 6 et 7 (comme il convient pour le modèle de cric que vous utilisez).

5. Remettre le bouchon de remplissage d'huile/purge d'air en place.

6. Purger l'air comme indiqué à la Section 6.2.

6.2 Purge de l'air

La procédure suivante doit uniquement être effectuée après avoir ajouté de l'huile et lorsqu'une sensation « de mou » est ressentie pendant l'utilisation du cric.

Pour retirer l'air du cric :

1. À l'aide de l'extrémité rectangulaire du levier de pompe, faire pivoter la tige de la valve de décharge dans le sens anti-horaire pour ouvrir la valve (ne pas effectuer plus de deux tours).

2. Insérer le levier de pompe dans son manchon. Actionner le levier 6 à 8 fois.

3. À l'aide de l'extrémité rectangulaire du levier de pompe, faire pivoter la tige de la valve de décharge dans le sens horaire jusqu'à ce que la valve soit complètement fermée.

4. Insérer le levier de pompe dans son manchon. Actionner le levier jusqu'à ce que le piston soit complètement sorti.

5. Actionner à nouveau le levier de pompe 5 ou 6 fois.

6. À l'aide de l'extrémité rectangulaire du levier de pompe, faire pivoter la tige de la valve de décharge dans le sens anti-horaire pour ouvrir la valve (ne pas effectuer plus de deux tours).

7. Appuyer sur le piston jusqu'à ce qu'il soit complètement rétracté.

8. À l'aide de l'extrémité rectangulaire du levier de pompe, faire pivoter la tige de la valve de décharge dans le sens horaire jusqu'à ce que la valve soit complètement fermée.
Ne pas trop serrer !

9. Tous les modèles à l'exception du modèle GBJ-100 : En utilisant vos doigts, pousser le bouchon de remplissage d'huile/purge d'air en caoutchouc sur le côté pour évacuer l'air emprisonné.

10. Modèle GBJ-100 uniquement : Desserrer le bouchon de remplissage d'huile/purge d'air d'un ou deux tours pour évacuer l'air emprisonné. Resserrer le bouchon après avoir évacué l'air.

6.3 Inspection

Procéder à un contrôle visuel du cric avant chaque utilisation. Arrêter le cric immédiatement et prendre des mesures correctives si l'un des problèmes suivants est détecté :

- Boîtier fissuré ou endommagé.
- Usure ou courbure excessive, ou autre détérioration.
- Fuite de liquide hydraulique.
- Tige du piston rayée ou endommagée.
- Dysfonctionnement de la vis d'extension.
- Éléments desserrés.
- Équipement modifié ou altéré.



AVERTISSEMENT : Si le cric semble endommagé et/ou montre des signes de dysfonctionnement, il doit être immédiatement mis hors service. Le cric doit demeurer hors service jusqu'à ce qu'il ait été inspecté et réparé par un service après-vente agréé Enerpac ou par un établissement d'entretien hydraulique qualifié.

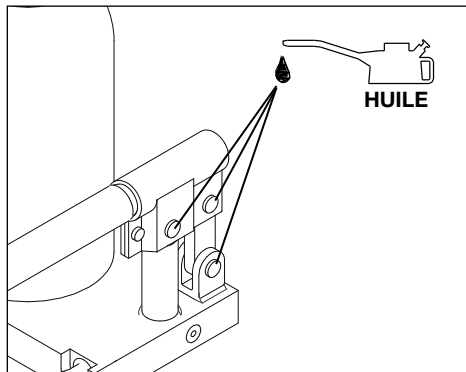


Illustration 8 - Lubrification

6.4 Entretien régulier

Lubrifier minutieusement tous les pivots et couplages avec de l'huile de lubrification avant d'utiliser le cric et tous les 10 cycles de piston. Voir Illustration 8.

Vérifier régulièrement que le piston ne montre pas de signes de corrosion. Si besoin, nettoyer et essuyer avec un chiffon saturé d'huile.

7.0 STOCKAGE

- Avant de stocker le cric :
- Appuyer sur le piston pour qu'il soit complètement rétracté et protégé des détériorations et de la corrosion.
- Vérifier que la vis d'extension (le cas échéant) soit correctement vissée jusqu'en bas pour que les filetages soient protégés.
- Essuyer la poussière et les taches d'huile.
- Vérifier que la valve de décharge est complètement fermée.

Toujours stocker le cric en position verticale, dans un endroit abrité où il ne sera pas exposé aux vapeurs corrosives, aux poussières abrasives et autres éléments nocifs.

8.0 TRANSPORT ET POSITIONNEMENT DU CRIC

- Modèles GBJ-002 à GBJ-050 : Ces modèles peuvent être transportés et positionnés manuellement, sans utiliser de dispositif de levage auxiliaire. Pour davantage de commodité, les modèles GBJ-020, GBJ-020S, GBJ-030 et GBJ-050 sont équipés d'une poignée de levage.
- Modèle GBJ-100 : Ce modèle doit être transporté et positionné à l'aide d'un palan ou d'un dispositif de levage auxiliaire de capacité appropriée. Attacher le crochet du dispositif de levage à la poignée de levage du cric.

Remarque : Modèles GBJ-020 à GBJ-100 : Consulter l'illustration 2 pour connaître l'emplacement de la poignée de levage du cric (élément n°11).

9.0 INSTALLATION DU MANOMÈTRE (GBJ-100 UNIQUEMENT)

Seul le modèle GBJ-100 est équipé d'un manomètre. Le manomètre est livré en pièces détachées et doit être assemblé avant l'utilisation du cric. Voir Illustration 9.

Installer le manomètre conformément aux étapes suivantes :

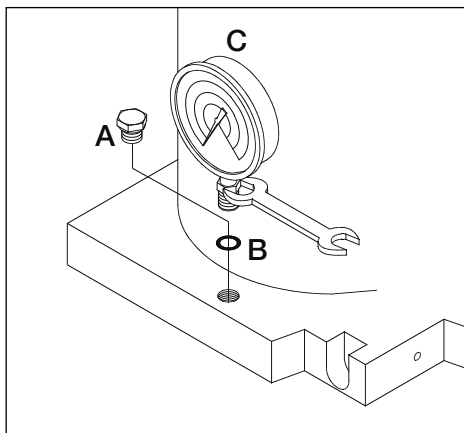
1. Vérifier que le piston est complètement rétracté et qu'aucune charge n'est placée sur le socle.
2. À l'aide d'une clé à fourche de 17 mm, retirer le bouchon d'expédition (A) de l'orifice du manomètre.
3. Vérifier que le joint torique (B) est positionné au fond de l'orifice fileté.
4. Positionner le manomètre (C) sur l'orifice, l'écran vers l'extérieur (vers l'utilisateur).
5. Tout en maintenant fermement le boîtier du manomètre pour qu'il ne bouge pas, visser le raccord à écrou pivotant du manomètre à l'orifice. Serrer le raccord manuellement à l'aide d'une clé à fourche 22 mm.

IMPORTANT : Pour ne pas endommager le joint torique, ne pas utiliser d'extension de clé lors de l'installation du manomètre.

10.0 DÉPANNAGE

Consulter le tableau de dépannage pour connaître les principaux dysfonctionnements du cric, les causes possibles et les solutions.

Pour la réparation, contacter un service après-vente Enerpac agréé. Les inspections et les réparations doivent uniquement être effectuées par un service après-vente Enerpac agréé ou un autre établissement d'entretien hydraulique qualifié.



*Illustration 9 –
Installation du manomètre (GBJ-100 uniquement)*

TABLEAU DE DÉPANNAGE		
DYSFONCTIONNEMENT	CAUSE POSSIBLE	SOLUTION
1. Fonctionnement saccadé.	Présence d'air dans le système.	Évacuer l'air du système. Consulter la Section 6.2 pour savoir comment purger l'air.
	Viscosité de l'huile hydraulique trop élevée.	Retirer toute l'huile usagée du réservoir. Remplir le réservoir avec une quantité adaptée d'huile hydraulique HF Enerpac propre (ISO Grade 32). Consulter la Section 6.1. IMPORTANT: Jeter l'huile usagée conformément aux lois et règlements en vigueur.
	Piston résistant à l'extraction ou courbé.	Retirer la poussière ou les dépôts collants du cric. Vérifier que le cric est bien aligné sous la charge.
	Usure des joints et/ou dommage interne.	Confier le cric à un service après-vente agréé Enerpac pour inspection et réparation.
2. Le piston n'avance pas.	La valve de décharge est ouverte.	Fermer la valve de décharge.
	Faible niveau d'huile.	Remplir le réservoir jusqu'au niveau adapté avec de l'huile hydraulique HF Enerpac (ISO Grade 32). Consulter la Section 6.1.
	Le circuit hydraulique du cric est hermétique à l'air.	Évacuer l'air du système. Consulter la Section 6.2 pour savoir comment purger l'air.
	La charge est supérieure à la capacité du cric.	Utiliser un cric de capacité supérieure adapté à la charge.
3. Le piston sort partiellement.	Faible niveau d'huile.	Remplir le réservoir jusqu'au niveau adapté avec de l'huile hydraulique HF Enerpac (ISO Grade 32). Consulter la Section 6.1.
	Le piston est courbé.	Retirer la poussière ou les dépôts collants du cric. Vérifier que le cric est bien aligné sous la charge.
4. Le piston avance lentement.	Pompe usée ou endommagée.	Confier le cric à un service après-vente agréé Enerpac pour inspection et réparation.
	Usure des joints et/ou dommage interne.	Confier le cric à un service après-vente agréé Enerpac pour inspection et réparation.
5. Le piston avance mais ne maintient pas la pression.	Le clapet anti-retour ne fonctionne pas.	Confier le cric à un service après-vente agréé Enerpac pour inspection et réparation.
6. Fuite d'huile visible sur le boîtier du cric et/ou les composants.	Usure des joints et/ou dommage interne.	Confier le cric à un service après-vente agréé Enerpac pour inspection et réparation. Remarque : Il est normal qu'un petit résidu d'huile se forme sur la surface du piston au cours du fonctionnement normal du cric.
7. Le piston ne se rétracte pas ou se rétracte lentement.	La valve de décharge est fermée.	Valve de décharge ouverte.
	Réservoir trop rempli.	Retirer de l'huile pour que le niveau soit correct. Consulter la Section 6.1.
	Dommage interne.	Confier le cric à un service après-vente agréé Enerpac pour inspection et réparation.

L4000 Rev. C 04/13

1.0 BESCHREIBUNG

Hydraulische Heber der GBJ-Serie von Enerpac sind für das Heben von Lasten gedacht. Diese Produkte erfüllen die Spezifikationen der American National Standards ANSI/ASME PALD 2009 und ASME B30.1-2009.



Lesen Sie die Anleitung und Sicherheitsinformationen sorgfältig durch, bevor Sie versuchen, den Heber zusammenzubauen, zu betreiben oder zu warten. Nichteinhaltung der Anleitung kann zu Verletzungen und/oder Sachschäden führen. Bewahren Sie die Anleitung zum Nachschlagen auf.

Reparaturteileblätter für dieses Produkt erhalten Sie auf der Enerpac-Website www.enerpac.com oder von Ihrem nächstgelegenen autorisierten Enerpac-Servicecenter oder Ihrer Enerpac-Vertriebsniederlassung.

2.0 SICHERHEITSHINWEISE ZUM HEBER

2.1 Gefahrenhinweise

Die folgenden Gefahrenhinweise werden in dieser Bedienungsanleitung verwendet:

GEFAHR: Weist auf eine unmittelbare Gefahr für den Benutzer hin. Nichtbeachten der Sicherheitsmaßnahmen kann zu schweren Verletzungen oder Todesfällen führen!

WARNUNG: Nichtbeachten der Sicherheitsmaßnahmen kann zu Verletzungen oder Todesfällen führen!

ACHTUNG: Nichtbeachten der Sicherheitsmaßnahmen kann zu Verletzungen und/oder Schäden am Heber führen.

Sie sollten die Gefahrenhinweise immer durchlesen und verstehen, bevor Sie den Heber betreiben oder Reparaturen daran vornehmen.

2.2 Allgemeine Sicherheitsmaßnahmen für Heber



GEFAHR: Nichtbeachten der folgenden Sicherheitsmaßnahmen und Anweisungen kann zu schweren Verletzungen oder Todesfällen und zu einem möglichen Verlust der Last führen. Außerdem kann es zu Sachschäden und/oder zu Schäden am Heber kommen.

Siehe Abb. 1.

① Sie müssen alle Anweisungen und Sicherheitsmaßnahmen in diesem Handbuch verstehen, bevor Sie den Heber verwenden.

② Der Heber ist ein reines Hebegerät. Stützen Sie die Last sofort nach dem Heben mit Ständern mit geeigneter Nennleistung oder gleichwertigen Blöcken. Verwenden Sie den Heber nie, um die Last in der gehobenen Position zu stützen, nachdem der Hebevorgang abgeschlossen ist.

③ Verwenden Sie den Heber nur auf einer harten, ebenen Fläche, die die Last tragen kann. Bei Verwendung auf einem schrägen oder weichen Untergrund kann der Heber kippen, der Sattel kann rutschen und es kann zu schweren Verletzungen durch fallende Gegenstände kommen.

④ Arbeiten Sie nicht unter einer Last, die durch Hydraulik getragen wird. Legen Sie Ihre Arme, Ihre Beine oder Ihren Körper nicht unter eine Last, die nur vom Heber getragen wird. Das Arbeiten unter Fahrzeugen oder anderen schweren Gegenständen, wenn der Heber in der gehobenen Position ist, ist strengstens verboten. Es kann zu schweren Verletzungen oder Todesfällen kommen, wenn sich der Heber unerwartet senkt oder unter der Last weg rutscht.

⑤ Achten Sie darauf, dass der Hebepunkt stabil ist und sich die Last in der Mitte des Hebersattels befindet.

⑥ Die Pumpengriffkraft darf die für das verwendete Hebermodell maximal erlaubte Kraft nicht überschreiten. Siehe Tabelle in Abschnitt 4.0.

⑦ Halten Sie den Heber von Flammen und Hitze fern. Nehmen Sie keine Schweißarbeiten am Heber vor und modifizieren Sie ihn nicht.

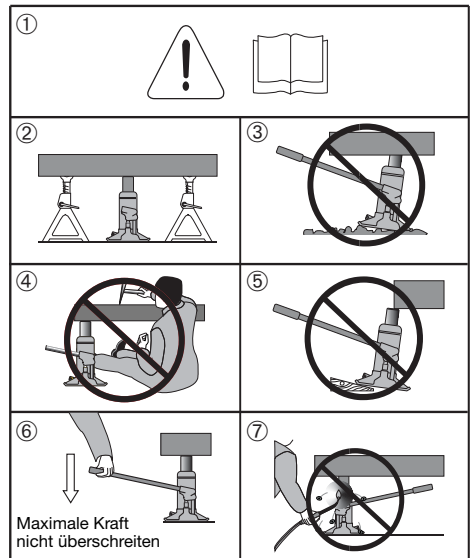


Abb. 1 – Sicherheitsmaßnahmen

2.3 Zusätzliche Sicherheitsmaßnahmen für Heber

- Überlasten Sie den Heber nicht. Die Last darf die Nennkapazität des Hebers nicht überschreiten.
- Heben Sie die Last nicht höher als nötig.
- Stellen Sie keine Gegenstände unter die vom Heber gehobene Last.
- Wenden Sie keine Kraft auf Gegenstände auf, die vom Heber gehoben werden.
- Entfernen Sie den Pumpengriff bei Nichtgebrauch von der Griffklaue am Heber. Verwenden Sie nur den mit dem Heber mitgelieferten Pumpengriff oder einen exakten Austauschartikel mit denselben Spezifikationen.
- Entfernen Sie den Ölfüll-/Luftblasstopfen nur, wenn der Heber vollständig abgesenkt ist.

- Versuchen Sie nie, den Heber zu warten, zu reparieren oder einzustellen, während der Heber eine Last trägt.
- Verwenden Sie den Heber nur bei Umgebungstemperaturen zwischen 020 und +70° C [-4 und 158°F].
- Lassen Sie den Heber nur von qualifizierten Hydraulikfachleuten überprüfen und reparieren. Verwenden Sie nur Original-Enerpac-Ersatzteile und Hydrauliköl der Enerpac HF-Serie.

3.0 EMPFANGSANWEISUNGEN

Überprüfen Sie alle Komponenten visuell auf Versandschäden. Versandschäden sind nicht von der Garantie abgedeckt. Falls Versandschäden entdeckt werden, benachrichtigen Sie umgehend den Spediteur. Der Spediteur ist verantwortlich für alle Reparatur- und Austauschkosten, die sich aus Versandschäden ergeben.


4.0 TECHNISCHE DATEN

Modell	◆ Kapazität in Tonnen [kN]	Max. Hub in mm [Zoll]	Min. Höhe in mm [Zoll]	Max. Höhe in mm [Zoll]	Max. Pumpengriffkraft in kgf [lb]	Ext. Schraubenhöhe in mm [Zoll]	Nettogewicht in kg [lb]	Sockelbereich mm [Zoll]
GBJ-002	2 [19.6]	100 [3.94]	160 [6.30]	310 [12.20]	40 [88.2]	50 [1.97]	3,6 [7.9]	95 x 111 [3.74 x 4.37]
GBJ-002L	2 [19.6]	460 [18.11]	570 [22.44]	1030 [40.55]	40 [88.2]	*	9,6 [21.1]	127 x 127 [5.00 x 5.00]
GBJ-003	3 [29.4]	105 [4.13]	168 [6.61]	338 [13.31]	47 [103.6]	65 [2.56]	4,1 [9.0]	95 x 116 [3.74 x 4.57]
GBJ-005	5 [49]	150 [5.91]	212 [8.35]	437 [17.20]	50 [110.2]	75 [2.95]	5,0 [11.0]	95 x 123 [3.74 x 4.84]
GBJ-008	8 [78.4]	150 [5.91]	219 [8.62]	444 [17.48]	40 [88.2]	75 [2.95]	5,9 [13.0]	95 x 138 [3.74 x 5.43]
GBJ-010	10 [98]	150 [5.91]	219 [8.62]	444 [17.48]	40 [88.2]	75 [2.95]	6,5 [14.3]	95 x 142 [3.74 x 5.59]
GBJ-010S	10 [98]	62 [2.44]	131 [5.16]	223 [8.78]	40 [88.2]	30 [1.18]	5,5 [12.1]	95 x 142 [3.74 x 5.59]
GBJ-015	15 [147]	150 [5.91]	228 [8.98]	453 [17.83]	40 [88.2]	75 [2.95]	9,0 [19.8]	112 x 163 [4.41 x 6.42]
GBJ-020	20 [196]	150 [5.91]	234 [9.21]	459 [18.07]	40 [88.2]	75 [2.95]	12,1 [26.7]	127 x 171 [5.00 x 6.73]
GBJ-020S	20 [196]	105 [4.13]	190 [7.48]	350 [13.78]	40 [88.2]	55 [2.17]	10,0 [22.0]	127 x 171 [5.00 x 6.73]
GBJ-030	30 [294]	150 [5.91]	242 [9.53]	467 [18.39]	40 [88.2]	75 [2.95]	15,5 [34.2]	142 x 196 [5.59 x 7.72]
GBJ-050	50 [490]	150 [5.91]	252 [9.92]	402 [15.83]	40 [88.2]	*	28,5 [62.8]	180 x 230 [7.09 x 9.06]
GBJ-100	100 [980]	150 [5.91]	300 [11.81]	450 [17.72]	30 [66.1]	*	87,0 [191.8]	296 x 333 [11.65 x 13.11]

Hinweise:

- ◆ Die in Tonnen angegebenen Kapazitäten sind nominal, die Werte in KN die tatsächlichen Werten
- * Hebermodell nicht mit Verlängerungsschraube ausgestattet.

Die dargestellten Abmessungen sind ungefähr. Alle Produktspezifikationen können ohne Vorankündigung geändert werden.

 Dieses Werkzeug erfüllt die Anforderungen der CE-Kennzeichnung.

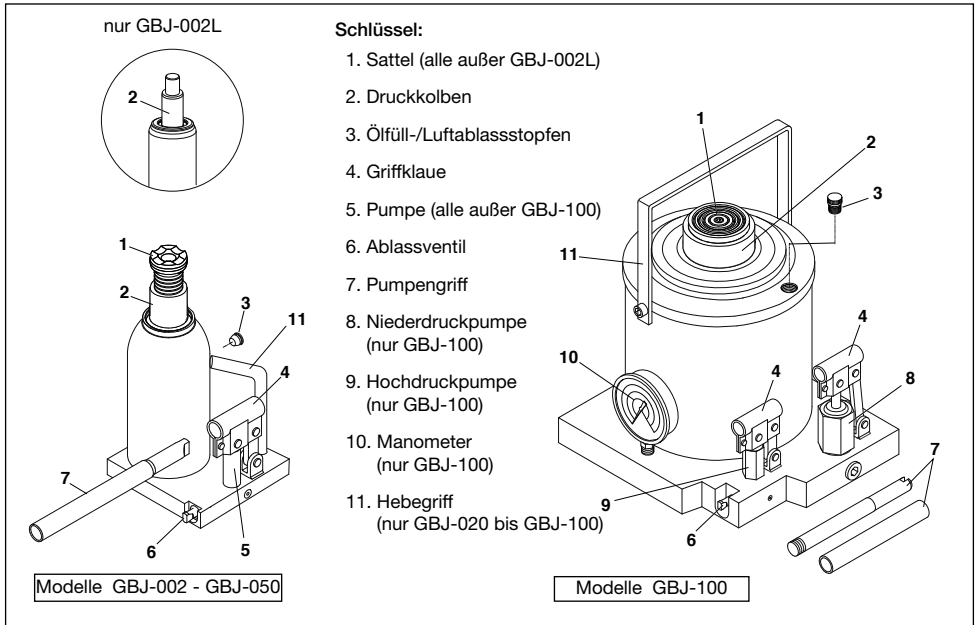


Abb. 2 – Merkmale und Komponenten

5.0 BETRIEB

5.1 Vor Verwendung des Hebers

- Überprüfen Sie vor Gebrauch den Zustand des Hebers. Verwenden Sie den Heber nicht, wenn er beschädigt ist, Teile fehlen oder Öl ausläuft. Eine detaillierte Liste der Inspektionpunkte finden Sie in Abschnitt 6.3.
- Schmieren Sie die Pumpenverbindung und die Gelenkstifte mit Schmieröl. In Abschnitt 6.4 finden Sie die Schmierpunkte.
- Entfernen Sie den Ölfüll-/Luftablasstopfen und prüfen Sie den Ölstand. Ölspezifikationen und zusätzliche Informationen finden Sie in Abschnitt 6.1.
- Drehen Sie mithilfe des rechteckigen Endes des Pumpengriffs die Spindel des Überdruckventils entgegen dem Uhrzeigersinn, um das Ventil zu öffnen (nicht mehr als zwei Umdrehungen). Siehe Abb. 3.

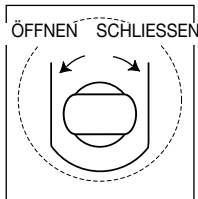


Abb. 3 – Ablassventil

- Stecken Sie den Pumpengriff in die Griffklaue. Führen Sie 6 bis 8 Hübe mit dem Griff durch. Dadurch werden die innere Druckkolben unregelmäßig bewegt oder Sie beim Pumpen unter Last ein schwammiges Gefühl spüren, lassen Sie Luft ab. Siehe Abschnitt 6.2.

5.2 Heben der Last

- Drehen Sie mithilfe des rechteckigen Endes des Pumpengriffs die Spindel des Überdruckventils im Uhrzeigersinn, bis das Ventil vollständig geschlossen ist.



ACHTUNG: Um Schäden zu verhindern, sollten Sie beim Schließen des Ablassventils nicht zu viel Kraft aufwendend excessive force when closing the release valve.

- Stellen Sie den Heber unter den richtigen Hebeort. Informationen zum Transportieren und Positionieren des Hebers finden Sie in Abschnitt 8.0.
- Stecken Sie den Pumpengriff in die Griffklaue. Die Länge und Menge der Griffsegmente unterscheidet sich je nach Hebermodell.

Hinweis: Modell GBJ-100 hat zwei Pumpen. Stecken Sie bei diesem Hebermodell den Pumpengriff in die Klaue an der Niederdruckpumpe.

- Betätigen Sie den Pumpengriff, bis der Sattel festen Kontakt mit der Last hat. Stellen Sie bei Modellen, die mit einer Verlängerungsschraube ausgerüstet sind, die Schraubenhöhe nach Bedarf ein. Achten Sie darauf, dass die Last rechtwinklig zur Mitte des Hebersattels ist.



WARNUNG: Während des Hebens darf die Lastneigung 6 Grad nicht übersteigen. Siehe Abb. 4.

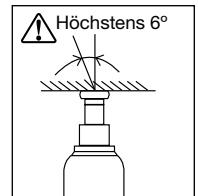


Abb. 4 – Geneigte Last

- Setzen Sie die Betätigung des Pumpengriffs nach Bedarf fort, um die Last bis zur gewünschten Höhe zu heben.
- Nur Modell GBJ-100: Wenn die Last gehoben ist und der Kraftaufwand beim Pumpen merklich steigt, bewegen Sie den Pumpengriff zur Hochdruckpumpe. Fahren Sie mit dem Pumpen fort, bis die Last auf die gewünschte Höhe gehoben ist.



WARNUNG: Modell GBJ-100 ist mit einem Manometer ausgestattet, das für die Angabe des ungefähr gehobenen Gewichts kalibriert ist. STOPPEN Sie das Pumpen umgehend, wenn die Manometeranzeige 980 kN [100 metrische Tonnen] übersteigt. Der Heber ist nicht für das Heben von Lasten mit einem Gewicht über 100 metrischen Tonnen (110 amerikanischen Tonnen) konzipiert.

- Stützen Sie die Last sofort nach Abschluss des Hebens mit Stützböcken mit einem geeigneten zulässigen Gewicht.

5.3 Senken der Last

- Führen Sie ein oder zwei Hübe mit dem Pumpengriff durch, damit die Last von den Stützböcken gehoben wird. Nehmen Sie die Stützböcke unter der Last weg.



WARNUNG: Drehen Sie das Ablassventil im folgenden Schritt langsam. Wenn das Ablassventil zu schnell geöffnet wird, kann der abzusenkende Gegenstand plötzlich fallen, da dies dazu führen kann, dass sich der Heber unter der Last verschiebt. Dies kann zu schweren Verletzungen und/oder Sachschäden führen.



ACHTUNG: AVermeiden Sie „Stoßbelastung“ durch schnelles Öffnen und Schließen des Ablassventils beim Senken der Last. Stoßbelastungen können den Hydraulikkreislauf des Hebers überlasten und den Heber beschädigen.

- Drehen Sie mithilfe des rechteckigen Endes des Pumpengriffs die Spindel des Ablassventils entgegen dem Uhrzeigersinn, bis sich das Ventil öffnet und die Spindel beginnt, zurückzulaufen (nicht mehr als zwei Umdrehungen). Lassen Sie den Druckkolben zurücklaufen, bis die Last vollständig abgesenkt ist.
- Entfernen Sie den Heber aus dem Hebebereich.
- Drücken Sie auf den Druckkolben, damit dieser in die vollständig zurückgezogene Position zurückkehrt. Drehen Sie die Verlängerungsschraube (falls vorhanden) ganz nach unten, so dass die Gewinde vollständig versenkt und vor Schäden geschützt sind.

5.4 zontaler Betrieb (alle Modelle außer GBJ-100)

Beim horizontalen Betrieb muss der Heber so ausgerichtet werden, dass die Pumpe nach unten zeigt und möglichst nach am Boden ist. Der Heber funktioniert nicht richtig, wenn die Pumpe nach oben zeigt. Horizontale Betriebsposition siehe Abb. 5.



WARNUNG: Stützen Sie den Heber während des horizontalen Betriebs, damit er nicht fällt.



WARNUNG: Bei horizontalem Betrieb beträgt die Heberkapazität 50 Prozent oder weniger als die Nennleistung. Gehen Sie vorsichtig vor, um sicherzustellen, dass der Heber während des horizontalen Betriebs nicht überlastet wird.

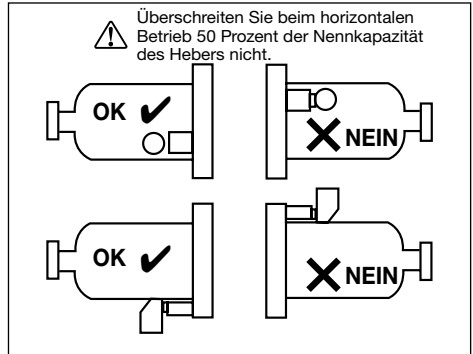


Abb. 5 – Horizontaler Betrieb (alle Modelle außer GBJ-100)



WARNUNG: Verwenden Sie immer Blöcke und/oder Stützen mit geeigneter Nennleistung, um Gegenstände zu halten, die auseinandergedrückt wurden und/oder unter Spannung sind. Legen Sie Ihre Hände, Ihre Beine oder Ihren Körper nicht zwischen Gegenstände, die nur vom Heber getragen werden.

Hinweis: Modell GBJ-100 darf nur in der horizontalen Position verwendet werden.

6.0 WARTUNG

6.1 Hinzufügen von Hydrauliköl

Fügen Sie bei niedrigem Ölstand zusätzliches Öl wie in den folgenden Schritten beschrieben hinzu. Vermeiden Sie Schmutzeintrag während des Füllens.

- Stellen Sie bei vollständig zurückgezogenem Druckkolben den Heber in die aufrechte Position. Achten Sie darauf, dass die Fläche unter dem Heber eben ist.
- Entfernen Sie den Ölfüll-/Luftablassstopfen. Bei allen Hebern mit Ausnahme von Modell GBJ-100 befindet sich der Stopfen an der Seite des Zylindergehäuses. Nur bei Modell GBJ-100 befindet sich der Stopfen oben auf dem Zylindergehäuse.

WICHTIG: Verwenden Sie nur Hydrauliköl der Enerpac HF-Serie (ISO Güteklasse 32) aus einem sauberen Behälter.



Abb. 6 – Ölstand alle Modelle mit Ausnahme von GBJ-100

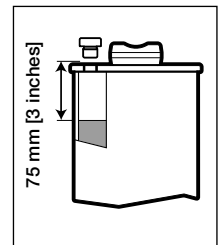


Abb. 7 – Ölstand nur Modell GBJ-100



WARNUNG: Die Verwendung von Motoröl, Bremsflüssigkeit, Alkohol, Glycerin, Pflanzenöl oder anderen nicht zugelassenen Flüssigkeiten beschädigt den Heber, was zu einem möglichen Ausfall oder einer Fehlfunktion des Geräts führen kann. Es können Verletzungen und/oder Sachschäden auftreten.

3. e Modelle mit Ausnahme von GBJ-100: Füllen Sie Öl bis zum oberen Rand des Öfülllochs ein. Siehe Abb. 6.

4. Nur Modell GBJ-100: Füllen Sie Öl bis ca. 75 mm [3 inch] unter dem Öfüllloch ein. Siehe Abb. 7.



ACHTUNG: NICHT ZU VIEL ÖLEINFÜLLEN! Bei vollständig zurückgezogenem Druckkolben und Heber in aufrechter Position sollte der Ölstand nicht höher als in Abb. 6 oder Abb. 7 dargestellt sein (je nach Ihrem Hebermodell).

5. Bringen Sie den Öfüll-/Luftablassstopfen wieder an.

6. Lassen Sie die Luft wie in Abschnitt 6.2 beschrieben ab.

6.2 Ablassen der Luft

Das folgende Verfahren sollte nach dem Hinzufügen von Öl und immer, wenn ein „schwammiges“ Gefühl während des Heberbetriebs bemerkt wird, durchgeführt werden.

So entfernen Sie Luft aus dem System:

1. rehen Sie mithilfe des rechteckigen Endes des Pumpengriffs die Spindel des Ablassventils entgegen dem Uhrzeigersinn, um das Ventil zu öffnen (nicht mehr als zwei Umdrehungen).

2. Stecken Sie den Pumpengriff in die Griffklaue. Führen Sie 6 bis 8 Hübe mit dem Griff durch.

3. Drehen Sie mithilfe des rechteckigen Endes des Pumpengriffs die Spindel des Ablassventils im Uhrzeigersinn, bis das Ventil vollständig geschlossen ist.

4. Stecken Sie den Pumpengriff in die Griffklaue. Betätigen Sie den Griff, bis der Druckkolben voll ausgefahren ist.

5. Führen Sie zusätzliche 5 bis 6 Hübe mit dem Pumpengriff durch.

6. Drehen Sie mithilfe des rechteckigen Endes des Pumpengriffs die Spindel des Ablassventils entgegen dem Uhrzeigersinn, um das Ventil zu öffnen (nicht mehr als zwei Umdrehungen).

7. Drücken Sie den Druckkolben ganz nach unten, bis er vollständig zurückgezogen ist.

8. Drehen Sie mithilfe des rechteckigen Endes des Pumpengriffs die Spindel des Ablassventils im Uhrzeigersinn, bis das Ventil vollständig geschlossen ist. Nicht zu sehr festziehen!

9. Alle Modelle mit Ausnahme von GBJ-100: Drücken Sie den Öfüll-/Luftablassstopfen aus Gummi mit den Fingern zur Seite, um eingeschlossene Luft zu entfernen.

10. Nur Modell GBJ-100: Lösen Sie den Öfüll-/Luftablassstopfen um 1 bis 2 Umdrehungen, um eingeschlossene Luft zu entfernen. Ziehen Sie den Stopfen nach dem Entfernen der Luft wieder an.

6.3 Inspektion

Überprüfen Sie den Heber vor jedem Gebrauch visuell.

Nehmen Sie den Heber sofort außer Betrieb und ergreifen Sie Gegenmaßnahmen, falls eines der folgenden Probleme auftritt:

- Gerissenes oder beschädigtes Gehäuse.
- Übermäßiger Verschleiß, Verbiegen oder anderer Schaden.
- Auslaufen von Hydraulikflüssigkeit.
- Abgerissene oder beschädigte Kolbenstange (Druckkolben).

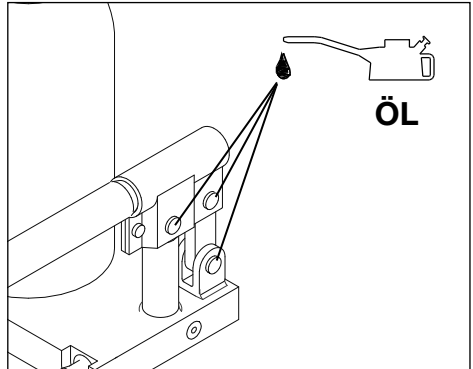


Abb. 8 – Schmierung

e. Nicht richtig funktionierende Verlängerungsschraube.

f. Lose Metallmontageteile.

g. Modifiziertes oder geändertes Gerät.



WARNUNG: Wenn der Heber irgendwie beschädigt scheint und/oder Anzeichen für Fehlfunktionen auftreten, muss er sofort außer Betrieb genommen werden. Der Heber darf erst wieder in Betrieb genommen werden, wenn er von einem autorisierten Enerpac-Servicecenter oder einer anderen qualifizierten Hydraulikserviceeinrichtung überprüft und repariert wurde.

6.4 Regelmäßige Wartung

Schmieren Sie alle Gelenkstäbe und Verbindungen sorgfältig mit Schmieröl, bevor Sie den Heber verwenden und nach jeweils 10 Nach-oben-/Nach-unten-Zyklen des Druckkolbens. Siehe Abb. 8.

Prüfen Sie den Druckkolben regelmäßig auf Anzeichen von Korrosion. Reinigen Sie ihn bei Bedarf und wischen Sie ihn mit einem ölgetränkten Tuch ab.

7.0 AUFBEWAHRUNG

Vor Aufbewahrung des Hebers:

- Drücken Sie den Druckkolben ganz nach unten, so dass er voll zurückgezogen und vor Schäden und Korrosion geschützt ist.
- Achten Sie darauf, dass die Verlängerungsschraube (falls vorhanden) ganz nach unten gedreht ist, um die Gewinde vor Schäden zu schützen.
- Wischen Sie Schmutz oder Öl ab.
- Achten Sie darauf, dass das Ablassventil vollständig geschlossen ist.

Lagern Sie den Heber immer in aufrechter Position, an einem geschützten Ort, an dem er keinen korrodierenden Dämpfen, abrasivem Staub oder anderen schädlichen Elementen ausgesetzt ist.

8.0 TRANSPORTIEREN UND POSITIONIEREN DES HEBERS

- Modelle GBJ-002 bis GBJ-050: Diese Modelle können von Hand, ohne Verwendung eines Hilfshebergeräts transportiert und positioniert werden. Zur zusätzlichen Bequemlichkeit ist an den Modellen GBJ-020, GBJ-020S, GBJ-030 und GBJ-050 ein Hebegriff angebracht.

- Modell GBJ-100: Dieses Modell muss mithilfe einer Winde oder eines anderen Hilfshebeegeräts mit geeigneter Kapazität transportiert und positioniert werden. Befestigen Sie den Haken des Hebeegeräts am Hebegriff des Hebbers.

Hinweis: Modelle GBJ-020 bis GBJ-100: Position des Hebegriiffs des Hebbers siehe Abb. 2 (Element Nr. 11).

9.0 EINBAU DES MANOMETERS (NUR GBJ-100)

Ein Manometer wird nur bei Modell GBJ-100 verwendet. Das Manometer wird lose geliefert und muss vor Inbetriebnahme des Hebbers eingebaut werden. Siehe Abb. 9.

Bauen Sie das Manometer wie in den folgenden Schritten beschrieben ein:

1. Achten Sie darauf, dass der Druckkolben vollständig zurückgezogen ist und dass sich keine Last auf dem Sattel befindet.
2. Entfernen Sie mit einem 17-mm-Maulschlüssel die Transportsicherung (A) vom Manometeranschluss.
3. Achten Sie darauf, dass der O-Ring (B) sich unten am Gewindeanschluss befindet.
4. Positionieren Sie das Manometer (C) über dem Anschluss mit der Skala nach außen, in Richtung Benutzer.
5. Halten Sie das Manometergehäuse fest, damit es sich nicht bewegen kann, und schrauben Sie die Manometerdrehverschraubung in den Anschluss. Ziehen Sie die Verschraubung mit einem 22-mm-Maulschlüssel von Hand fest.

WICHTIG: Um Schäden am O-Ring zu verhindern, sollten Sie beim Einbau des Manometers keine Schraubschlüsselverlängerung verwenden.

10.0 FEHLERBEHEBUNG

Eine Liste häufiger Hebbersymptome, möglicher Ursachen und Lösungen finden Sie in der Fehlerbehebungstabelle.

Wenden Sie sich für die Reparatur an ein autorisiertes Enerpac-Servicecenter. Inspektion und Reparaturen sollten nur von einem autorisierten Enerpac-Servicecenter oder einer anderen qualifizierten Hydraulikserviceeinrichtung durchgeführt werden.

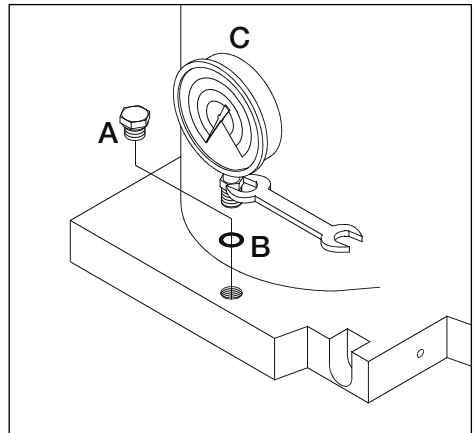


Abb. 9 – Einbau des Manometers (nur GBJ-100)

FEHLERBEHEBUNGSTABELLE

SYMPTOM	MÖGLICHE URSACHE	LÖSUNG
1. Unregelmäßige Aktion.	Luft im System.	Luft aus dem Gerät ablassen. Eine Anleitung für das Ablassen der Luft finden Sie in Abschnitt 6.2.
	Viskosität des Hydrauliköls zu hoch.	Gesamtes altes Öl aus dem Behälter ablassen. Wieder bis zum richtigen Stand mit Enerpac-Hydrauliköl des Typs HF (ISO Güteklasse 32) füllen. Siehe Abschnitt 6.1. WICHTIG: Verbrauchtes Öl gemäß allen geltenden Gesetzen und Bestimmungen entsorgen.
	Druckkolben hängt oder klemmt.	Schmutz oder klebrige Ablagerungen vom Heber entfernen. Darauf achten, dass der Heber unter Last nicht falsch ausgerichtet ist.
	ngsverschleiß und/oder interner Schaden.	Heber von einem autorisierten Enerpac-Servicecenter überprüfen und reparieren lassen.
2. Druckkolben läuft nicht vor.	Ablassventil ist offen.	Ablassventil schließen.
	Niedriger Ölstand.	Behälter bis zum richtigen Stand mit Enerpac-Hydrauliköl des Typs HF (ISO Güteklasse 32) füllen. Siehe Abschnitt 6.1.
	Luft im Hydraulikkreislauf des Hebers eingeschlossen.	Luft aus dem Gerät ablassen. Eine Anleitung für das Ablassen der Luft finden Sie in Abschnitt 6.2.
	Last ist größer als die Kapazität des Hebers.	Verwenden Sie einen Heber mit höherer Kapazität und einer geeigneten zulässigen Last.
3. Druckkolben fährt nur teilweise aus.	Niedriger Ölstand.	Behälter bis zum richtigen Stand mit Enerpac-Hydrauliköl des Typs HF (ISO Güteklasse 32) füllen. Siehe Abschnitt 6.1.
	Druckkolben klemmt.	Schmutz oder klebrige Ablagerungen vom Heber entfernen. Darauf achten, dass der Heber unter Last nicht falsch ausgerichtet ist.
4. Druckkolben läuft langsam vor.	Pumpenbaugruppe abgenutzt oder beschädigt.	Heber von einem autorisierten Enerpac-Servicecenter überprüfen und reparieren lassen.
	Dichtungsverschleiß und/oder interner Schaden.	Heber von einem autorisierten Enerpac-Servicecenter überprüfen und reparieren lassen.
5. Druckkolben läuft vor, hält aber den Druck nicht.	Rückschlagventil funktioniert nicht.	Heber von einem autorisierten Enerpac-Servicecenter überprüfen und reparieren lassen.
6. Sichtbares Ölleck am Hebergehäuse und/oder den Komponenten.	Dichtungsverschleiß und/oder interner Schaden.	Heber von einem autorisierten Enerpac-Servicecenter überprüfen und reparieren lassen. Hinweis: Eine kleine Menge Restöl auf der Oberfläche des Druckkolbens während des routinemäßigen Heberbetriebs ist normal.
7. Druckkolben fährt nicht zurück oder fährt langsam zurück.	Ablassventil ist geschlossen.	Ablassventil öffnen.
	Behälter überfüllt.	Öl bis zum richtigen Stand ablassen. Siehe Abschnitt 6.1.
	Interner Schaden.	Heber von einem autorisierten Enerpac-Servicecenter überprüfen und reparieren lassen.

L4000 Rev. C 04/13

1.0 DESCRIZIONE

I Martinetti idraulici a bottiglia della Serie GBJ sono studiati per sollevare i carichi. Questi prodotti rispondono alle specifiche degli Standard Nazionali ANSI/ASME PALD 2009 ed ASME B30.1-2009.



Leggere accuratamente le istruzioni e le informazioni di sicurezza prima di tentare di

montare, fare funzionare o fare la manutenzione del martinetto a bottiglia. La mancata osservanza di queste istruzioni potrebbe risultare nel ferimento delle persone e/o in danni alle proprietà. Conservare le istruzioni per consultarle in caso di bisogno.

Gli elenchi dei ricambi per questo prodotto sono disponibili nel sito web dell'Enerpac www.enerpac.com, oppure presso il più vicino Centro di Servizio Autorizzato oppure presso l'ufficio vendite dell'Enerpac.

2.0 INFORMAZIONI DI SICUREZZA DEL MARTINETTO A BOTTIGLIA

2.1 Denunce di rischio

Le seguenti denunce del pericolo di rischio sono usate in questo manuale di istruzioni:

PERICOLO: Indica pericolo imminente per l'utente. La mancata osservanza delle precauzioni può risultare in un serio ferimento delle persone o nella morte.

AVVISO: La mancata osservanza delle precauzioni può risultare in un serio ferimento delle persone o nella morte.

ATTENZIONE: La mancata osservanza della precauzione può risultare nel ferimento delle persone e/o in danni al martinetto.

Leggere sempre e comprendere tutti i casi di rischio prima di azionare il martinetto o fare delle riparazioni.

2.2 Precauzioni Generali di Sicurezza per il Martinetto a Bottiglia



PERICOLO: La mancata attenzione alle seguenti precauzioni ed istruzioni può risultare in un serio ferimento personale oppure nella morte nella possibile perdita di carico. Si possono verificare anche danni alla proprietà e/o danni al martinetto.

Verdere la Fig. 1.

① Leggere e capire tutte le istruzioni e le precauzioni di sicurezza in questo manuale prima di usare il martinetto.

- ② Apparecchiatura di sollevamento. Supportare il carico immediatamente dopo il sollevamento oppure il bloccaggio equivalente. Non usare mai il martinetto nella posizione sollevata dopo che si è completato il sollevamento.
- ③ Usare il martinetto su di una superficie capace di supportare il carico. Se usato su terreno inclinato o morbido, il martinetto può inclinarsi, la sella può scivolare e ne possono risultare dei ferimenti da oggetti che cadono.
- ④ Non lavorare sotto un carico supportato da apparecchiature idrauliche. Non stare mai con un braccio, sotto in carico che sia supportato solo dal martinetto. Lavorare sotto veicoli ed altri oggetti pesanti con il martinetto in posizione sollevata è strettamente proibito. Ne può derivare il ferimento serio delle persone o la morte se il martinetto si abbassa inaspettatamente o si sposta da sotto il carico.
- ⑤ Accertarsi che il punto di sollevamento sia stabile e che il carico sia centrato sulla sella del martinetto.
- ⑥ La forza esercitata sull'impugnatura non deve eccedere il massimo permesso per il martinetto che si sta usando. Vedere la Tabella nella Sezione 4.0.
- ⑦ Tenere il martinetto lontano dalle fiamme e dal calore. Non saldare o modificare il martinetto.

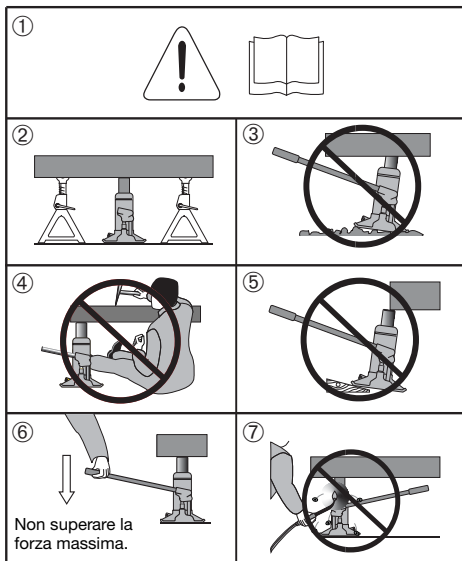


Fig. 1 - Precauzioni di Sicurezza

2.3 Precauzioni Addizionali di Sicurezza per i martinetti a bottiglia

1. Non sovraccaricare il martinetto. Il carico non deve superare la capacità stabilita per il martinetto.
2. Non sollevare il carico più in alto del necessario.
3. Non collocare degli oggetti sotto al carico che si sta sollevando col martinetto.
4. Non applicare delle forze a qualsiasi oggetto che si sta sollevando.
5. Rimuovere l'impugnatura della pompa dal suo attacco quando non si usa. Usare solo l'impugnatura fornita con il martinetto oppure un'altra, purché con le stesse specifiche.
6. Non svuotare l'olio di riempimento del martinetto o il tappo di sfiato dell'olio per nessuna ragione a meno che il martinetto sia completamente abbassato.

7. Non tentare mai di fare la manutenzione, le riparazioni o le regolazioni del martinetto mentre sta supportando un carico.

8. Usare il martinetto con temperature ambiente tra -4 to 158°F [da -20 fino a +70°C].

9. Permettere solo a specialisti qualificati per l'idraulica di ispezionare e riparare il martinetto. Usare solo parti di ricambio originali ed olio idraulico originale Enerpac Serie HF.

3.0 ISTRUZIONI PER IL RICEVIMENTO

spezionare visivamente tutti i componenti per eventuali danni di spedizione. I danni di spedizione non sono coperti dalla garanzia. Se si nota un danno dovuto alla spedizione, notificarlo subito allo spedizioniere. Lo spedizioniere è responsabile per le riparazioni ed i costi risultanti dai danni dovuti alla spedizione.

4.0 SPECIFICHE

Modello	◆ Capacità tonn. [kN]	Corsa Max. mm [pollici]	Altezza Min. mm [pollici]	Altezza Max. mm [pollici]	Forza Max sull'impugnatura kg [lb]	Altezza vite est. mm [pollici]	Peso netto in kg [lb]	Area Base in mm [pollici]
GBJ-002	2 [19.6]	100 [3.94]	160 [6.30]	310 [12.20]	40 [88.2]	50 [1.97]	3,6 [7.9]	95 x 111 [3.74 x 4.37]
GBJ-002L	2 [19.6]	460 [18.11]	570 [22.44]	1030 [40.55]	40 [88.2]	*	9,6 [21.1]	127 x 127 [5.00 x 5.00]
GBJ-003	3 [29.4]	105 [4.13]	168 [6.61]	338 [13.31]	47 [103.6]	65 [2.56]	4,1 [9.0]	95 x 116 [3.74 x 4.57]
GBJ-005	5 [49]	150 [5.91]	212 [8.35]	437 [17.20]	50 [110.2]	75 [2.95]	5,0 [11.0]	95 x 123 [3.74 x 4.84]
GBJ-008	8 [78.4]	150 [5.91]	219 [8.62]	444 [17.48]	40 [88.2]	75 [2.95]	5,9 [13.0]	95 x 138 [3.74 x 5.43]
GBJ-010	10 [98]	150 [5.91]	219 [8.62]	444 [17.48]	40 [88.2]	75 [2.95]	6,5 [14.3]	95 x 142 [3.74 x 5.59]
GBJ-010S	10 [98]	62 [2.44]	131 [5.16]	223 [8.78]	40 [88.2]	30 [1.18]	5,5 [12.1]	95 x 142 [3.74 x 5.59]
GBJ-015	15 [147]	150 [5.91]	228 [8.98]	453 [17.83]	40 [88.2]	75 [2.95]	9,0 [19.8]	112 x 163 [4.41 x 6.42]
GBJ-020	20 [196]	150 [5.91]	234 [9.21]	459 [18.07]	40 [88.2]	75 [2.95]	12,1 [26.7]	127 x 171 [5.00 x 6.73]
GBJ-020S	20 [196]	105 [4.13]	190 [7.48]	350 [13.78]	40 [88.2]	55 [2.17]	10,0 [22.0]	127 x 171 [5.00 x 6.73]
GBJ-030	30 [294]	150 [5.91]	242 [9.53]	467 [18.39]	40 [88.2]	75 [2.95]	15,5 [34.2]	142 x 196 [5.59 x 7.72]
GBJ-050	50 [490]	150 [5.91]	252 [9.92]	402 [15.83]	40 [88.2]	*	28,5 [62.8]	180 x 230 [7.09 x 9.06]
GBJ-100	100 [980]	150 [5.91]	300 [11.81]	450 [17.72]	30 [66.1]	*	87,0 [191.8]	296 x 333 [11.65 x 13.11]

Notes:

◆ Le Capacità date in tonn. Sono nominali, i valori in KN sono effettivi.

* Modello di martinetto non equipaggiato con vite di prolunga.

Le Dimensioni date sono approssimative. Tutte le specifiche del prodotto sono soggette a cambiamenti senza preavviso.



Questo attrezzo è conforme alle richieste del marchio CE.

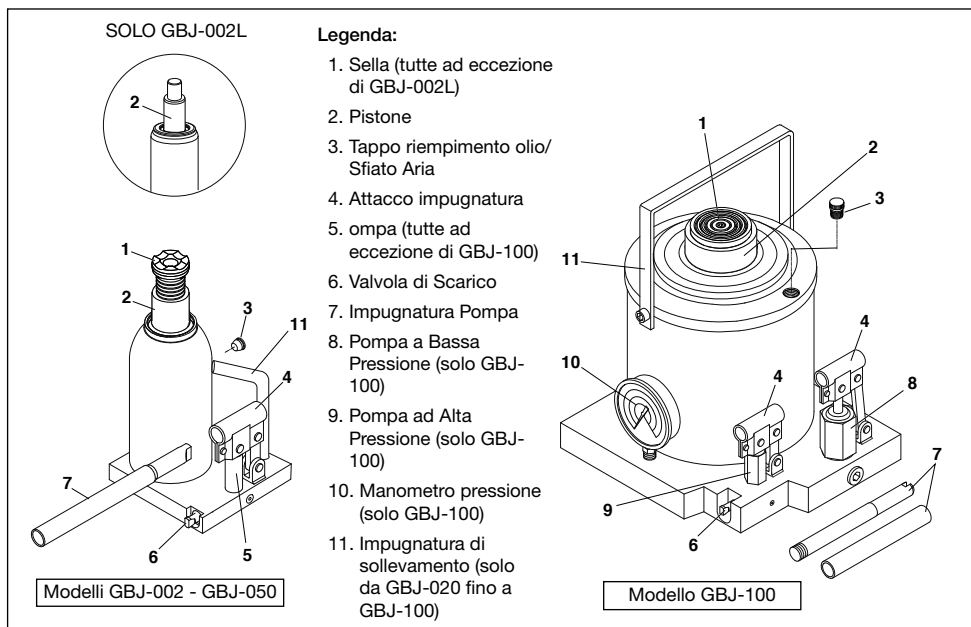


Fig. 2 - Caratteristiche e Componenti

5.0 FUNZIONAMENTO

5.1 Prima di usare il martinetto

1. Ispezionare le condizioni del martinetto prima dell'uso. Non usare il martinetto se è danneggiato, se mancano delle parti o se perde olio. Fare Riferimento alla Sezione 6.3 per l'elenco dettagliato delle voci da ispezionare.
2. Lubrificare il collegamento della pompa ed i perni di incernieramento con olio lubrificante. Fare riferimento alla Sezione 6.4 per i punti da lubrificare.
3. Togliere il tappo di riempimento dell'olio/sfiato dell'aria e controllare il livello dell'olio. Fare riferimento alla Sezione 6.1 per le specifiche dell'olio ed informazioni addizionali.
4. Usando la manopola della pompa con l'estremità rettangolare, girare lo stelo della valvola di scarico in senso anti-orario per aprire la valvola (non fare più di due giri). Vedere la Fig. 3.
5. Inserire la manopola della pompa dentro al suo attacco. Azionare la manopola per 6 fino ad 8 corse. Questo servirà a lubrificare le parti interne della pompa prima del sollevamento.

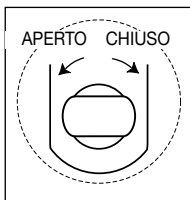


Fig. 3 - Valvola di scarico

Nota: Se il pistone monta erraticamente o se lo fa elasticamente mentre si pompa sotto carico, effettuare una procedura di spurgo dell'aria. Fare riferimento alla Sezione 6.2.

5.2 Sollevamento del carico

1. Usando l'estremità rettangolare della manopola della pompa, girare lo stelo in senso orario fino che la valvola sia completamente chiusa.



ATTENZIONE: Per non fare dei danni, non usare una forza eccessiva quando si chiude la valvola di scarico.

2. Posizionare il martinetto sotto al punto di sollevamento più adatto. Fare riferimento alla Sezione 8.0 per le informazioni sul trasporto ed il posizionamento del martinetto.
3. Inserire la manopola della pompa dentro all'attacco della manopola stessa. La lunghezza e la quantità di segmenti della manopola variano secondo il modello di martinetto.

Nota: Model GBJ-100 has two pumps. For this jack model, insert pump handle into the socket on the low pressure pump.

4. Azionare la manopola della pompa fino a che la sella entra in contatto fermo con il carico. Nei modelli equipaggiati con una vite di estensione, regolare l'altezza della vite come richiesto. Accertarsi che il carico sia perpendicolare al centro della sella del martinetto.



AVVISO: Durante il sollevamento, il carico inclinato non deve superare i 6°. Vedere la Fig. 4.



Fig. 4 - Carico inclinato

5. Continuare ad azionare la manopola della pompa come richiesto per sollevare il carico all'altezza desiderata.
6. Modello GBJ-100 soltanto: Dopo che il carico è stato parzialmente sollevato, spostare la manopola della pompa sulla pompa ad alta pressione. Continuare a pompare fino a che il carico sia sollevato all'altezza desiderata.



Avviso: il Modello GBJ-100 è equipaggiato con un manometro calibrato per indicare il peso approssimativo che sta venendo sollevato. **NON** pompate più immediatamente se la lettura del manometro eccede le 100 tonnellate metriche [980 kN]. Il martinetto non è progettato per sollevare pesi più grandi di 100 tonnellate metriche (ossia in America 110 short tons, pari a 110 tonnellate di 907,1853 kg).

6. Immediatamente dopo che il sollevamento è stato completato, supportare il carico con supporti a binda adatti per il peso che debbono portare.

5.3 Abbassamento del carico

1. Azionare la manopola della pompa per una o due corse, in modo tale che il carico sia sollevato dai supporti a binda. Rimuovere i supporti a binda da sotto il carico.



AVVISO: Girare la valvola di scarico lentamente nel passo seguente. Se la valvola di scarico fosse aperta troppo rapidamente, l'oggetto che sta venendo abbassato potrebbe calare di colpo, possibilmente causando lo spostamento del supporto a binda da sotto il carico. Ne potrebbe risultare un serio ferimento delle persone e/o danni alla proprietà.



ATTENZIONE: Evitare "l'applicazione improvvisa dei carichi" creata dall'apertura e dalla chiusura rapida della valvola di scarico mentre il carico sta venendo abbassato. I carichi applicati improvvisamente possono sovraccaricare il circuito e danneggiare il martinetto.

2. Usando l'estremità rettangolare della manopola della pompa, girare lentamente lo stelo della valvola di scarico in senso antiorario fino a che la valvola si apra ed il pistone inizi a rientrare (non girare più di due giri). Lasciare che il pistone continui a rientrare fino a che il carico sia completamente abbassato.
3. Togliere il martinetto dalla zona del sollevamento.
4. Premere verso il basso sul pistone per farlo tornare completamente nella posizione di rientro. Girare la vite di estensione (se montata) per tutta la corsa verso il basso così che i filetti siano tutti rientrati e protetti da eventuali danni.

5.4 Funzionamento orizzontale (tutti i modelli eccetto GBJ-100)

Quando è azionato orizzontalmente, il martinetto deve essere orientato in maniera tale che la pompa sia collocata in basso, il più vicino a terra. Il martinetto non funzionerà correttamente se la pompa è collocata in alto. Vedere la Fig. 5 per le posizioni di funzionamento orizzontali.



AVVISO: Supportare il martinetto durante il funzionamento orizzontale cosicché non possa cadere.



AVVISO: La capacità del martinetto è del 50 per cento o meno del valore normale quando è azionato orizzontalmente. Avere cura che il martinetto non sia sovraccaricato durante il funzionamento orizzontale.



AVVISO: Usare sempre bloccaggi e/o supporti della portata appropriata per trattenere oggetti che siano stati spinti di lato e/o che siano in tensione. Non ponete mai le vostre mani, piedi o corpo interponendoli tra oggetti che siano supportati solo dal martinetto.

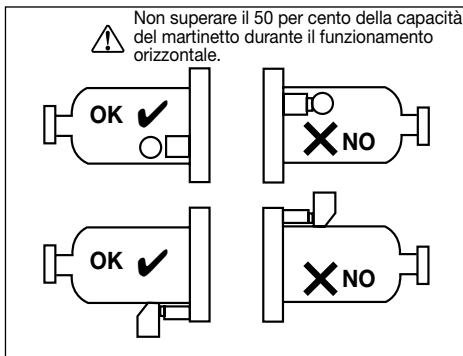


Fig. 5 - Funzionamento orizzontale (tutti i modelli ad eccezione del GBJ-100)

Nota: Il Modello GBJ-100 non dovrebbe mai essere usato nella posizione orizzontale.

6.0 MANUTENZIONE

6.1 Aggiunta di olio idraulico

Se il livello dell'olio è basso, aggiungere dell'olio come descritto nei passi seguenti. Fare attenzione che non entri dello sporco durante il riempimento.

1. Con il pistone completamente rientrato, posizionare il martinetto nella posizione verticale. Accertarsi che la superficie sotto al martinetto sia livellata.
2. Rimuovere il tappo di riempimento dell'olio e scarico dell'aria. Per tutti i martinetti, ad eccezione del modello GBJ-100, il tappo è situato sul lato dell'involucro del cilindro. Solo sul modello GBJ-100, il tappo è collocato in cima all'involucro del cilindro.

IMPORTANTE: Usare solo olio idraulico Enerpac Serie HF (ISO Grado 32) versato da un contenitore pulito.



AVVISO: L'uso di olio per motori, fluido per freni, alcool, glicerina, olio vegetale o altri fluidi non approvati danneggerà il martinetto, risultando in una sua possibile rottura. Ne potrebbe derivare il ferimento delle persone e/o il danno alla proprietà.

3. Tutti i modelli ad eccezione del GBJ-100: Riempire di olio fino a che raggiunga il bordo inferiore del foro di riempimento. Vedere la Fig. 6.
4. Solo per il modello GBJ-100: Riempire fino a che l'olio sia di circa 3 pollici [75 mm] sotto al foro di riempimento. Vedere la Fig. 7.

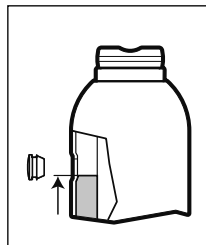


Fig. 6 - Livello dell'olio, Tutti i modelli ad eccezione del GBJ-100

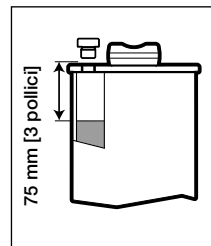


Fig. 7 - Livello dell'olio, Solo per il modello GBJ-100



ATTENZIONE: NON RIEMPIRE TROPPO! Con il pistone completamente rientrato ed il martinetto in posizione verticale, il livello dell'olio non dovrebbe essere più alto di quello mostrato in Fig. 6 oppure in Fig. 7 (a seconda del vostro modello di martinetto).

5. Reinstallare il tappo di riempimento dell'olio/scarico dell'aria.
6. Spurgare come descritto nella Sezione 6.2.

6.2 Spurgo dell'aria

La seguente procedura dovrebbe essere attuata dopo l'aggiunta dell'olio e quando si nota un funzionamento "elastico" durante il lavoro del martinetto.

Per spurgare l'aria del martinetto:

1. Usando l'estremità rettangolare della manopola della pompa, girare lo stelo della valvola di scarico in senso antiorario per aprire la valvola (non effettuare più di due giri).
2. Inserire la manopola della pompa dentro al suo attacco. Azionare la manopola per 6 - 8 corse.
3. Usando l'estremità rettangolare della manopola della pompa, girare lo stelo della valvola di scarico in senso orario fino a che la valvola sia completamente chiusa.
4. Inserire la manopola della pompa dentro al suo attacco. Azionare la manopola fino a che il pistone sia completamente esteso.
5. Azionare la manopola della pompa per 5 o 6 corse addizionali.
6. Usando l'estremità rettangolare della manopola della pompa, girare lo stelo della valvola di scarico in senso anti-orario per aprire la valvola (non girare per più di due giri).
7. Spingere completamente il pistone verso il basso fino a che sia completamente rientrato.
8. Usando l'estremità rettangolare della manopola della pompa, girare lo stelo della valvola di scarico in senso orario fino a che la valvola non sia completamente chiusa. **Non stringere troppo!**
9. Tutti i modelli ad eccezione del GBJ-100: Usando le dita, spingere il tappo di gomma di riempimento dell'olio/scarico dell'aria di lato per rilasciare l'aria eventualmente intrappolata.
10. Solo per il Modello GBJ-100: Allentare il tappo di riempimento dell'olio di 1 o 2 giri per rilasciare l'aria eventualmente intrappolata. Stringere il tappo dopo che l'aria è stata scaricata.

6.3 Ispezione

Ispezionare visivamente il martinetto prima di ogni utilizzo. Togliere il martinetto dal servizio ed effettuare i necessari passi correttivi se si nota uno dei seguenti problemi:

- a. Involucro fessurato o danneggiato.
- b. Usura eccessiva, piegamento o altro danno.
- c. Perdita di fluido idraulico.
- d. Stelo del pistone rigato o danneggiato (pistone).
- e. La vite di estensione non funziona correttamente.
- f. Apparecchiatura allentata.
- g. Equipaggiamento modificato o alterato.



AVVISO: Se il martinetto è in qualsiasi maniera danneggiato e/o mostra segni di malfunzionamento, deve essere tolto immediatamente dal servizio. Questo martinetto deve restare fuori servizio fino a che sia stato ispezionato e riparato da un Centro di Servizio Autorizzato dell'Enerpac o da altro servizio qualificato.

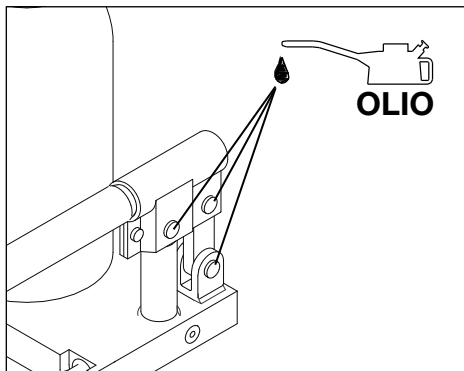


Fig. 8 - Manutenzione Periodica

6.4 Manutenzione Periodica

Lubrificare accuratamente tutti i perni di incameramento con olio lubrificante prima di usare il martinetto e dopo ogni 10 cicli di andirivieni del pistone. Vedere la Fig. 8.

Controllare periodicamente il pistone per vedere se mostra segni di corrosione. Pulire dove necessario e sfregare con un panno saturo di olio.

7.0 IMMAGAZZINAMENTO

Prima di immagazzinare il martinetto:

- Spingere il pistone completamente verso il basso. In modo tale che sia completamente ritratto e protetto da danni e corrosione.
- Accertarsi che la vite di estensione (se montata) sia completamente avvitata per proteggere i filetti dai danni.
- Sfregare via qualsiasi sporco od olio.
- Accertarsi che la valvola di scarico sia completamente chiusa.

Immagazzinare sempre il martinetto in posizione verticale, in una posizione protetta dove non sarà esposto a vapori corrosivi, polvere abrasiva o altri elementi nocivi.

8.0 TRASPORTO E POSIZIONAMENTO DEL MARTINETTO

Modelli da GBJ-002 fino a GBJ-050: Questi modelli possono essere trasportati e posizionati a mano, senza l'uso di un'apparecchiatura ausiliaria di sollevamento. Per una maggiore sicurezza sui modelli GBJ-020, GBJ-020S, GBJ-030 e GBJ-050 è fornita una maniglia di sollevamento.

Modello GBJ-100: Questo modello deve essere trasportato e posizionato usando un apparecchio di sollevamento di capacità adeguata. Attaccare il gancio dell'apparecchio di sollevamento alla maniglia di sollevamento del martinetto.

Nota: I Modelli da GBJ-020 fino a GBJ-100: Fare riferimento alla Fig. 2 per la posizione della maniglia di sollevamento del martinetto (voce #11).

9.0 MANOMETRO LETTURA PRESSIONE INSTALLAZIONE (SOLO PER GBJ-100)

Solo sul Modello GBJ-100 si usa un manometro per la lettura della pressione. Il manometro é spedito non montato e deve essere installato sul martinetto prima del funzionamento. Vedere la Fig. 9.

Installare il manometro come descritto nei passi seguenti:

1. Accertarsi che il pistone sia completamente represso e che sulla sella non sia posizionato alcun carico.
2. Usando una chiave fissa da 17 mm, rimuovere il tappo di spedizione (A) dal raccordo per il manometro.
3. Accertarsi che l'O-Ring (B) sia in sede sul fondo del raccordo filettato.
4. Posizionare il manometro (C) sul raccordo col disco di lettura verso l'esterno, ossia verso l'utente.
5. Mentre si trattiene fermamente l'involucro del manometro in modo tale che non si muova, avvitare il raccordo girevole del manometro sul raccordo fisso. Stringere il raccordo a mano usando una chiave fissa da 22 mm.

IMPORTANTE: Per impedire il danneggiamento dell'O-Ring, non usare un'estensione della chiave quando si installa il manometro.

10.0 ELIMINAZIONE DEI DIFETTI

Fare riferimento alla tabella dell'eliminazione dei difetti per una lista di comuni sintomi dei martinetti a bottiglia, possibili cause e soluzioni.

Per il servizio di riparazione, contattare un Centro di Servizio Autorizzato Enerpac. Le ispezioni e le riparazioni debbono essere effettuate solo da un Centro di Servizio Autorizzato Enerpac o da altro servizio idraulico qualificato.

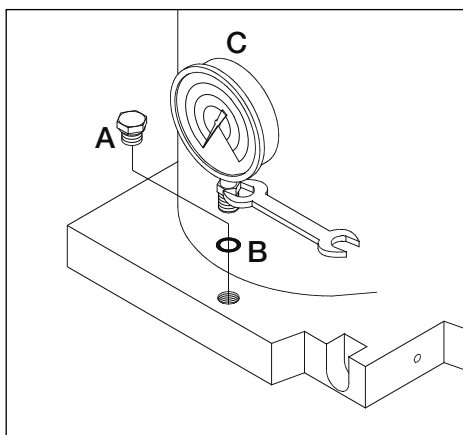


Fig. 9 - Installazione del manometro (solo per il GBJ-100)

ABELLA PER L'ELIMINAZIONE DEI DIFETTI		
SINTOMO	POSSIBILE CAUSA	SOLUZIONE
1. Funzionamento erratico.	Aria nel sistema.	Spurgare l'aria dall'unità. Fare riferimento alla Sezione 6.2 per le istruzioni di spurgo dell'aria.
	Viscosità dell'olio troppo alta.	Scaricare tutto l'olio vecchio dal serbatoio. Riempire fino al livello corretto con olio idraulico Enerpac Type HF (ISO Grado 32). Fare riferimento alla Sezione 6.1. IMPORTANTE: Eliminare l'olio usato in accordo con le leggi ed i regolamenti applicabili.
	Pistone incollato o piegato.	Rimuovere qualsiasi deposito di sporco o gommoso dal martinetto. Accertarsi che il martinetto non sia disallineato sotto il carico.
	Usura della guarnizione di tenuta e/o danno interno.	Fare ispezionare e riparare il martinetto da un Centro di Servizio Autorizzato Enerpac.
2. Il pistone non fa l'avanzamento.	Valvola di scarico aperta.	Chiudere la valvola di scarico.
	Basso livello dell'olio.	Riempire il serbatoio dell'olio al giusto livello con olio idraulico Enerpac Tipo HF (ISO Grado 32). Fare riferimento alla Sezione 6.1.
	Il circuito idraulico del martinetto é bloccato dall'aria.	Spurgare l'aria dall'unità. Fare riferimento alla Sezione 6.2 per le istruzioni di spurgo dell'aria.
	Il carico é maggiore della capacità del martinetto.	Usare un martinetto di maggiore capacità colla portata del carico adeguata.
3. Il pistone fa l'avanzamento solo in parte.	Basso livello dell'olio.	Riempire il serbatoio dell'olio al giusto livello con olio idraulico Enerpac Tipo HF (ISO Grado 32). Fare riferimento alla Sezione 6.1.
	Il pistone si inclina.	Rimuovere qualsiasi deposito di sporco o gommoso dal martinetto. Accertarsi che il martinetto non sia disallineato sotto il carico.
4. Il pistone avanza lentamente.	Assieme pompa usurato o danneggiato.	Fare ispezionare e riparare il martinetto da un Centro di Servizio Autorizzato Enerpac.
	Usura della guarnizione di tenuta e/o danno interno.	Fare ispezionare e riparare il martinetto da un Centro di Servizio Autorizzato Enerpac.
5. Il pistone avanza, ma non mantiene la pressione.	Controllare se la valvola non sta funzionando.	Fare ispezionare e riparare il martinetto da un Centro di Servizio Autorizzato Enerpac.
6. Perdita visibile di olio dall'involucro e/o dai componenti del martinetto.	Usura della guarnizione di tenuta e/o danno interno.	Fare ispezionare e riparare il martinetto da un Centro di Servizio Autorizzato Enerpac. Nota: Un piccolo residuo di olio sulla superficie del pistone é normale durante il funzionamento di routine del martinetto.
7. Il pistone non rientra o rientra lentamente.	La valvola di scarico é chiusa.	Aprire la valvola di scarico.
	Serbatoio troppo pieno.	Scaricare olio per correggere il livello. Fare riferimento alla Sezione 6.1.
	Danno interno.	Fare ispezionare e riparare il martinetto da un Centro di Servizio Autorizzato Enerpac.

L4000 Rev. C 04/13

1.0 DESCRIPCIÓN

Los gatos hidráulicos de botella de la serie GBJ de Enerpac están diseñados para elevar cargas. Estos productos cumplen con las especificaciones del Instituto Nacional Americano de Normalización ANSI/ASME PALD 2009 y ASME B30.1-2009.



Lea las instrucciones y la información de seguridad atentamente antes de intentar

montar, operar o realizar mantenimiento del gato hidráulico. Si no cumple con estas instrucciones, podrían producirse lesiones personales y/o daño a la propiedad. Guarde las instrucciones para futuras consultas.

Las hojas de despiece de este producto están disponibles en el sitio web de Enerpac en www.enerpac.com o en su centro de servicio técnico autorizado Enerpac u oficina de ventas Enerpac.

2.0 INFORMACIÓN DE SEGURIDAD DEL GATO HIDRÁULICO

2.1 Indicaciones de peligro

En este manual de instrucciones se utilizan las siguientes indicaciones de peligro:

PELIGRO: Indica peligro inminente al usuario. Si no cumple con las siguientes precauciones, podrían producirse lesiones personales graves o incluso la muerte.

ADVERTENCIA: Si no cumple con las siguientes precauciones, podrían producirse lesiones personales o incluso la muerte.

PRECAUCIÓN: Si no sigue las siguientes precauciones, podrían producirse lesiones personales y/o daños al gato.

Lea y comprenda todos los indicadores de peligro antes de operar el gato o hacer reparaciones.

2.2 Precauciones de seguridad generales del gato hidráulico



PELIGRO: Si no cumple las siguientes precauciones e instrucciones, podrían producirse daños personales graves o incluso una posible pérdida de carga y la muerte. También puede producirse daños a la propiedad y/o daños al gato.

Véase la Fig. 1.

① Lea y comprenda todas las instrucciones y precauciones de seguridad en este manual antes de usar el gato.

② El gato es un dispositivo exclusivamente para elevación. Apoye la carga inmediatamente después de

la elevación con palancas certificadas para ello o con bloqueos equivalentes. No utilice el gato para apoyar la carga en posición elevada una vez completada la elevación.

③ Utilice el gato sólo sobre una superficie sólida y nivelada, capaz de soportar la carga. Si lo utiliza en terreno inclinado o poco sólido, el gato podría inclinarse y el asiento resbalar, con lo que podrían producirse lesiones graves por caída de objetos.

④ No trabaje bajo una carga soportada mediante hidráulica. No coloque el brazo, pierna o cualquier otra parte del cuerpo bajo una carga que sólo esté soportada con el gato. Está estrictamente prohibido trabajar bajo vehículos y otros objetos pesados con el gato en posición elevada. Pueden producirse lesiones personales graves o incluso la muerte si el gato desciende inesperadamente o se resbala bajo la carga.

⑤ Asegúrese de que el punto de elevación es estable y que la carga está centrada en el asiento del gato.

⑥ La fuerza de la palanca de la bomba no debe exceder el máximo permitido para el modelo de gato en uso. Vea la tabla de la Sección 4.0.

⑦ Mantenga el gato alejado de llamas y de fuentes de calor. No suelde o modifique el gato.

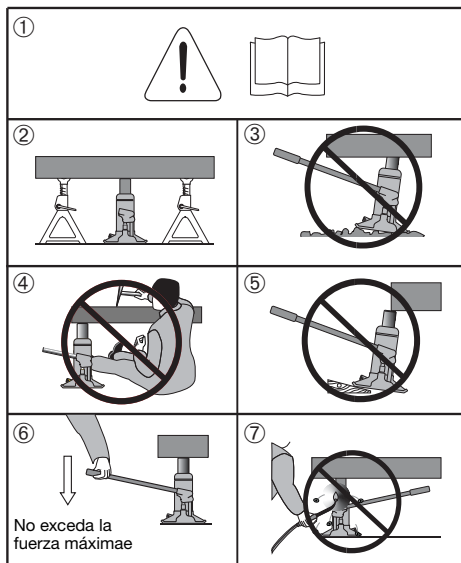


Fig. 1 - Precauciones de seguridad

2.3 Precauciones de seguridad adicionales del gato hidráulico

1. No cargue en exceso el gato. La carga no debe exceder la capacidad máxima certificada para el gato.
2. No eleve la carga más alto de lo necesario.
3. No coloque objetos bajo la carga antes de elevarla con el gato.
4. No aplique fuerza a un objeto que esté siendo elevado con el gato.
5. Retire la palanca de la bomba de la toma de la palanca del gato cuando no esté en uso. Utilice sólo la palanca de la bomba proporcionada con el gato o un repuesto exacto de las mismas especificaciones.
6. No retire el tapón de descarga de aire/llenado de aceite del gato bajo ningún concepto, a no ser que el gato esté bajado del todo.

7. No intente dar servicio, reparar o ajustar el gato mientras esté soportando una carga.
8. Utilice el gato sólo en temperatura ambiente, de -20 a +70 °C [-4 a 158 °F].
9. Permita sólo a especialistas de hidráulica formados y cualificados inspeccionar y reparar el gato. Utilice sólo repuestos originales Enerpac y aceite hidráulico de la serie HF de Enerpac.

3.0 INSTRUCCIONES PARA LA RECEPCIÓN

Inspeccione visualmente todos los componentes del sistema en busca de daños provocados por el transporte. La garantía no cubre los daños provocados por el transporte. Si percibe un daño provocado en el transporte, notifique el hecho a la compañía de transportes de inmediato. El transportista es responsable de todos los costes de reparación y sustitución provocados por daños provocados en el envío.

4.0 ESPECIFICACIONES


Modelo	◆ Capacidad toneladas [kN]	MCarrera máx mm [pulg.]	Carrera mín. mm [pulg.]	Altura máx. mm [pulg.]	Fuerza máx. de la palanca de la bomba kgf [lb]	Altura del tornillo ext. mm [pulg.]	Peso neto kg [lb]	Área de la base mm [pulg.]
GBJ-002	2 [19.6]	100 [3.94]	160 [6.30]	310 [12.20]	40 [88.2]	50 [1.97]	3,6 [7.9]	95 x 111 [3.74 x 4.37]
GBJ-002L	2 [19.6]	460 [18.11]	570 [22.44]	1030 [40.55]	40 [88.2]	*	9,6 [21.1]	127 x 127 [5.00 x 5.00]
GBJ-003	3 [29.4]	105 [4.13]	168 [6.61]	338 [13.31]	47 [103.6]	65 [2.56]	4,1 [9.0]	95 x 116 [3.74 x 4.57]
GBJ-005	5 [49]	150 [5.91]	212 [8.35]	437 [17.20]	50 [110.2]	75 [2.95]	5,0 [11.0]	95 x 123 [3.74 x 4.84]
GBJ-008	8 [78.4]	150 [5.91]	219 [8.62]	444 [17.48]	40 [88.2]	75 [2.95]	5,9 [13.0]	95 x 138 [3.74 x 5.43]
GBJ-010	10 [98]	150 [5.91]	219 [8.62]	444 [17.48]	40 [88.2]	75 [2.95]	6,5 [14.3]	95 x 142 [3.74 x 5.59]
GBJ-010S	10 [98]	62 [2.44]	131 [5.16]	223 [8.78]	40 [88.2]	30 [1.18]	5,5 [12.1]	95 x 142 [3.74 x 5.59]
GBJ-015	15 [147]	150 [5.91]	228 [8.98]	453 [17.83]	40 [88.2]	75 [2.95]	9,0 [19.8]	112 x 163 [4.41 x 6.42]
GBJ-020	20 [196]	150 [5.91]	234 [9.21]	459 [18.07]	40 [88.2]	75 [2.95]	12,1 [26.7]	127 x 171 [5.00 x 6.73]
GBJ-020S	20 [196]	105 [4.13]	190 [7.48]	350 [13.78]	40 [88.2]	55 [2.17]	10,0 [22.0]	127 x 171 [5.00 x 6.73]
GBJ-030	30 [294]	150 [5.91]	242 [9.53]	467 [18.39]	40 [88.2]	75 [2.95]	15,5 [34.2]	142 x 196 [5.59 x 7.72]
GBJ-050	50 [490]	150 [5.91]	252 [9.92]	402 [15.83]	40 [88.2]	*	28,5 [62.8]	180 x 230 [7.09 x 9.06]
GBJ-100	100 [980]	150 [5.91]	300 [11.81]	450 [17.72]	30 [66.1]	*	87,0 [191.8]	296 x 333 [11.65 x 13.11]

Notas:

◆ Las capacidades mostradas en toneladas son nominales y los valores en KN son reales.

* Modelo de gato no equipado con tornillo de extensión.

Las dimensiones mostradas son aproximadas. Todas las especificaciones de producto están sujetas a cambios sin previo aviso.

 Esta herramienta cumple con los requisitos de normativa con marcado CE.

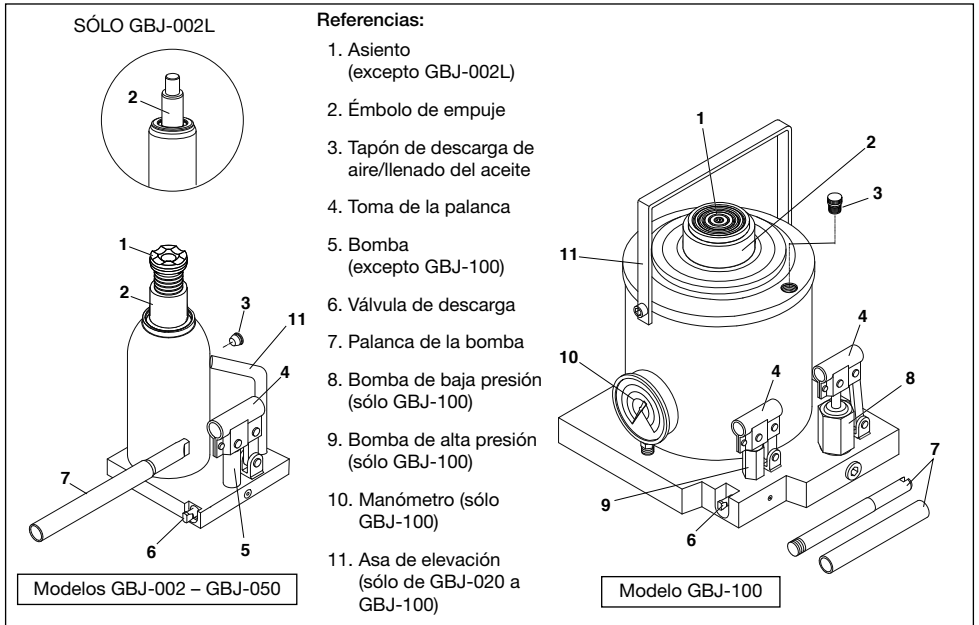


Fig. 2 - Características y componentes

5.0 FUNCIONAMIENTO

5.1 Antes de usar el gato

1. Inspeccione el estado del gato antes de usarlo. No utilice el gato si está dañado, si le faltan piezas o si tiene fugas de aceite. Consulte la Sección 6.3 para obtener una lista detallada de elementos que inspeccionar.
2. Lubrique el pasador de la bomba y los pivotes con aceite lubricante. Consulte la Sección 6.4 para saber los puntos de lubricación.
3. Retire el tapón de descarga de aire/llenado del aceite y compruebe el nivel de aceite. Consulte la sección 6.1 para obtener las especificaciones del aceite e información adicional.

4. Con el extremo rectangular de la palanca de la bomba, gire el vástago de la válvula de alivio en sentido antihorario para abrir la válvula (no gire más de dos vueltas). Véase la Fig. 3.

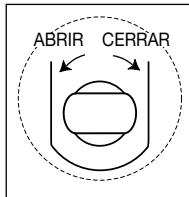


Fig. 3 -
Válvula de alivio

5. Inserte la palanca de la bomba en la toma de la palanca. Realice de 6 a 8 ciclos de carreras con la palanca. Esto ayudará a lubricar las piezas internas de la bomba antes de la elevación.

Nota: Si el émbolo de empuje sube erráticamente o se percibe una sensación esponjosa al bombear bajo carga, realice el procedimiento de purga de aire. Consulte la Sección 6.2.

5.2 Elevar la carga

1. Con el extremo rectangular de la palanca de la bomba, gire el vástago de la válvula de alivio hasta que la válvula esté completamente cerrada.



PRECAUCIÓN: Para evitar daños, no aplique una fuerza excesiva al cerrar la válvula de alivio.

2. Coloque el gato debajo de un punto de elevación apropiado. Consulte la sección 8.0 para obtener información sobre el transporte y posicionamiento del gato.
3. Inserte la palanca de la bomba en la toma de la palanca. La longitud y la cantidad de segmentos de la palanca variarán según el modelo del gato.

Nota: El modelo GBJ-100 cuenta con dos bombas. Para este modelo de gato, inserte la palanca de la bomba en la toma de la bomba de baja presión.

4. Opere la palanca de la bomba hasta que el asiento haga contacto sólido con la carga. En los modelos equipados con tornillo de extensión, ajuste la altura del tornillo según sea necesario. Asegúrese de que la carga está situada de forma perpendicular al centro del asiento del gato.



ADVERTENCIA: Durante la elevación, la carga inclinada no debe exceder de 6 grados. Véase la Fig. 4.

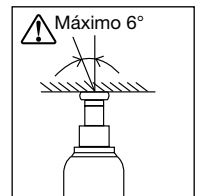


Fig. 4 -
Carga inclinada

- Continúe operando la palanca de la bomba según sea necesario para elevar la carga a la altura deseada.
- Sólo modelo GBJ-100: Después de elevar parcialmente la carga y aumentar perceptiblemente el esfuerzo de bombeo, mueva la palanca de la bomba a la bomba de alta presión. Continúe bombeando hasta que la carga suba a la altura deseada.



ADVERTENCIA: El modelo GBJ-100 está equipado con un manómetro calibrado para indicar el peso aproximado que se está elevando. DETenga el bombeo inmediatamente si la lectura excede de 100 toneladas métricas [980 kN]. El gato no está diseñado para elevar cargas superiores a 100 toneladas métricas (110 toneladas cortas).

- Inmediatamente después de completar la elevación, apoye la carga sobre gatos debidamente certificados para su peso.

5.3 Descender la carga

- Opere la palanca de la bomba con una o dos carreras para que la carga se eleve con los pies de gato. Retire los pies de gato de debajo de la carga.



ADVERTENCIA: Gire la válvula de alivio despacio en el siguiente paso. Si la válvula de alivio se abre demasiado rápido, el objeto que se está descendiendo podría caerse de repente, con lo que podría desequilibrar el gato de debajo de la carga. Puede provocar una lesión personal grave y/o daños a la propiedad.



PRECAUCIÓN: Evite las cargas de golpe producidas al abrir y cerrar rápidamente la válvula de carga conforme descendiendo la carga. Las cargas de golpe pueden sobrecargar el circuito hidráulico del gato y dañarlo.

- Con el extremo rectangular de la palanca de la bomba, gire despacio el vástago de la válvula de alivio en sentido antihorario hasta que se abra la válvula y el émbolo de empuje empiece a replegarse (no gire más de dos revoluciones). Permita que el émbolo de empuje continúe replegándose hasta que descienda la carga.
- Retire el gato de la zona de elevación.
- Presione sobre el émbolo de empuje para devolverlo a la posición totalmente replegada. Gire el tornillo de extensión (si se incluye) hasta abajo de forma que las roscas estén totalmente replegadas y protegidas de posibles daños.

5.4 Operación horizontal (excepto GBJ-100)

Cuando se opera en horizontal, el gato debe estar orientado de forma que la bomba esté posicionada abajo, lo más cerca posible del suelo. El gato no funcionará debidamente si la bomba está posicionada arriba. Véase la Fig. 5 para ver las posiciones de operación en horizontal.



ADVERTENCIA: Apoye el gato durante la operación horizontal para que no se caiga.



ADVERTENCIA: La capacidad del gato es un 50 por ciento o menos del límite normal cuando se opera en horizontal. Asegúrese de que el gato no se sobrecarga durante la operación en horizontal.



ADVERTENCIA: Utilice siempre bloques debidamente certificados y/o soportes para retener objetos que se han apartado y/o que están en tensión. No coloque las manos, los pies o el cuerpo entre objetos que esté elevando el gato en exclusiva.

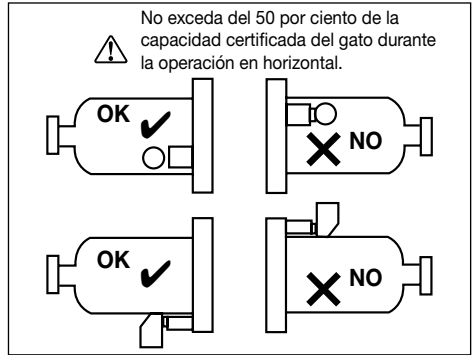


Fig. 5 - Operación en horizontal (excepto GBJ-100)

Nota: El modelo GBJ-100 no debe utilizarse en horizontal.

6.0 MANTENIMIENTO

6.1 Añadir aceite hidráulico

Si el nivel del aceite está bajo, añada aceite adicional tal y como se describe en los pasos siguientes. Asegúrese de que no entre suciedad durante el llenado.

- Con el émbolo de empuje totalmente replegado, coloque el gato en posición vertical. Asegúrese de que el gato está bien nivelado.
- Retire el tapón de descarga de aire/llenado del aceite. En todos los modelos de gato excepto el GBJ-100, el gato está situado en el lateral de la carcasa del cilindro. Exclusivamente en el modelo GBJ-100, el gato está situado en la parte superior de la carcasa del cilindro.

IMPORTANTE: Utilice sólo aceite hidráulico de serie HF de Enerpac (de calidad ISO 32) vertido desde un contenedor limpio.



ADVERTENCIA: La utilización de aceite motor, líquido de frenos, alcohol, glicerina, aceite vegetal o cualquier otro fluido no autorizado dañará el gato, con lo que puede provocarse un fallo o mal funcionamiento del dispositivo. Puede provocar una lesión personal y/o daños a la propiedad.

- Todos los modelos excepto GBJ-100: Llene el depósito hasta que el nivel de aceite llegue al borde inferior del orificio de llenado de aceite. Véase la Fig. 6.
- Sólo modelo GBJ-100: Llene el depósito hasta que el nivel de aceite llegue a 75 mm [3 pulgadas] por debajo del orificio de llenado. Véase la Fig. 7.

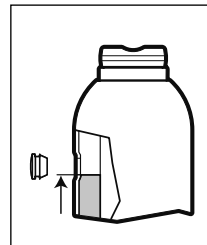


Fig. 6 - Nivel de aceite, excepto GBJ-100

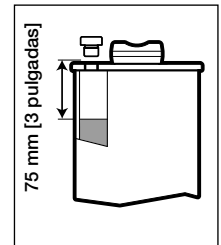


Fig. 7 - Nivel de aceite, sólo GBJ-100



PRECAUCIÓN: DNO LLENE EN EXCESO. Con el émbolo de empuje totalmente replegado y el gato en posición vertical, el nivel de aceite no debería ser mayor al mostrado en la Fig. 6 o Fig. 7 (según el modelo de gato).

5. Vuelva a instalar el tapón de descarga de aire/llenado del aceite.
6. Purgue el aire tal y como se describe en la sección 6.2.

6.2 Purgado del aire

El siguiente procedimiento debe realizarse después de añadir aceite y siempre que se perciba una sensación esponjosa durante la operación del gato.

Para purgar el aire del gato:

1. Con el extremo rectangular de la palanca de la bomba, gire el vástago de la válvula de alivio en sentido antihorario para abrir la válvula (no gire más de dos vueltas).
2. Inserte la palanca de la bomba en la toma de la palanca. Realice de 6 a 8 ciclos completos de carrera con la palanca.
3. Con el extremo rectangular de la palanca de la bomba, gire el vástago de la válvula de alivio hasta que la válvula esté completamente cerrada.
4. Inserte la palanca de la bomba en la toma de la palanca. Opere la palanca hasta que el émbolo de empuje esté totalmente extendido.
5. Opere la palanca de la bomba de 5 a 6 ciclos de carrera adicionales.
6. Con el extremo rectangular de la palanca de la bomba, gire el vástago de la válvula de alivio en sentido antihorario para abrir la válvula (no gire más de dos revoluciones).
7. Empuje el émbolo de empuje hacia abajo hasta que esté totalmente replegado.
8. Con el extremo rectangular de la palanca de la bomba, gire el vástago de la válvula de alivio hasta que la válvula esté completamente cerrada. No apretar en exceso.
9. Excepto GBJ-100: Empuje con los dedos el tapón de goma de descarga de aire/llenado de aceite a un lateral para liberar todo el aire atrapado.
10. Sólo GBJ-100: Afloje el tapón de descarga de aire/llenado del aceite de una a dos vueltas para liberar todo el aire atrapado. Apriete el tapón una vez liberado el aire.

6.3 Inspección

Inspeccione visualmente el gato antes de cada uso. Deje de usar el gato de inmediato y tome acciones correctivas si se encuentra alguno de los siguientes problemas:

- a. Carcasa dañada o con grietas.
- b. Exceso de desgaste o flexión u otro tipo de daño.
- c. Fuga de líquidos hidráulicos.
- d. Varilla del pistón marcada o dañada (émbolo de empuje).
- e. Mal funcionamiento del tornillo de extensión.
- f. Piezas sueltas.
- g. Equipamiento modificado o alterado.



ADVERTENCIA: Si el gato parece dañado de alguna forma y/o muestra signos de mal funcionamiento, debe dejar de usarlo de inmediato. El gato debe quedar fuera

de servicio hasta que haya sido inspeccionado y reparado por un centro de servicio técnico autorizado Enerpac u otro servicio hidráulico cualificado.

6.4 Mantenimiento periódico

Lubrique completamente todos los pivotes y pasadores con aceite lubricante antes de usar el gato cada 10 ciclos de subida/bajada del émbolo de empuje. Véase la Fig. 8.

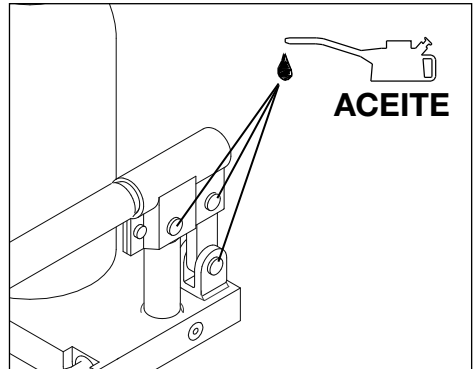


Fig. 8 - Lubrication

Compruebe periódicamente el émbolo de empuje por si hay signos de corrosión. Limpie con un paño empapado de aceite según sea necesario.

7.0 ALMACENAMIENTO

Antes de almacenar el gato:

- Empuje el émbolo de empuje completamente hasta el fondo, de forma que esté totalmente replegado y protegido de daños y corrosión.
- Asegúrese de que el tornillo de extensión (si se incluye) esté totalmente bajado para proteger las roscas ante posibles daños.
- Limpie el dispositivo hasta retirar suciedad o aceite.
- Asegúrese de que la válvula de alivio esté totalmente cerrada.

Almacene el gato en posición vertical y en un lugar protegido donde no esté dispuesto a vapores corrosivos, polvo abrasivo o cualquier otro elemento dañino.

8.0 TRANSPORTE Y POSICIONAMIENTO DEL GATO

- Modelos GBJ-002 a GBJ-050: Estos modelos pueden transportarse y colocarse a mano, sin ayuda de dispositivos auxiliares de elevación. Para mayor comodidad, se incluye un asa de elevación en los modelos GBJ-020, GBJ-020S, GBJ-030 y GBJ-050.
- Modelo GBJ-100: Este modelo debe transportarse y colocarse con un montacargas u otro dispositivo auxiliar de elevación de capacidad adecuada. Enganche el gancho del dispositivo de elevación al asa de elevación del gato.

Nota: Modelos GBJ-020 a GBJ-100: Consulte la Fig. 2 para encontrar el asa de elevación del gato (elemento núm. 11).

9.0 INSTALACIÓN DEL MANÓMETRO (SÓLO GBJ-100)

Sólo el modelo GBJ-100 utiliza un manómetro. El manómetro se envía por separado y debe instalarse antes de operar el gato. Véase la Fig. 9.

Instale el manómetro como se describe en los siguientes pasos:

1. Asegúrese de que el émbolo de empuje esté totalmente plegado y de que no haya carga en el asiento.
2. Utilice una llave de extremo abierto de 17 mm para retirar el tapón de transporte (A) del puerto del manómetro.
3. Asegúrese de que la junta tórica (B) esté asentada en la parte inferior del puerto roscado.
4. Coloque el manómetro (C) sobre el puerto con el dial hacia fuera, hacia el usuario.
5. Mientras sostiene con firmeza la carcasa del manómetro para que no se mueva, enrosque el adaptador de giro del manómetro en el puerto. Apriete el adaptador a mano con una llave de extremo abierto de 22 m.

IMPORTANTE: Para evitar daños a la junta tórica, no utilice una extensión de llave cuando instale el manómetro.

10.0 CIÓN DE PROBLEMAS

Consulte la tabla de solución de problemas para obtener una lista de los síntomas de problemas, posibles causas y soluciones típicamente relacionadas con el gato hidráulico de botella.

En cuanto al servicio de reparación, contacte con su centro de servicio técnico autorizado de Enerpac de su zona. La inspección y las reparaciones sólo debe llevarlas a cabo un centro de servicio técnico autorizado Enerpac u otro servicio hidráulico cualificado.

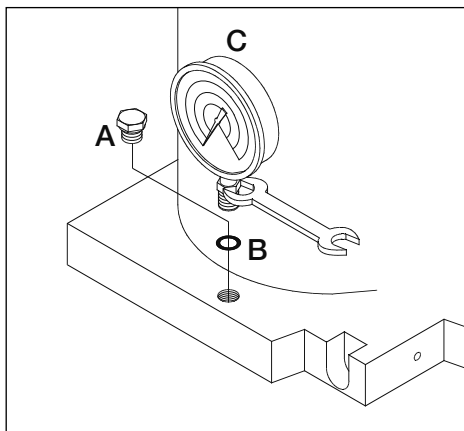


Fig. 9 - Instalación del manómetro (sólo GBJ-100)

TABLA DE SOLUCIÓN DE PROBLEMAS

SÍNTOMA	POSIBLE CAUSA	SOLUCIÓN
1. Funcionamiento errático.	Hay aire en el sistema hidráulico.	Descargue el aire de la unidad. Consulte la Sección 6.2 para ver las instrucciones de descarga de aire.
	Viscosidad de aceite hidráulico demasiado alta.	Drene todo el aceite antiguo del depósito. Rellene al nivel adecuado de aceite hidráulico HF de Enerpac (de calidad ISO 32). Consulte la Sección 6.1. IMPORTANTE: Retire todo el aceite usado de acuerdo con toda la legislación y normas aplicables.
	Émbolo de empuje pegado o atascado.	Elimine del gato los posibles depósitos pegajosos o de suciedad. Asegúrese de que el gato no está desalineado bajo la carga.
	Desgaste del sello y/o daño interno.	Solicite la inspección y reparación del gato a un centro de servicio técnico autorizado Enerpac.
2. El émbolo de empuje no avanza.	La válvula de alivio está abierta.	Cierre la válvula de descarga.
	Nivel de aceite bajo.	Rellene el depósito hasta el nivel adecuado con aceite hidráulico HF de Enerpac (de calidad ISO 32). Consulte la Sección 6.1.
	El circuito hidráulico del gato está sellado por aire.	Descargue el aire de la unidad. Consulte la Sección 6.2 para ver las instrucciones de descarga de aire.
	La carga es mayor que la capacidad del gato.	Utilice un gato de mayor capacidad con certificación de carga apropiada.
3. El émbolo de empuje sólo se extiende parcialmente.	Nivel de aceite bajo.	Rellene el depósito hasta el nivel adecuado con aceite hidráulico HF de Enerpac (de calidad ISO 32). Consulte la Sección 6.1.
	El émbolo de empuje está atascado.	Elimine del gato los posibles depósitos pegajosos o de suciedad. Asegúrese de que el gato no está desalineado bajo la carga.
4. El émbolo de empuje avanza lentamente.	Bomba desgastada o dañada.	Solicite la inspección y reparación del gato a un centro de servicio técnico autorizado Enerpac.
	Desgaste del sello y/o daño interno.	Solicite la inspección y reparación del gato a un centro de servicio técnico autorizado Enerpac.
5. El émbolo de empuje avanza, pero no soporta presión.	La válvula de comprobación no funciona.	Solicite la inspección y reparación del gato a un centro de servicio técnico autorizado Enerpac.
6. Fuga visible de aceite en la carcasa del gato y/o sus componentes.	Desgaste del sello y/o daño interno.	Solicite la inspección y reparación del gato a un centro de servicio técnico autorizado Enerpac. Nota: Es normal que quede una pequeña cantidad de residuo de aceite en la superficie del émbolo de empuje por la operación rutinaria del gato.
7. El émbolo de empuje no se repliega o lo hace lentamente.	La válvula de alivio está cerrada.	Abra la válvula de descarga.
	Depósito sobrellenado.	Drene el aceite hasta el nivel correcto. Consulte la Sección 6.1.
	Daño interno.	Solicite la inspección y reparación del gato a un centro de servicio técnico autorizado Enerpac.

L4000 Rev. C 04/13

1.0 BESCHRIJVING

Enerpac GBJ-serie hydraulische potkrikken zijn ontworpen voor het heffen van lasten. Deze producten voldoen aan de American National Standard specificaties ANSI/ASME PALD 2009 en ASME B30.1-2009.



Lees de instructies en veiligheidsinformatie voordat u probeert de potkrik te monteren, bedienen of onderhouden. Het niet naleven van de instructies kan leiden tot persoonlijk letsel en/of materiële schade. Bewaar de instructies voor verwijzing.

Reparatieonderdelen voor deze producten zijn verkrijgbaar op de Enerpac website www.enerpac.com, of bij uw dichtstbijzijnde erkende Enerpac Servicecentrum of Enerpac verkooppunt.

2.0 POTKRIK VEILIGHEIDSINFORMATIE

2.1 Gevarenaanduidingen

De volgende gevarenaanduidingen worden in deze handleiding gebruikt:

GEVAAR: Wijst op dreigend gevaar voor de gebruiker. Het niet naleven van de volgende voorzorgsmaatregelen kan leiden tot schade aan de apparatuur of persoonlijk letsel!

WAARSCHUWING: Het niet naleven van de volgende voorzorgsmaatregelen kan leiden tot persoonlijk letsel!

LET OP: Het niet naleven van de volgende voorzorgsmaatregelen kan leiden tot persoonlijk letsel en/of schade aan de krik!

LET OP: Het niet naleven van de volgende voorzorgsmaatregelen kan leiden tot persoonlijk letsel en/of schade aan de krik!

2.2 Algemene potkrik veiligheidsvoorschriften



GEVAAR: Het niet naleven van de volgende instructies en voorzorgsmaatregelen kan leiden tot ernstig persoonlijk letsel of de dood en mogelijk verlies van de lading! Materiële schade en/of schade aan de krik kunnen ook voorkomen.

Zie Figuur 1.

① Lees en begrijp alle instructies en veiligheidsvoorschriften in deze handleiding voordat u de krik gebruikt.

② De krik is een hefgereedschap. Ondersteun de last onmiddellijk na het heffen met de juiste nominale ondersteuning of gelijkwaardige blokkering. Gebruik de krik nooit om de last te ondersteunen in de verhoogde positie nadat het heffen is voltooid.

③ Gebruik de krik alleen op een stevige, vlakke ondergrond in staat om de last te ondersteunen. Bij gebruik op een helling of een zachte ondergrond, kan de krik kantelen, het zadel kan gaan glijden en ernstig letsel worden veroorzaakt door vallende voorwerpen.

④ Werk niet onder een last die wordt ondersteund door hydrauliek. Plaats nooit uw arm, been of lichaam onder een last die alleen door de krik wordt ondersteund. Werken onder voertuigen en andere zware voorwerpen met de krik in de verhoogde positie is ten strengste verboden. Ernstig lichamelijke letsel of de dood kan optreden als de krik onverwachts omlaag komt of onder de last wegschiet.

⑤ Zorg ervoor dat het hefpunt stabiel is en dat de last gecentreerd is op de krikzadel.

⑥ De pomphendelkracht mag niet hoger zijn dan maximaal is toegestaan voor het potkrikmodel dat wordt gebruikt. Zie de tabel in Sectie 4.0.

⑦ Houd de krik uit de buurt van vlammen en hitte. De krik niet lassen of wijzigen.

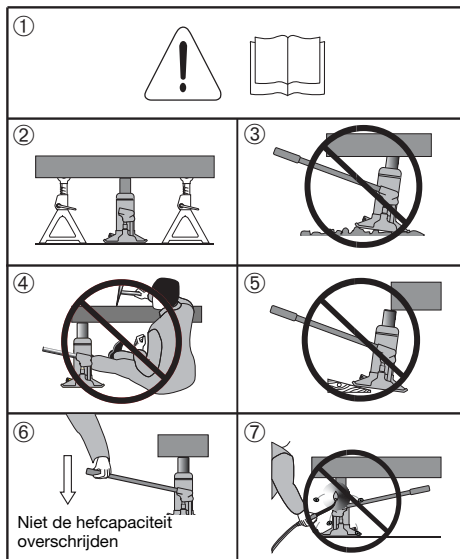


Fig. 1 - Veiligheidsvoorzorgsmaatregelen

2.3 Extra veiligheidsvoorschriften voor de potkrik

1. Overlaad de krik niet. De last mag de nominale capaciteit van de krik niet overschrijden.
2. Til de last niet hoger dan nodig.
3. Plaats geen voorwerpen onder de last die wordt opgetild door de krik.
4. Oefen geen druk uit op een voorwerp dat wordt opgetild door de krik.
5. Verwijder de pomphendel uit de hendelmof van de krik na gebruik is. Gebruik alleen de pomphendel geleverd met de krik of een exacte vervanging met dezelfde specificaties.
6. Verwijder de olievulling/ontluchtungsplug van de krik niet, om welke reden dan ook, tenzij de krik volledig is neergelaten.

7. Probeer nooit om de krik te onderhouden, repareren of aan te passen terwijl deze een last ondersteunt.
8. Gebruik de krik alleen in omgevingstemperaturen tussen -20 tot +70°C [-4 tot 158°F].
9. Laat alleen opgeleide en gekwalificeerde hydraulische specialisten de krik inspecteren en herstellen. Gebruik uitsluitend originele Enerpac onderdelen en Enerpac HF-serie hydraulische olie.

3.0 INSTRUCTIES BIJ ONTVANGST

Controleer visueel alle onderdelen op transportschade. Transportschade valt niet onder de garantie. Indien transportschade wordt gevonden, meld dit onmiddellijk aan de transporteur. De transporteur is verantwoordelijk voor alle reparatie- en vervangingskosten als gevolg van beschadiging tijdens de verzending.

4.0 SPECIFICATIES

Model	◆ Capaciteit in ton [kN]	Max. Slag mm [in]	Min. Hoogte mm [in]	Max. Hoogte mm [in]	Max Pomp-hendel kracht kg [lb]	Uitschroef flengte mm [in]	Gewicht kg [lb]	Grondvlak mm [in]
GBJ-002	2 [19.6]	100 [3.94]	160 [6.30]	310 [12.20]	40 [88.2]	50 [1.97]	3,6 [7.9]	95 x 111 [3.74 x 4.37]
GBJ-002L	2 [19.6]	460 [18.11]	570 [22.44]	1030 [40.55]	40 [88.2]	*	9,6 [21.1]	127 x 127 [5.00 x 5.00]
GBJ-003	3 [29.4]	105 [4.13]	168 [6.61]	338 [13.31]	47 [103.6]	65 [2.56]	4,1 [9.0]	95 x 116 [3.74 x 4.57]
GBJ-005	5 [49]	150 [5.91]	212 [8.35]	437 [17.20]	50 [110.2]	75 [2.95]	5,0 [11.0]	95 x 123 [3.74 x 4.84]
GBJ-008	8 [78.4]	150 [5.91]	219 [8.62]	444 [17.48]	40 [88.2]	75 [2.95]	5,9 [13.0]	95 x 138 [3.74 x 5.43]
GBJ-010	10 [98]	150 [5.91]	219 [8.62]	444 [17.48]	40 [88.2]	75 [2.95]	6,5 [14.3]	95 x 142 [3.74 x 5.59]
GBJ-010S	10 [98]	62 [2.44]	131 [5.16]	223 [8.78]	40 [88.2]	30 [1.18]	5,5 [12.1]	95 x 142 [3.74 x 5.59]
GBJ-015	15 [147]	150 [5.91]	228 [8.98]	453 [17.83]	40 [88.2]	75 [2.95]	9,0 [19.8]	112 x 163 [4.41 x 6.42]
GBJ-020	20 [196]	150 [5.91]	234 [9.21]	459 [18.07]	40 [88.2]	75 [2.95]	12,1 [26.7]	127 x 171 [5.00 x 6.73]
GBJ-020S	20 [196]	105 [4.13]	190 [7.48]	350 [13.78]	40 [88.2]	55 [2.17]	10,0 [22.0]	127 x 171 [5.00 x 6.73]
GBJ-030	30 [294]	150 [5.91]	242 [9.53]	467 [18.39]	40 [88.2]	75 [2.95]	15,5 [34.2]	142 x 196 [5.59 x 7.72]
GBJ-050	50 [490]	150 [5.91]	252 [9.92]	402 [15.83]	40 [88.2]	*	28,5 [62.8]	180 x 230 [7.09 x 9.06]
GBJ-100	100 [980]	150 [5.91]	300 [11.81]	450 [17.72]	30 [66.1]	*	87,0 [191.8]	296 x 333 [11.65 x 13.11]


Opmerkingen:

◆ Capaciteiten weergegeven in tonnen zijn nominaal, waarden in kN zijn de werkelijke waarden.

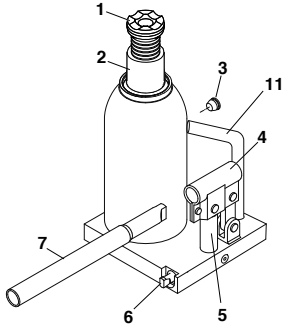
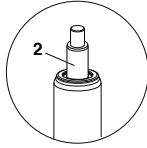
* Krikmodel niet uitgerust met een verlenschroef.

De getoonde afmetingen zijn bij benadering.

Alle productspecificaties kunnen worden gewijzigd zonder voorafgaande kennisgeving.

 Dit gereedschap voldoet aan de eisen voor CE-markering.

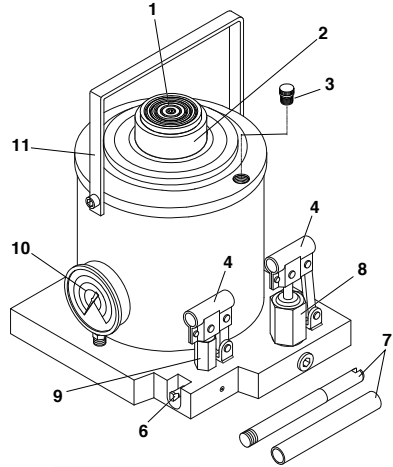
ALLEEN Model GBJ-002L



Modellen GBJ-002 - GBJ-050

Verklaring:

1. Zadel (met uitzondering van GBJ-002L)
2. Plunjer
3. Olivul/ontluchtungsplug
4. Hendelmof
5. Pomp (met uitzondering van GBJ-100)
6. Ontlastklep
7. Pomphendel
8. Lage druk pomp (GBJ-100 alleen)
9. Hoge druk pomp (GBJ-100 alleen)
10. Manometer (GBJ-100 alleen)
11. Draagbeugel (GBJ-020 tot GBJ-100 alleen)



Model GBJ-100

Fig. 2 - Functies en onderdelen

5.0 WERKING

5.1 Vóór gebruik van de krik

1. Controleer de toestand van de krik vóór gebruik. Gebruik de krik niet als deze beschadigd is, ontbrekende onderdelen heeft of als hij olie lekt. Raadpleeg Sectie 2. Smeer de pompkoppeling en scharnierpenen met smeerolie. Raadpleeg Sectie 6.4 voor smeerpunten.
3. Verwijder de oliedul/ontluchtungsplug en controleer het oliepeil. Raadpleeg Sectie 6.1 voor oliespecificaties en aanvullende informatie.
4. Met behulp van het rechthoekige uiteinde van de pomphendel, draai de ontlastklep linksom om de klep te openen (draai niet meer dan twee omwentelingen). Zie Figuur 3.

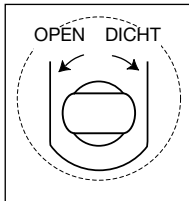


Fig. 3 - Ontlastklep

5. Plaats de pomphendel in de hendelmof. Gebruik de hendel 6 tot 8 slagen. Dit zal helpen om de interne onderdelen van de pomp te smeren voorafgaand aan het heffen.

Opmerking: Als de plunjer onregelmatig uitloopt of als een sponsachtig gevoel wordt opgemerkt tijdens het pompen onder belasting, voer dan de ontluchtungsprocedure uit. Raadpleeg Sectie 6.2.

5.2 Heffen van de last

1. Met behulp van rechthoekige uiteinde van de pomphendel, draai de ontlastklep rechtsom tot deze volledig is gesloten.



LET OP: Om schade te voorkomen, gebruik niet te veel kracht bij het dichtdraaien van de ontlastklep.

2. Plaats de krik onder het juiste hefpunt. Raadpleeg Sectie 8.0 voor transport- en plaatsingsinformatie van de krik.
3. Plaats de pomphendel in de hendelmof. Lengte van de hendel en aantal pomphendelbewegingen variëren, afhankelijk van het krikmodel.

Opmerking: Het model GBJ-100 heeft twee pompen. Voor dit krikmodel, plaats de pomphendel in de mof op de lage druk pomp.

4. Bedien de pomphendel totdat het zadel stevig contact maakt met de last. Bij modellen voorzien van een verlenschroef, pas de schroefhoogte aan indien nodig. Zorg ervoor dat de last loodrecht op het midden van de vijzelzadel staat.



WAARSCHUWING: Tijdens het tillen mag de schuine last de 6 graden niet overschrijden. Zie Figuur 4.

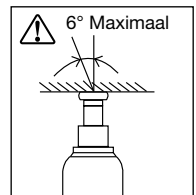


Fig. 4 - Schuine last

5. Ga door met het bedienen van de pomphendel zoals nodig is om de last te verhogen tot de gewenste hoogte.

6. Alleen model GBJ-100: Nadat de last gedeeltelijk is verhoogd en de kracht op de pomphendel aanzienlijk toeneemt, plaats de pomphendel op de hoge druk pomp. Pomp totdat de last de gewenste hoogte heeft bereikt.



WAARSCHUWING: Model GBJ-100 is uitgerust met een manometer gekalibreerd om het benaderde gewicht dat wordt opgetild weer te geven. STOP onmiddellijk met pompen als de manometer meer dan 100 ton [980 kN] aanduidt. De krik is niet ontworpen om lasten van meer dan 100 ton (110 short tons) op te heffen.

7. Onmiddellijk nadat het opheffen is voltooid, dient de last mechanisch met bokken met de juiste capaciteit te worden ondersteund.

5.3 De last laten zakken

1. Bedien de pomphendel een of twee slagen, zodat de last tot boven de bokken wordt opgeheven. Verwijder de bokken onder de last.



WAARSCHUWING: Draai de ontlastklep langzaam in de volgende stap. Als de ontlastklep te snel wordt geopend, kan de last snel zakken, waardoor de krik onder de last kan uitschieten. Dit kan ernstig persoonlijk letsel en/of materiële schade veroorzaken.



LET OP: Vermijd "stoot- of schokbelastingen" die door te snel openen en sluiten van de ontlastklep worden veroorzaakt zodra de last wordt neergelaten. Schokbelastingen kunnen het hydraulische circuit van de krik overbelasten en de krik beschadigen.

2. Met behulp van het rechthoekige uiteinde van de pomphendel, draai de ontlastklep langzaam linksom tot de klep opent en de plunjer terugloopt (draai niet meer dan twee omwentelingen). Laat de plunjer verder teruglopen tot de last volledig is neergelaten.

3. Verwijder de krik uit het hefgebied.

4. Duw op de plunjer om hem terug te doen keren naar de volledig teruggetrokken positie. Draai de verlengschroef (indien aanwezig) helemaal naar beneden, zodat de schroefdraden volledig zijn verzonken en beschermd tegen beschadiging.

5.4 Horizontale werking (alle modellen met uitzondering van GBJ-100)

Bij horizontaal gebruik moet de krik zodanig worden gepositioneerd dat de pomp onderaan ligt - dichtst bij de grond. De krik werkt niet goed als de pomp omhoog is geplaatst. Zie Figuur 5 voor de horizontale werkstanden.



WAARSCHUWING: Ondersteun de krik tijdens de horizontale werking, zodat hij niet valt.



WAARSCHUWING: De hefcapaciteit van de krik is 50 procent of minder dan de normale nominale waarde bij toepassing in horizontale positie. Wees voorzichtig en zorg ervoor de krik niet te overbelasten bij de horizontale werking.



WAARSCHUWING: Gebruik altijd de correcte blokkering en/of steunen om voorwerpen vast te houden die uit elkaar werden gedrukt en/of onder spanning staan.

Plaats nooit uw handen, voeten of lichaam tussen voorwerpen die alleen ondersteund worden door de krik.

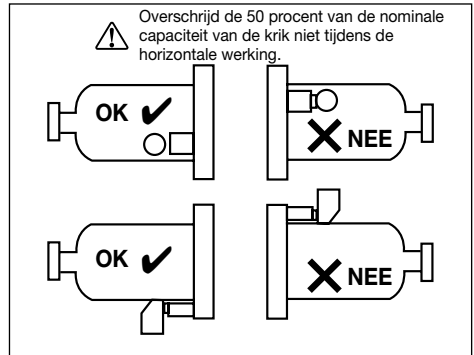


Fig. 5 - Horizontale werking (m.u.v. GBJ-100)

Opmerking: Model GBJ-100 mag niet worden gebruikt in de horizontale stand.

6.0 ONDERHOUD

6.1 Bijvullen van hydraulische olie

Als het oliepeil laag is, voeg extra olie toe zoals beschreven in de volgende stappen. Wees voorzichtig om te vermijden dat vuil binnenkomt tijdens het vullen.

1. Met de plunjer volledig ingetrokken, plaats de krik in de verticale stand. Zorg ervoor dat het oppervlak onder de krik vlak is.

2. Verwijder de olievl/ontluchtingsplug. Op alle krikken, behalve het model GBJ-100 bevindt de plug zich aan de zijkant van de cilinderbehuizing. Alleen op het model GBJ-100 bevindt de plug zich boven op de cilinderbehuizing.

BELANGRIJK: Gebruik alleen Enerpac HF-serie hydraulische olie (ISO graad 32) afkomstig uit een schone container.



WAARSCHUWING: Het gebruik van motorolie, remvloeistof, alcohol, glycerine, plantaardige olie of andere niet-goedgekeurde vloeistoffen zal de krik beschadigen, wat resulteert in een mogelijke storing of defect van het apparaat. Persoonlijk letsel en/of materiële schade kunnen optreden.

3. Alle modellen behalve GBJ-100: vullen tot het oliepeil ongeveer gelijk staat met de onderkant van de olievlopening. Zie Figuur 6.



Fig. 6 - Oliepeil, alle modellen (m.u.v. GBJ-100)

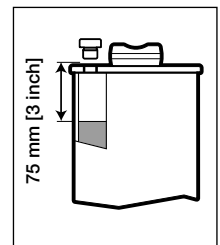


Fig. 7 - Oliepeil, Uitsluitend GBJ-100

4. Uitsluitend GBJ-100: Vul totdat het oliepeil ongeveer 75 mm [3 duim] onder de olievlopening staat. Zie Figuur 7.



LET OP: NIET OVERVULLEN! Met de plunjer volledig ingetrokken en de krik in verticale stand, mag het oliepeil niet hoger zijn dan zoals getoond in Fig. 6 of in Fig. 7 (voor zover van toepassing voor uw krikmodel).

5. Installeer de olievl/ontluchtingsplug opnieuw.
6. Ontlucht zoals beschreven in Sectie 6.2.

6.2 Ontluchten

e volgende procedure moet worden uitgevoerd na het olie bijvullen en als er een "sponzig" gevoel wordt opgemerkt tijdens de werking van de krik.

Voor het ontluchten van de krik:

1. Met behulp van het rechthoekige uiteinde van de pomphendel, draai de ontlastklep linksom om de klep te openen (draai niet meer dan twee omwentelingen).
2. Plaats de pomphendel in de hendelmof. Gebruik de hendel 6 tot 8 slagen.
3. Met behulp van het rechthoekige uiteinde van de pomphendel, draai de ontlastklep rechtsom tot de klep volledig is gesloten.
4. laats de pomphendel in de hendelmof. Bedien de hendel tot de plunjer volledig is uitgestuurd (maximale slag).
5. Bedien de krik door 5 tot 6 extra pomphendelslagen.
6. Met behulp van het rechthoekige uiteinde van de pomphendel, draai de ontlastklep linksom om de klep te openen (draai niet meer dan twee omwentelingen).
7. Duw de plunjer helemaal naar beneden totdat deze volledig is ingetrokken.
8. Met behulp van het rechthoekige uiteinde van de pomphendel, draai de ontlastklep rechtsom tot de klep volledig is gesloten. Niet te vast draaien!
9. Alle modellen, met uitzondering van GBJ-100: Duw de rubberen olievl/ontluchtingsplug met de vingers opzij om eventuele opgesloten lucht te laten ontsnappen.
10. Uitsluitend bij GBJ-100: Draai de olievl/ontluchtingsplug los met 1 tot 2 omwentelingen om eventuele opgesloten lucht te laten ontsnappen. Draai de plug vast na het ontsnappen van de lucht.

6.3 Inspectie

Inspecteer visueel de krik vóór elk gebruik. Stel de krik buiten gebruik en neem corrigerende maatregelen als één van de volgende problemen wordt waargenomen:

- a. Gebarsten of beschadigde behuizing.
- b. Overmatige slijtage, verborgen onderdelen of andere schade.
- c. Lekkende hydraulische vloeistof.
- d. Gekerfde of beschadigd zuigerstang (plunjer).
- e. Onjuiste werking van de verlenschroef.
- f. Losse onderdelen.
- g. Gewijzigde of aangepaste apparatuur.



WAARSCHUWING: Als de krik beschadigd is of op enige wijze beschadigd lijkt en/of tekenen van slecht functioneren vertoont, moet hij onmiddellijk buiten

gebruik worden gesteld. De krik moet buiten bedrijf blijven tot hij is geïnspecteerd en gerepareerd door een erkend Enerpac servicecentrum of een andere gekwalificeerd hydraulisch servicepunt.

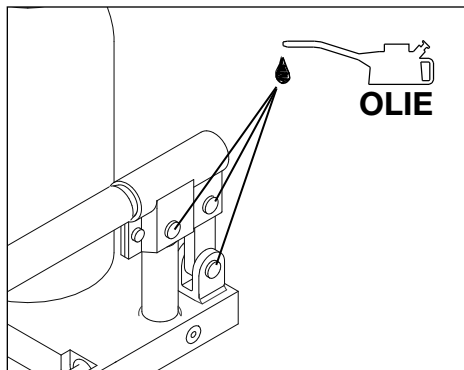


Fig. 8 - Smering

6.4 Periodiek onderhoud

Smeer grondig alle scharnierpennen en koppelingen met smeerolie voordat de krik wordt gebruikt en na elke 10 in- en uitgaande plungerslagen. Zie Figuur 8.

Controleer de plunjer regelmatig op tekenen van corrosie. Reinig indien nodig en maak schoon met een olie-verzadigde doek.

7.0 OPSLAG

Vóór het opslaan van de krik:

- Duw de plunjer helemaal naar beneden, zodat hij volledig is teruggetrokken en beschermd tegen beschadiging en corrosie.
- Draai de verlenschroef (indien aanwezig) helemaal naar beneden, zodat de schroefdraden volledig zijn verzonken en beschermd tegen beschadiging.
- Veeg alle vuil of olie af.
- Zorg ervoor dat de ontlastklep volledig gesloten is.

Bewaar de krik altijd in de verticale stand, op een veilige plaats waar hij niet wordt blootgesteld aan corrosieve dampen, schurend stof of andere schadelijke elementen.

8.0 TRANSPORT EN PLAATSIJNG VAN DE KRIK

- Modellen GBJ-002 tot GBJ-050: Deze modellen kunnen met de hand worden vervoerd en geplaatst, zonder gebruik van een hulp-hefapparaat. Voor extra gemak is er een draagbeugel gemonteerd op de modellen GBJ-020, GBJ-020S, GBJ-030 en GBJ-050.
- Model GBJ-100: Dit model moet worden vervoerd en geplaatst met behulp van een takel of een andere hulp-hefinrichting van de juiste capaciteit. Bevestig de draagbeugel van het hefapparaat op de hefhendel van de krik.

OPMERKING: Modellen GBJ-020 tot GBJ-100: Zie Fig. 2 voor de locatie van de hefhendel op de krik (item #11).

9.0 MONTAGE VAN DE MANOMETER (GBJ-100 ALLEEN)

De manometer wordt alleen gebruikt op Model GBJ-100. De manometer wordt los meegeleverd en dient vooraf te worden gemonteerd voordat de krik wordt gebruikt. Zie Figuur 9.

Plaats de manometer zoals beschreven in de volgende stappen.

1. Wees er zeker van dat de plunjer volledig teruggetrokken is en dat er geen last is geplaatst op het zadel.
2. Met behulp van een 17 mm steeksleutel, verwijder de transportplug (A) van de meetpoort.
3. Controleer of de O-ring (B) aan de onderzijde zit van de schroefdraadpoort.
4. Plaats de manometer (C) over de poort met de wijzerplaat naar buiten gericht, in de richting van de gebruiker.
5. Terwijl de manometerbehuizing stevig wordt vastgehouden, zodat ze niet beweegt, draait u de draaikoppeling in de poort. Draai de fitting vast met de hand met een 22 mm steeksleutel.

BELANGRIJK: Om schade te voorkomen aan de O-ring, gebruik geen sleutelverlenging bij het vastdraaien van de manometer.

10.0 PROBLEEMOPLOSSING

Raadpleeg de tabel Problemen oplossen voor een lijst

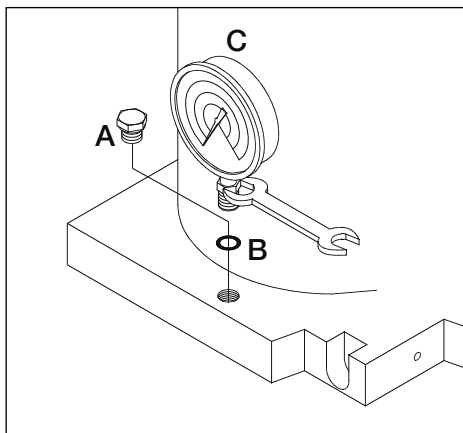


Fig. 9 - Montage van de manometer (Uitsluitend op de GBJ-100)

van algemene potkriksymptomen, mogelijke oorzaken en oplossingen.

Voor reparatieonderhoud neemt u contact op met uw plaatselijk erkend Enerpac servicecentrum. Inspectie en reparatie mogen alleen worden uitgevoerd door een Enerpac erkend servicecentrum of een andere gekwalificeerd hydraulisch servicepunt.

PROBLEEMOPLOSSINGSTABEL		
STORING	MOGELIJKE OORZAAK	OPLOSSING
1. Onregelmatige werking	Lucht in het systeem.	Ontlucht het apparaat. Raadpleeg Sectie 6.2 voor instructies over het ontluchten.
	Viscositeit van de hydraulische olie te hoog.	Tap alle oude olie uit het reservoir. Vul tot het juiste peil met Enerpac type HF hydraulische olie (ISO graad 32). Zie Sectie 6.1. BELANGRIJK: Gooi de gebruikte olie weg in overeenstemming met alle van toepassing zijnde wet- en regelgeving.
	Plunjer loopt stroef of zit vast.	Verwijder eventueel aanwezig vuil of kleverige aanslag van de krik. Zorg ervoor dat de krik niet slecht is uitgelijnd onder de last.
	Afdichting versleten en/of inwendige schade.	Laat de krik nazien en herstellen door een erkend Enerpac servicecentrum.
2. Plunjer loopt niet uit.	De ontlastklep staat open.	Sluit de ontlastklep.
	Laag oliepeil.	Vul het reservoir tot het juiste peil met Enerpac type HF hydraulische olie (ISO graad 32). Zie Sectie 6.1.
	Lucht in hydraulisch systeem.	Ontlucht het apparaat. Raadpleeg Sectie 6.2 voor instructies over het ontluchten.
	De last is groter dan de capaciteit van de krik.	Gebruik een krik van een hogere capaciteit of de juiste nominale belasting.

PROBLEEMOPLOSSINGSTABEL (vervolg)		
SYMPTOOM	MOGELIJKE OORZAAK	OPLOSSING
3. Plunjer loopt slechts gedeeltelijk uit.	Laag oliepe.	Vul het reservoir tot het juiste peil met Enerpac type HF hydraulische olie (ISO graad 32). Zie Sectie 6.1.
	Plunjer loopt stroef of zit vast.	Verwijder eventueel aanwezig vuil of kleverige aanslag van de krik. Zorg ervoor dat de krik op de juiste wijze is uitgelijnd onder de last.
4. Plunjer loopt langzaam uit.	Pompgedeelte beschadigd of versleten.	Laat de krik nazien en herstellen door een erkend Enerpac servicecentrum.
	Afdichting versleten en/of inwendige schade.	Laat de krik nazien en herstellen door een erkend Enerpac servicecentrum.
5. Plunjer loopt uit, maar krik houdt de druk niet vast.	Terugslagklep werkt niet.	Laat de krik nazien en herstellen door een erkend Enerpac servicecentrum.
6. Zichtbare oliekkage op krikbehuizing en/of onderdelen.	Afdichting versleten en/of inwendige schade.	Laat de krik nazien en herstellen door een erkend Enerpac servicecentrum. Opmerking: Een kleine hoeveelheid olieresten op het oplunjeroppervlak is normaal gedurende routinewerk van de krik.
7. Plunjer loopt niet of slechts gedeeltelijk terug.	Ontlastklep is gesloten.	Open de ontlastklep.
	Teveel olie in het reservoir.	Tap olie af tot het juiste peil. Raadpleeg Sectie 6.1.
	Interne schade.	Laat de krik nazien en herstellen door een erkend Enerpac servicecentrum.

L4000 Rev. C 04/13

1.0 DESCRIÇÃO

Macacos hidráulicos tipo garrafa Enerpac da Série GBJ são projetados para levantamento de carga. Estes produtos estão de acordo com as especificações "American National Standard" ANSI/ASME PALD 2009 e ASME B30.1-2009.



Leia as instruções e informações sobre segurança antes de tentar montar, acionar ou fazer a manutenção do macaco tipo garrafa. O descumprimento das instruções pode resultar em lesões pessoais e/ou danos materiais. Guarde as instruções para referência futura.

Folhas de Reparo de Peças para este produto estão disponíveis no site da Enerpac - www.enerpac.com, ou com o seu Centro Autorizado de Serviços Enerpac mais próximo ou com o escritório de vendas Enerpac.

2.0 INFORMAÇÃO DE SEGURANÇA SOBRE O MACACO TIPO GARRAFA

2.1 Advertências sobre Perigo

As seguintes advertências sobre perigo são usadas neste manual de instruções:

PERIGO: Indica risco iminente para o usuário. A não observação das precauções pode resultar em lesões pessoais ou morte.

AVISO: a não observação das precauções pode resultar em lesões pessoais ou morte.

CUIDADOS: a não observação dos cuidados pode resultar em lesões pessoais e/ou danos ao macaco.

Sempre leia e compreenda todas as advertências sobre perigo antes de acionar o macaco ou fazer conserto.

2.2 Generalidades sobre Cuidados com Segurança para o Macaco tipo Garrafa



PERIGO: Falha em observar as instruções e cuidados descritos a seguir pode resultar em sérias lesões pessoais ou morte, além da possível perda de carga. Prejuízos à propriedade e/ou danos ao macaco também podem ocorrer.

Ver Fig. 1.

① Leia todas as instruções e cuidados com segurança deste manual antes de usar o macaco.

② O macaco é somente um dispositivo de levantamento. Apoie imediatamente a carga depois do levantamento com suportes devidamente classificados

ou bloqueios equivalentes. Nunca use o macaco para apoiar a carga em posição elevada depois que o levantamento for completado.

③ Use o macaco somente em uma superfície sólida e nivelada, capaz de sustentar a carga. Caso usado em terreno macio ou inclinado, o macaco tende a cair, o assento pode escorregar e a queda de objetos pode causar danos sérios.

④ Não trabalhe sob com uma carga apoiada por hidráulicos. Nunca coloque seus braços, pernas ou corpo debaixo de uma carga que está apoiada somente pelo macaco. Trabalhar embaixo de veículos ou outros objetos pesados com o macaco em posição elevada é terminantemente proibido. Sérias lesões pessoais ou morte podem ocorrer, caso o macaco abaixe inesperadamente ou escorregue de sob a carga.

⑤ Certifique-se de que o ponto de levantamento é estável e que a carga está centrada no assento do macaco.

⑥ A força da alavanca da bomba não deve exceder o máximo permitido para o modelo do macaco em uso. Ver tabela na Seção 4.0.

⑦ Mantenha o macaco distante de chamas e calor. Não solde ou modifique o macaco.

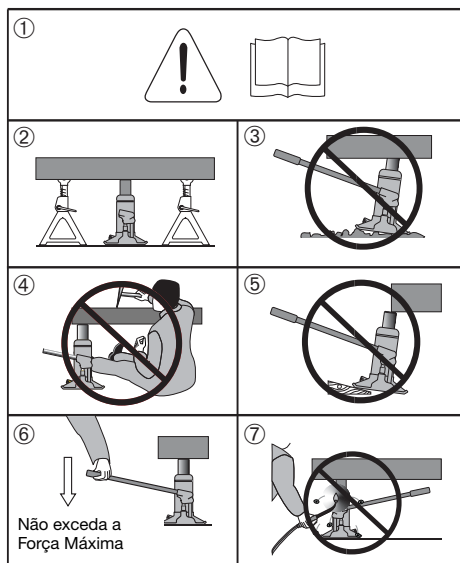


Fig. 1 - Cuidados com Segurança

2.3 Segurança - Cuidados adicionais com o Macaco tipo Garrafa

1. Não sobrecarregue o macaco. A carga não deve exceder a capacidade nominal do macaco.
2. Não eleve a carga acima do necessário.
3. Não coloque objetos sob a carga que está sendo levantada pelo macaco.
4. Não aplique força em qualquer objeto que está sendo levantado pelo macaco.
5. Remova a alavanca da bomba de seu soquete no macaco, quando este não estiver em usado. Use somente a alavanca da bomba fornecida com o macaco ou uma substituição precisa com as mesmas especificações.
6. Não remova ou libere o bujão de abastecimento de óleo/ar do macaco por qualquer razão, a menos que

o macaco esteja totalmente abaixado.

7. Nunca tente consertar, reparar ou ajustar o macaco enquanto este sustenta uma carga.
8. Use o macaco em temperatura ambiente entre -20 e +70°C [-4 e 158°F].
9. Permita que somente especialistas qualificados em hidráulica inspecionem e consertem o macaco. Para substituição, use somente peças originais Enerpac e óleo hidráulico Enerpac Série HF.

3.0 INSTRUÇÕES PARA O RECEBIMENTO

Inspeção visualmente todos os componentes para danos no transporte. Danos de transporte não são cobertos por garantia. Caso sejam encontrados danos causados pelo transporte, notifique imediatamente a transportadora. A transportadora é responsável por todos os reparos e custos de substituição ocorridos durante o transporte.

4.0 ESPECIFICAÇÕES


Modelo	◆ Capacidade tons [kN]	Curso Máximo mm [pol]	Altura. Mínima mm [pol]	Altura Máxima mm [pol]	Força Máxima da Alavanca da Bomba kgf [lb]	Altura da Extensão Rosqueada mm [pol]	Peso Líquido kg [lb]	Área da Base mm [pol]
GBJ-002	2 [19.6]	100 [3.94]	160 [6.30]	310 [12.20]	40 [88.2]	50 [1.97]	3,6 [7.9]	95 x 111 [3.74 x 4.37]
GBJ-002L	2 [19.6]	460 [18.11]	570 [22.44]	1030 [40.55]	40 [88.2]	*	9,6 [21.1]	127 x 127 [5.00 x 5.00]
GBJ-003	3 [29.4]	105 [4.13]	168 [6.61]	338 [13.31]	47 [103.6]	65 [2.56]	4,1 [9.0]	95 x 116 [3.74 x 4.57]
GBJ-005	5 [49]	150 [5.91]	212 [8.35]	437 [17.20]	50 [110.2]	75 [2.95]	5,0 [11.0]	95 x 123 [3.74 x 4.84]
GBJ-008	8 [78.4]	150 [5.91]	219 [8.62]	444 [17.48]	40 [88.2]	75 [2.95]	5,9 [13.0]	95 x 138 [3.74 x 5.43]
GBJ-010	10 [98]	150 [5.91]	219 [8.62]	444 [17.48]	40 [88.2]	75 [2.95]	6,5 [14.3]	95 x 142 [3.74 x 5.59]
GBJ-010S	10 [98]	62 [2.44]	131 [5.16]	223 [8.78]	40 [88.2]	30 [1.18]	5,5 [12.1]	95 x 142 [3.74 x 5.59]
GBJ-015	15 [147]	150 [5.91]	228 [8.98]	453 [17.83]	40 [88.2]	75 [2.95]	9,0 [19.8]	112 x 163 [4.41 x 6.42]
GBJ-020	20 [196]	150 [5.91]	234 [9.21]	459 [18.07]	40 [88.2]	75 [2.95]	12,1 [26.7]	127 x 171 [5.00 x 6.73]
GBJ-020S	20 [196]	105 [4.13]	190 [7.48]	350 [13.78]	40 [88.2]	55 [2.17]	10,0 [22.0]	127 x 171 [5.00 x 6.73]
GBJ-030	30 [294]	150 [5.91]	242 [9.53]	467 [18.39]	40 [88.2]	75 [2.95]	15,5 [34.2]	142 x 196 [5.59 x 7.72]
GBJ-050	50 [490]	150 [5.91]	252 [9.92]	402 [15.83]	40 [88.2]	*	28,5 [62.8]	180 x 230 [7.09 x 9.06]
GBJ-100	100 [980]	150 [5.91]	300 [11.81]	450 [17.72]	30 [66.1]	*	87,0 [191.8]	296 x 333 [11.65 x 13.11]

Notas:

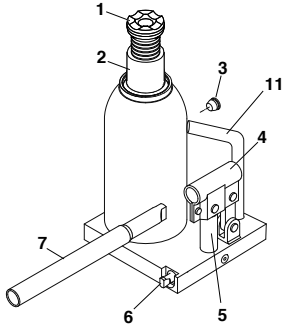
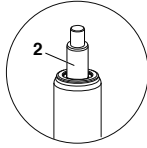
◆ Capacidades mostradas em tons. são nominais, valores em KN são reais.

* Modelo de Macaco não equipado com extensão rosqueada.

Dimensões mostradas são aproximadas. Todas as especificações do produto estão sujeitas a alterações sem aviso prévio.

 Esta ferramenta está de acordo com as exigências de Classificações da CE.

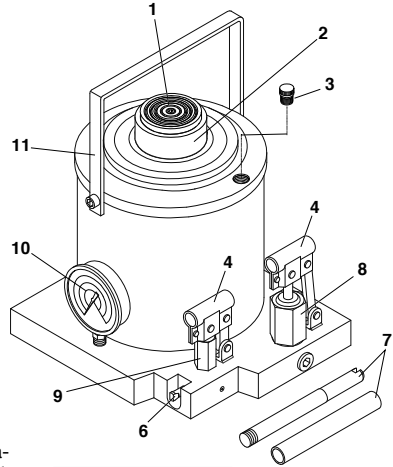
SOMENTE GBJ-002L



Modelos GBJ-002 - GBJ-050

Legenda:

1. Assento (todos exceto GBJ-002L)
2. Êmbolo
3. Bujão de Abastecimento de Óleo/Ar
4. Soquete da Alavanca
5. Bomba (todos exceto GBJ-100)
6. Válvula de Alívio
7. Alavanca da Bomba
8. Bomba de Baixa Pressão (somente GBJ-100)
9. Bomba de Alta Pressão (somente GBJ-100)
10. Manômetro de Pressão (somente GBJ-100)
11. Alavanca de Levantamento (somente GBJ-020 até GBJ-100)



Modelo GBJ-100

Fig. 2 - Características e Componentes

5.0 OPERAÇÃO

5.1 Antes de Usar o Macaco

1. Inspeccione as condições do macaco antes de usá-lo. Não utilize o macaco caso esteja danificado, com falta de peças ou se houver vazamento de óleo. Veja a Secção 6.3 para listas detalhadas de itens de inspeção.
2. Lubrifique os pinos e as articulações da bomba com óleo lubrificante. Veja a Secção 6.4 para pontos de lubrificação.
3. Remova o bujão de abastecimento de óleo/ar e verifique o nível de óleo. Veja a Secção 6.1 para especificações de óleo e informações adicionais.
4. Usando o terminal retangular da alavanca da bomba, gire a haste da válvula de alívio no sentido anti-horário para abrir a válvula (não gire mais que duas voltas). Ver Fig. 3.
5. Introduza a alavanca da bomba no soquete da alavanca. Acione a alavanca de 6 a 8 vezes. Isto vai ajudar a lubrificar as partes internas da bomba antes do levantamento.

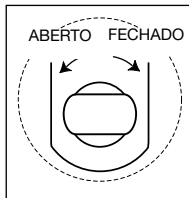


Fig. 3-Válvula de Alívio

Nota: Caso a haste suba erraticamente ou se uma sensação “esponjosa” é percebida enquanto a bomba está sob a carga, execute o procedimento de sangria de ar. Veja a Secção 6.2.

5.2 Levantando a Carga

1. Usando o terminal retangular da alavanca da bomba, gire a haste da válvula de alívio no sentido horário até que a válvula esteja completamente fechada.



CUIDADO: Para evitar danos, não use força excessiva ao fechar a válvula de alívio.

2. Posicione o macaco sob o ponto de levantamento adequado. Veja a Secção 8.0 para transporte do macaco e informação de posicionamento.
3. Introduza a alavanca da bomba no soquete da alavanca. Comprimento e quantidade de segmentos da alavanca vão variar, dependendo do modelo do macaco.

Nota: Modelo GBJ-100 possui duas bombas. Para este modelo de macaco, introduza a alavanca da bomba no soquete da bomba de baixa pressão.

4. Acione a alavanca da bomba até que o assento esteja em contato sólido com a carga. Em modelos equipados com extensão rosqueada, ajuste a altura da extensão conforme necessário. Certifique-se de que a carga está perpendicular ao centro do assento do macaco.



AVISO: Durante o levantamento, a inclinação da carga não deve exceder 6 graus. Ver Fig. 4.

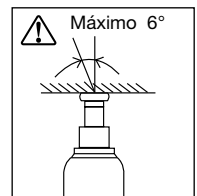


Fig. 4 - Carga Inclinada

- Continue a acionar a alavanca da bomba, conforme necessário para levantar a carga até a altura desejada.
- Modelo GBJ-100 somente: Depois que a carga estiver parcialmente levantada e o esforço de bombeamento aumentar consideravelmente, mova a alavanca para a bomba de alta pressão. Continue bombeando até que a carga alcance a altura desejada.



AVISO: Modelo GBJ-100 é equipado com um manômetro de pressão calibrado para indicar o peso aproximado que está sendo levantado. PARE imediatamente o bombeamento caso a leitura do manômetro exceda 100 toneladas métricas [980 kN]. O macaco não foi projetado para levantar cargas acima de 100 toneladas métricas (110 toneladas curtas).

- Imediatamente depois que o levantamento for completado, apoie a carga com suportes de peso nominal apropriado.

5.3 Baixando a Carga

- Acione a alavanca da bomba uma ou duas vezes, de forma que a carga seja liberada dos suportes. Remova os suportes de sob a carga.



AVISO: No próximo passo, gire a válvula de alívio vagarosamente. Se a válvula de alívio for aberta muito rapidamente, o objeto que está sendo abaixado pode cair subitamente, fazendo com que o macaco seja desalojado de sob a carga. Podem ocorrer sérias lesões pessoais e/ou danos à propriedade.



CUIDADO: Evite "impactos na carga" criados por abertura e fechamento rápidos da válvula de alívio, conforme a carga está sendo abaixada. Impactos na carga podem sobrecarregar o circuito hidráulico do macaco e danificá-lo.

- Usando o terminal retangular da alavanca da bomba, vagarosamente gire a haste da válvula de alívio no sentido anti-horário até que a válvula se abra e a haste comece a retornar (não gire mais que duas voltas). Permita que o retorno da haste continue até que a carga esteja totalmente abaixada.
- Remova o macaco da área de levantamento.
- Pressione totalmente a haste para baixo, fazendo com que volte para a posição de retorno. Gire a extensão rosqueada (caso equipado) até o fim, assim as roscas estarão totalmente encaixadas e protegidas contra danos.

5.4 Operação Horizontal (todos os modelos exceto GBJ-100)

Ao ser acionado horizontalmente, o macaco deve ser orientado de forma que a bomba esteja posicionada por baixo – o mais perto possível do solo. O macaco não funcionará adequadamente, caso a bomba esteja posicionada por cima. Ver Fig. 5 para posições horizontais de acionamento.



AVISO: Apóie o macaco durante o acionamento horizontal, para que não caia.



AVISO: A capacidade do macaco é de 50 por cento ou menos do que a capacidade nominal normal ao ser acionado horizontalmente. Seja cuidadoso para garantir que o macaco não está com excesso de carga durante o acionamento horizontal.



AVISO: Utilize sempre suportes devidamente classificados e/ou bloqueios equivalentes para manter objetos que foram separados e/ou que estejam sob tração. Nunca coloque as mãos, os pés ou o corpo entre objetos que estejam sendo apoiados somente pelo macaco.

Nota: Modelo GBJ-100 não deve ser utilizado na posição horizontal.

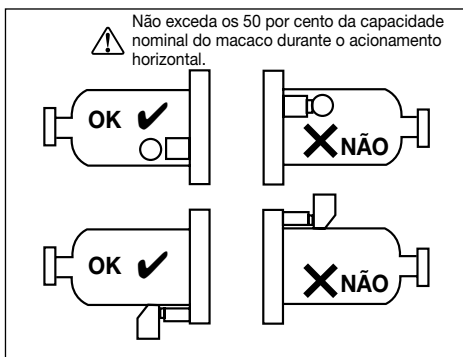


Fig. 5 - Acionamento Horizontal (todos os modelos exceto GBJ-100)

6.0 MANUTENÇÃO

6.1 Acrescentando Óleo Hidráulico

Se o nível de óleo estiver baixo, adicione mais, conforme descrito nos passos seguintes. Seja cuidadoso e evite a entrada de sujeira durante o abastecimento.

- Com a haste totalmente recolhida, coloque o macaco na posição vertical. Certifique-se de que a superfície sob o macaco é nivelada.
- Remova o bujão de abastecimento de óleo/ar. Em todos os macacos, exceto no modelo GBJ-100, o bujão está localizado na lateral da carcaça do cilindro. Somente no modelo GBJ-100, o bujão está localizado na parte superior da carcaça do cilindro.

IMPORTANTE: Use somente óleo hidráulico Enerpac Série HF (ISO Grau 32) despejado de um recipiente limpo.



AVISO: O uso de óleo para motor, fluido de freio, álcool, glicerina, óleo vegetal ou outros fluidos não aprovados vão danificar o macaco, resultando em possíveis falhas ou funcionamento inadequado do dispositivo. Podem ocorrer lesões pessoais e/ou danos à propriedade.

- Todos os modelos exceto GBJ-100: Abasteça até que o nível de óleo alcance a extremidade inferior do orifício de abastecimento de óleo. Ver Fig. 6.
- Somente modelo GBJ-100: Abasteça até que o nível de óleo esteja em torno de 3 pol. [75 mm] abaixo do orifício de abastecimento de óleo. Ver Fig. 7.

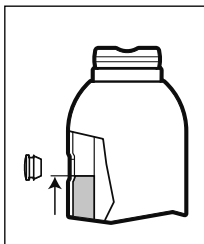


Fig. 6 - Nível de Óleo, todos os modelos exceto GBJ-100

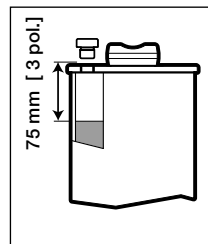


Fig. 7 - Nível de Óleo, somente modelo GBJ-100



CUIDADO: NÃO ENCHA DEMAIS! Com a haste totalmente recolhida e o macaco na posição vertical, o nível de óleo não deve estar mais alto que o mostrado na Fig. 6 ou Fig. 7 (conforme aplicável para o seu modelo de macaco).

5. Instale novamente o bujão de abastecimento de óleo/ar.
6. Sangre o ar como descrito na Seção 6.2.

6.2 Sangrando o Ar

O procedimento seguinte deve ser executado depois de adicionar óleo e sempre que uma sensação “esponjosa” for notada durante o acionamento do macaco.

Para remover o ar do macaco:

1. Usando o terminal retangular da alavanca da bomba, gire a haste da válvula de alívio no sentido anti-horário para abrir a válvula (não gire mais que duas voltas).
2. Introduza a alavanca da bomba no soquete da alavanca. Acione a alavanca de 6 a 8 vezes.
3. Usando o terminal retangular da alavanca da bomba, gire a haste da válvula de alívio no sentido horário até que a válvula esteja totalmente fechada.
4. Introduza a alavanca da bomba no soquete da alavanca. Acione a alavanca até que a haste esteja totalmente estendida.
5. Acione a alavanca da bomba por mais 5 a 6 vezes.
6. Usando o terminal retangular da alavanca da bomba, gire a haste da válvula de alívio no sentido anti-horário para abrir a válvula (não gire mais que duas voltas).
7. Empurre a haste totalmente para baixo até que esteja completamente recolhida.
8. Usando o terminal retangular da alavanca da bomba, gire a haste da válvula de alívio no sentido horário até que a válvula esteja totalmente fechada. Não aperte demais!
9. Todos os modelos, exceto GBJ-100: Usando os dedos, empurre para o lado a borracha do bujão de abastecimento de óleo/ar para liberar qualquer ar aprisionado.
10. Somente modelo GBJ-100: Gire o bujão de abastecimento de óleo/ar em 1 a 2 voltas para liberar qualquer ar aprisionado. Aperte o bujão depois de liberar o ar.

6.3 Inspeção

Inspeccione visualmente o macaco antes de cada utilização. Retire imediatamente o macaco de operação e tome uma ação corretiva caso algum dos seguintes problemas seja encontrado:

- a. Carcaça rachada ou danificada.
- b. Desgaste excessivo, torsão ou outros danos.
- c. Vazamento de fluido hidráulico.
- d. Êmbolo da haste marcado ou danificado (haste).
- e. Funcionamento incorreto da extensão rosqueada.
- f. Ferragem solta.
- g. Equipamento modificado ou alterado.



AVISO: Caso o macaco aparente quaisquer danos e/ou indique sinais de mau funcionamento, ele deve ser retirado imediatamente de operação. O macaco deve permanecer fora de operação até que seja inspecionado e consertado por um Centro Autorizado de Serviços Enerpac ou outro serviço de assistência qualificado.

6.4 Periodicidade de Manutenção

Cuidadosamente lubrifique todas as articulações e pinos com óleo lubrificante antes de usar o macaco e depois de cada 10 ciclos de movimentação para cima/para baixo. Ver Fig. 8.

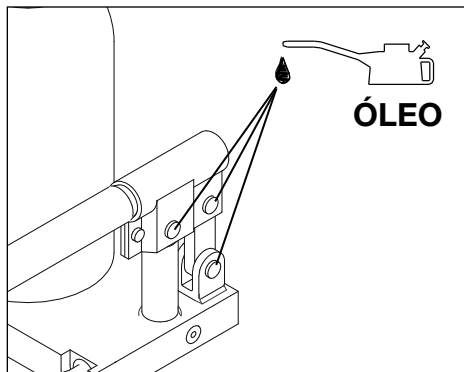


Fig. 8 - Lubrificação

Verifique periodicamente o macaco para sinais de corrosão. Conforme necessário, limpe, e esfregue com um pano saturado de óleo.

7.0 ARMAZENAMENTO

Antes de guardar o macaco:

- Empurre a haste totalmente para baixo, para que esteja completamente recolhida e protegida contra danos e corrosão.
- Certifique-se de que a extensão rosqueada (caso equipado) está totalmente abaixada, para proteger as roscas de danos.
- Limpe qualquer sujeira ou óleo.
- Certifique-se de que a válvula de alívio está completamente fechada.

Sempre armazene o macaco na posição vertical, em área protegida, onde ele não estará exposto a vapores corrosivos, pó abrasivo ou quaisquer outros elementos nocivos.

8.0 TRANSPORTANDO E POSICIONANDO O MACACO

- Modelos GBJ-002 até GBJ-050: Estes modelos podem ser transportados e posicionados manualmente, sem o uso de um dispositivo auxiliar de levantamento. Para maior conveniência, uma alavanca de levantamento é fornecida com os modelos GBJ-020, GBJ-020S, GBJ-030 e GBJ-050.
- Modelo GBJ-100: Este modelo deve ser transportado e posicionado com o uso de um guincho ou outro dispositivo auxiliar de levantamento de capacidade adequada. Prenda o gancho do dispositivo de levantamento na alavanca de levantamento do macaco.

Nota: Modelos GBJ-020 até GBJ-100: Veja Fig. 2 para localização da alavanca de levantamento do macaco. (item #11).

9.0 INSTALAÇÃO DO MANÔMETRO DE PRESSÃO (SOMENTE GBJ-100)

Um manômetro de pressão é usado somente com o Modelo GBJ-100. O manômetro é embarcado desmontado e deve ser instalado antes da operação do macaco. Ver Fig. 9.

Instale o manômetro conforme descrito nos passos seguintes:

1. Certifique-se de que a haste está totalmente recolhida e que não há carga sobre o assento.
2. Usando uma chave de boca fixa de 17 mm, remova o bujão de transporte (A) da saída do manômetro.
3. Certifique-se de que o anel tipo O (B) está assentado no fundo da saída rosqueada.
4. Posicione o manômetro (C) sobre a saída com o mostrador virado para fora, na direção do usuário.
5. Enquanto segura com firmeza a carcaça do manômetro de forma que esta não se mova, rosqueie a conexão giratória do manômetro na saída. Aperte a conexão manualmente usando uma chave de boca fixa de 22 mm.

IMPORTANTE: Para evitar danos ao anel tipo O, não use uma extensão na chave ao instalar o manômetro.

10.0 SOLUCIONANDO PROBLEMAS

Veja a tabela de soluções de problemas para uma lista de sintomas comuns do macaco tipo garrafa, causas possíveis e soluções.

Para consertos, entre em contato com um Centro Autorizado de Serviços Enerpac. Inspeção e reparos devem ser executados somente por um Centro Autorizado de Serviços Enerpac ou serviços qualificados de assistência hidráulica.

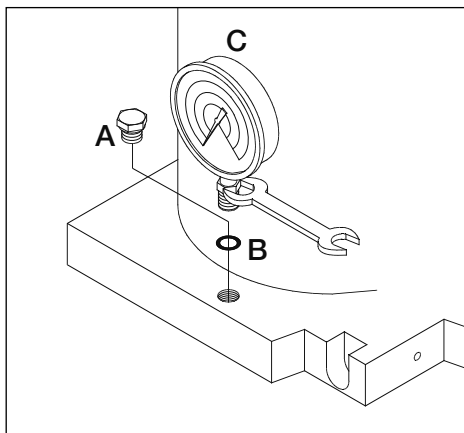


Fig. 9 - Instalação do Manômetro (somente GBJ-100)

TABELA DE SOLUÇÕES DE PROBLEMAS

SINTOMA	CAUSA POSSÍVEL	SOLUÇÃO
1. Movimentação irregular.	Ar no sistema.	Faça a sangria de ar da unidade. Veja a Seção 6.2 para instruções de sangria de ar.
	Viscosidade muito alta do óleo hidráulico.	Escoe todo o óleo velho do reservatório. Veja o nível adequando com óleo hidráulico Enerpac Tipo HF (ISO Grau 32). Veja a Seção 6.1. IMPORTANTE: Elimine o óleo usado de acordo com todos os regulamentos e leis aplicáveis.
	Haste grudando ou entortando.	Remova qualquer sujeira ou depósitos grudentos do macaco. Certifique-se de que o macaco não está desalinhado sob a carga.
	Vedação gasta e/ou dano interno.	Faça com que o macaco seja inspecionado e consertado por um Centro Autorizado de Serviços Enerpac.
2. Haste não avança.	Válvula de alívio está aberta.	Fecher a válvula de alívio.
	Nível baixo de óleo.	Abasteça o reservatório até o nível adequado com óleo hidráulico Enerpac Tipo HF (ISO Grau 32). Veja a Seção 6.1.
	Circuito hidráulico do macaco está com ar bloqueado.	Faça a sangria de ar da unidade. Veja a Seção 6.2 para instruções de sangria de ar.
	Carga é maior que a capacidade do macaco.	Use um macaco de capacidade mais alta com carga nominal adequada.

TABELA DE SOLUÇÕES DE PROBLEMAS (Continuação)		
SINTOMA	CAUSA POSSÍVEL	SOLUÇÃO
3. Haste avança só parcialmente.	Nível baixo de óleo.	Abasteça o reservatório até o nível adequado com óleo hidráulico Enerpac Tipo HF (ISO Grau 32). Veja a Secção 6.1.
	Haste está emperrada.	Remova qualquer sujeira ou depósitos grudentos do macaco. Certifique-se de que o macaco não está desalinhado sob a carga.
4. Haste avança vagarosamente.	Montagem da bomba gasta ou danificada.	Faça com que o macaco seja inspecionado e consertado por um Centro Autorizado de Serviços Enerpac.
	Vedação gasta e/ou dano interno.	Faça com que o macaco seja inspecionado e consertado por um Centro Autorizado de Serviços Enerpac.
5. Haste avança mas não sustenta a pressão.	Verifique se a válvula não está funcionando.	Faça com que o macaco seja inspecionado e consertado por um Centro Autorizado de Serviços Enerpac.
6. Vazamento visível de óleo na carcaça do macaco e/ou componentes.	Vedação gasta e/ou dano interno.	Faça com que o macaco seja inspecionado e consertado por um Centro Autorizado de Serviços Enerpac. Nota: Uma pequena quantidade de resíduo de óleo na superfície da haste é normal durante a rotina de acionamento do macaco.
7. Haste não retorna ou retorna vagarosamente.	Válvula de alívio está fechada.	Abra a válvula de alívio.
	Reservatório muito cheio.	Escoe o óleo até o nível correto. Veja a Secção 6.1.
	Dano interno.	Faça com que o macaco seja inspecionado e consertado por um Centro Autorizado de Serviços Enerpac.

L4000 Rev. C 04/13

1.0 KUVAUS

Enerpac GBJ-sarjan hydrauliset pullonostimet on suunniteltu kuormien nostamiseen. Nämä tuotteet täyttävät American National Standard Instituten vaatimukset ANSI/ASME PALD 2009 ja ASME B30.1-2009.



Lue ohjeet ja turvallisuustiedot huolellisesti läpi ennen kuin alat asentaa, käyttää tai huoltaa pullonostinta. Ohjeiden laiminlyönnistä saattaa olla seurauksena henkilö- tai omaisuusvahinkoja. Säilytä ohjeet myöhemmä käyttöä varten.

Voit tilata varaosia Enerpacin verkkosivulla olevalla varaosalomakkeella osoitteessa www.enerpac.com tai lähimmästä valtuutetusta Enerpacin huoltokeskuksesta tai myyntikonttorista.

2.0 PULLONOSTIMEN TURVALLISUUSTIEDOT

2.1 Vaaralausekkeet

Tässä käyttöohjeessa käytetään seuraavia varoituslausekkeita:

VAARA: Osoittaa uhkaavaa vaaraa käyttäjälle. Jos varoitoimenpiteitä ei noudateta, seurauksena saattaa olla vakava henkilövahinko tai kuolema.

VAROITUS: Jos varoitoimenpiteitä ei noudateta, seurauksena saattaa olla henkilövahinko tai kuolema.

HUOMIO: Jos varoitoimenpiteitä ei noudateta, seurauksena saattaa olla henkilövahinko tai nostimen vaurio.

On tärkeää, että luet ja ymmärrät kaikki vaaralausekkeet aina ennen nostimen käyttöä tai korjaustöitä.

2.2 Yleiset pullonostinta koskevat turvatoimenpiteet

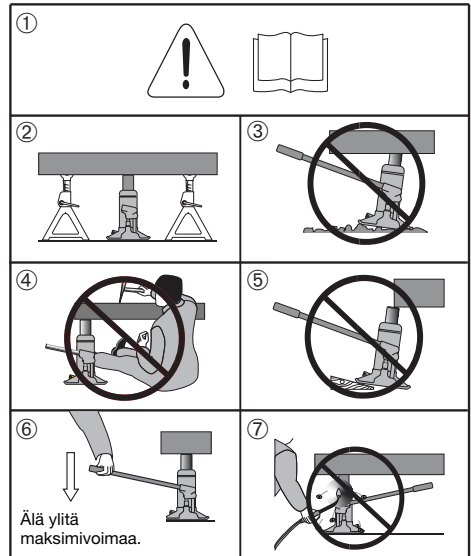


VAARA: Seuraavien varoitoimenpiteiden ja ohjeiden laiminlyönnin seurauksena saattaa olla vakavia henkilövahinkoja tai kuolema ja mahdollinen kuorman menetys. Myös omaisuusvahinkoja voi sattua tai nostin saattaa vaurioitua.

Katso kuva 1.

- ① Lue kaikki tässä käyttöohjeessa annetut ohjeet ja turvallisuustoimenpiteet ennen nostimen käyttöä ja varmistu, että olet ymmärtänyt ne.
- ② Nostin on ainoastaan nostolaite. Tue kuorma välittömästi nostamisen jälkeen oikein mitoitetuilla alustapukeilla tai vastaavilla tukipölkkyillä. Älä milloinkaan käytä nostinta tukemaan ylös nostetussa asennossa olevaa kuormaa, kun nosto on suoritettu loppuun.

- ③ Käytä nostinta vain kovalla, tasaisella pinnalla, joka kestää kuorman painon. Jos nostinta käytetään kaltevilla tai pehmeällä pinnalla, se saattaa kallistua, satula saattaa liukua ja putoavat esineet voivat aiheuttaa vakavia vammoja.
- ④ Älä työskentele hydrauliiikan kannattaman kuorman alla. Älä koskaan laita käsivartasi, jalkaasi tai mitään kehon osaa kuorman alle, joka on pelkästään nostimen kannattama. Työskentely ajoneuvojen tai muiden raskaiden esineiden alla nostin ylös nostetussa asennossa on ehdottomasti kielletty. Jos nostin laskee odottamatta tai luisuu pois kuorman alta, voi seurauksena olla vakava henkilövahinko tai kuolema.
- ⑤ Varmista, että nostopiste on tukeva ja kuorma keskellä nostimen satulaa.
- ⑥ Pumpun kahvan voima ei saa ylittää käytettävän nostimen suurinta sallittua voimaa. Katso luvun 4.0 taulukkoa.
- ⑦ Pidä nostin etäällä liekeistä ja kuumuudesta. Älä hitsaa tai muuta nostinta.



Kuva 1 - Turvallisuustoimenpiteet

2.3 Täydentävät pullonostinta koskevat turvatoimenpiteet

1. Älä ylikuormita nostinta. Kuorma ei saa ylittää nostimen nimelliskapasiteettia.
2. Älä nosta korkeampaa kuormaa kuin on tarpeen.
3. Älä laita esineitä kuorman alle, jota nostin on parhailaan nostamassa.
4. Älä kohdista voimaa mihinkään esineeseen, jota nostin parhailaan nostaa.
5. Irrota pumpun kahva nostimen kahvan istukasta, kun pumpua ei käytetä. Käytä ainoastaan nostimen mukana tullutta pumpun kahvaa tai samoja teknisiä ominaisuuksia omaavaa varaosaa.
6. Älä poista nostimen öljyn täyttötulppaa/ilman laskuventtiilin tulppaa mistään syystä ennen kuin nostin on täysin alhaalla.

4.0 TEKNISET TIEDOT

Malli	◆ Kapasiteetti tonnia [kN]	Maks. iskun pituus mm [tuuma]	Min. korkeus mm [tuuma]	Maks. korkeus mm [tuuma]	Maks. pumpun kahvan voima kgf [lb]	Ulkoruuvun korkeus mm [tuuma]	Nettopaino kg [lb]	Lustan ala mm [tuuma]
GBJ-002	2 [19.6]	100 [3.94]	160 [6.30]	310 [12.20]	40 [88.2]	50 [1.97]	3,6 [7.9]	95 x 111 [3.74 x 4.37]
GBJ-002L	2 [19.6]	460 [18.11]	570 [22.44]	1030 [40.55]	40 [88.2]	*	9,6 [21.1]	127 x 127 [5.00 x 5.00]
GBJ-003	3 [29.4]	105 [4.13]	168 [6.61]	338 [13.31]	47 [103.6]	65 [2.56]	4,1 [9.0]	95 x 116 [3.74 x 4.57]
GBJ-005	5 [49]	150 [5.91]	212 [8.35]	437 [17.20]	50 [110.2]	75 [2.95]	5,0 [11.0]	95 x 123 [3.74 x 4.84]
GBJ-008	8 [78.4]	150 [5.91]	219 [8.62]	444 [17.48]	40 [88.2]	75 [2.95]	5,9 [13.0]	95 x 138 [3.74 x 5.43]
GBJ-010	10 [98]	150 [5.91]	219 [8.62]	444 [17.48]	40 [88.2]	75 [2.95]	6,5 [14.3]	95 x 142 [3.74 x 5.59]
GBJ-010S	10 [98]	62 [2.44]	131 [5.16]	223 [8.78]	40 [88.2]	30 [1.18]	5,5 [12.1]	95 x 142 [3.74 x 5.59]
GBJ-015	15 [147]	150 [5.91]	228 [8.98]	453 [17.83]	40 [88.2]	75 [2.95]	9,0 [19.8]	112 x 163 [4.41 x 6.42]
GBJ-020	20 [196]	150 [5.91]	234 [9.21]	459 [18.07]	40 [88.2]	75 [2.95]	12,1 [26.7]	127 x 171 [5.00 x 6.73]
GBJ-020S	20 [196]	105 [4.13]	190 [7.48]	350 [13.78]	40 [88.2]	55 [2.17]	10,0 [22.0]	127 x 171 [5.00 x 6.73]
GBJ-030	30 [294]	150 [5.91]	242 [9.53]	467 [18.39]	40 [88.2]	75 [2.95]	15,5 [34.2]	142 x 196 [5.59 x 7.72]
GBJ-050	50 [490]	150 [5.91]	252 [9.92]	402 [15.83]	40 [88.2]	*	28,5 [62.8]	180 x 230 [7.09 x 9.06]
GBJ-100	100 [980]	150 [5.91]	300 [11.81]	450 [17.72]	30 [66.1]	*	87,0 [191.8]	296 x 333 [11.65 x 13.11]

Huomautuksia:

◆ Tonneina ilmoitettu kapasiteetti on nimellinen, kN-arvot ovat todellisia.

* Nostinmalli, jossa ei ole jatkoruuvia.

Mitat ovat likimääräisiä. Kaikkia tuotetietoja voidaan muuttaa ilman erillistä ilmoitusta.


7. Älä aloita nostimen huoltoa, korjausta tai säätöä, jos nostimessa on kuormaa.

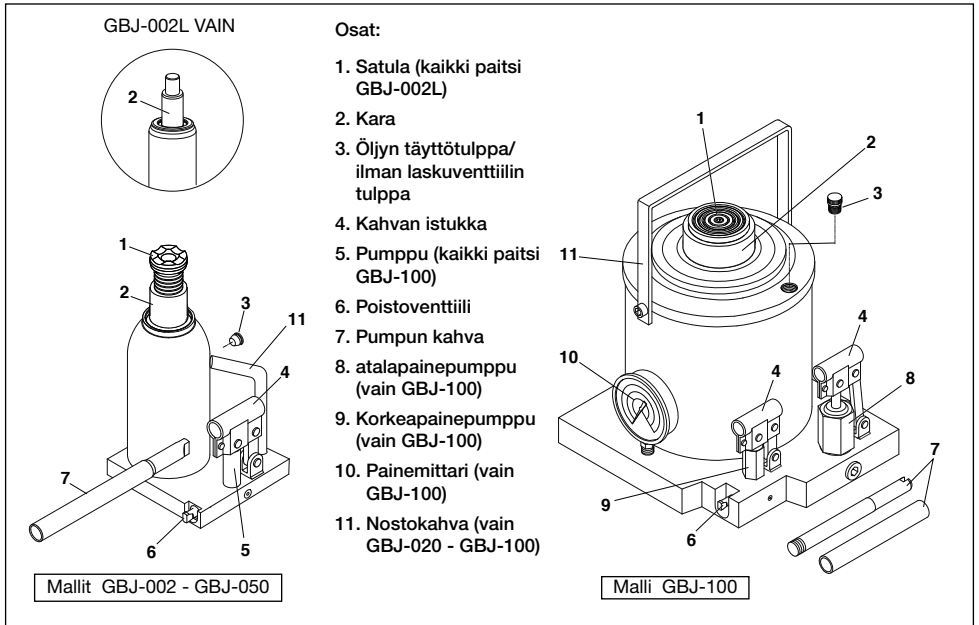
8. Käytä nostinta vain -20 ja +70 °C:een välisissä lämpötiloissa.

9. Anna vain ammattitaitoisten ja pätevien hydraulikka-asiantuntijoiden tarkastaa ja korjata nostin. Käytä ainoastaan alkuperäisiä Enerpac-varaosia ja Enerpacin HF-sarjan hydraulioilyjä.

3.0 VASTAANOTTO-OHJEET

Tarkasta silmämääräisesti kaikki osat kuljetusvaurioiden varalta. Takuu ei korvaa kuljetusvaurioita. Ilmoita kuljetusliikkeelle välittömästi mahdollisista vaurioista. Kuljetusliike vastaa kaikista kuljetusvaurioista aiheutuneista korjaus- ja varaosakustannuksista.

 Tämä työkalu täyttää CE-merkinnän vaatimukset.



Kuva 2 - Ominaisuudet ja osat

5.0 KÄYTTÖ

5.1 Ennen käytön aloittamista

1. Tarkasta nostimen kunto ennen käyttöä. Älä käytä nostinta, jos se on vahingoittunut, siitä puuttuu osia tai jos siitä vuotaa öljyä. Katso luvusta 6.3 yksityiskohtainen lista tarkastuskohteista.

2. Voitele pumpun liitokset ja kääntötapit voiteluöljyllä. Katso voitelukohtat luvusta 6.4.

3. Irrota öljyn täyttötulppa/ilman laskuventtiilin tulppa ja tarkasta öljyn pinnantas. Katso öljytiedot ja lisätietoja luvusta 6.1.

4. Käytä pumpun kahvan suorakulmaista päätä ja käännä paineenalennusventtiilin vartta vastapäivään venttiilin avaamiseksi (älä käännä kahta kierrosta enempää). Katso kuva 3.

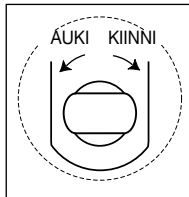


Fig. 3 - Release Valve

5. Aseta pumpun kahva kahvan istukkaan. Käytä kahvaa 6-8 iskun verran. Näin pumpun sisäosat voidellutvat helpommin ennen nostamista.

Huomautus: Jos kara nousee epätasaisesti tai jos huomaat pehmyyttä pumpatessasi kuormitettuna, suorita ilmanpoisto. Katso luvusta 6.2.

5.2 Kuorman nosto

1. Käytä pumpun kahvan suorakulmaista päätä ja käännä paineenalennusventtiilin vartta myötäpäivään, kunnes venttiili on täysin kiinni.



HUOMIO: Älä käytä liiallista voimaa poistiventtiilin sulkemisessa, sillä se voi aiheuttaa vaurioita.

2. Aseta nostin asianmukaisen nostopisteen alle. Katso lisää nostimen kuljetuksesta ja sijoittamisesta luvusta 8.0.

3. Aseta pumpun kahva kahvan istukkaan. Kahvan lohkojen pituus ja määrä vaihtelevat nostinmallista riippuen.

Huomautus: Mallissa GBJ-100 on kaksi pumppua. Aseta tämän nostinmallin pumpun kahva matalapainepumpun istukkaan.

4. Käytä pumpun kahvaa, kunnes satula koskettaa tiiviisti kuormaa. Jatkoruuvilla varustetuissa malleissa säädä ruuvien korkeutta tarpeen mukaan. Varmista, että kuorma on kohtisuorassa nostimen satulan keskikohtaan nähden.



VAROITUS: Kalteva kuorma ei saa noston aikana ylittää 6 astetta. Katso kuva 4.



Kuva 4 - Kalteva kuorma

5. Jatka pumpun kahvan käyttämistä vaaditulla tavalla nostaaksesi kuorman halutulle korkeudelle.
6. Vain malli GBJ-100: Kun kuorma on osittain nostettu ja pumppausteho on selvästi lisääntynyt, siirrä pumpun kahva korkeapainepumppuun. Jatka pumppaamista, kunnes kuorma on noussut halutulle korkeudelle.



VAROITUS: Malli GBJ-100 on varustettu kalibroidulla painemittarilla, joka osoittaa nostettavan kuorman likimääräisen painon. LOPETA pumppaaminen heti, jos mittarin lukema ylittää 100 metristä tonnia (980 kN). Nostinta ei ole suunniteltu yli 100 metristä tonnia (110 lyhyttä tonnia) painavien kuormien nostamiseen.

6. Kun nosto on suoritettu, tue kuorma välittömästi oikein mitoitetuilla alustapukeilla.

5.3 Kuorman lasku

1. Käytä pumpun kahvaa pari iskun verran niin, että kuorma nousee pois alustapukeilta. Poista alustapukit kuorman alta.



VAROITUS: Käännä poistoventtiiliä hitaasti seuraavassa vaiheessa. Jos venttiili avautuu liian nopeasti, alas laskeva kuorma voi pudota yhtäkkiä aiheuttaen sen, että nostin siirtyy pois paikaltaan kuorman alta. Sen seurauksena voi olla vakavia vammoja tai aineellisia vahinkoja.



HUOMIO: Vältä "shokkikuormia", joita aiheuttaa poistoventtiilin nopea avautuminen ja sulkeutuminen kuorman laskun aikana. Shokkikuormat saattavat ylikuormittaa nostimen hydraulipiiriä ja vaurioittaa nostinta.

2. Käytä pumpun kahvan suorakulmaista päätä ja käännä poistoventtiilin vartta hitaasti vastapäivään, kunnes venttiili avautuu ja kara alkaa vetäytyä (älä käännä kahta kierrosta enempää). Anna karan vetäytyä sisään, kunnes kuorma on täysin alhaalla.
3. Poista nostin nostoalueelta.
4. Paina karaa alas palauttaaksesi sen täysin sisään. Kierrä jatkoruuvia (jos varusteena) pohjaan asti niin, että kiertet on kokonaan upotettu sisään ja suojassa vaurioitumiselta.

5.4 Käyttö vaakatasossa (kaikki mallit paitsi GBJ-100)

Kun nostinta käytetään vaakatasossa, se on suunnattava niin, että pumppu sijaitsee alhaalla - lähinnä maata. Nostin ei toimi kunnolla, jos pumppu sijoitetaan ylös. Katso kuvasta 5 vaakatason käyttöasennot.



VAROITUS: Tue nostin vaakatasokäytön ajaksi niin, ettei se pääse putoamaan.

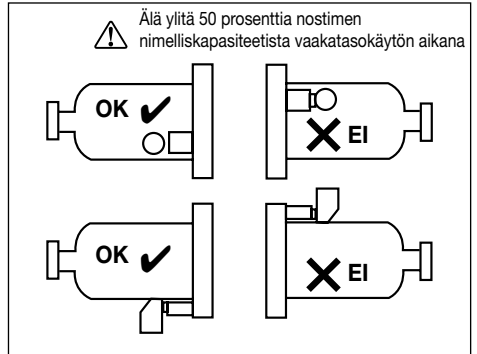


VAROITUS: Nostimen kapasiteetti on 50 prosenttia tai vähemmän normaalista tehosta, kun sitä käytetään vaakatasossa. Varmista huolellisesti, että nostinta ei ylikuormiteta vaakatasokäytön aikana.



VAROITUS: Älä käytä aina oikein mitoitetuja tukipölkkyjä tai tukia kiinnittämään esineet, jotka ovat työntyneet erilleen tai jotka ovat jännitettynä. Älä milloinkaan laita käsiäsi, jalkoja tai kehon osaa pelkästään nostimen kannattamien esineiden väliin.

Huomautus: Mallia GBJ-100 ei tulisi käyttää vaakatasossa.



Kuva 5 - Käyttö vaakatasossa (kaikki mallit paitsi GBJ-100)

6.0 HUOLTO

6.1 Hydraulioilyjen lisääminen

Jos öljyntaso on alhainen, lisää öljyä seuraavien ohjeiden mukaisesti. Varo, ettei nostimeen pääse liikaa öljyntäytön aikana.

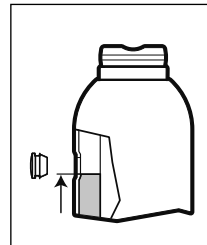
1. Karan ollessa täysin sisäänvedetty aseta nostin pystyasentoon. Varmista, että nostimen alla oleva pinta on tasainen.
2. Irrota öljyntäyttötulppa/ilman laskuventtiilin tulppa. Kaikissa nostimissa paitsi mallissa GBJ-100 tulppa sijaitsee sylinterikotelon sivulla. Mallissa GBJ-100 tulppa sijaitsee sylinterikotelon yläosassa.

TÄRKEÄÄ: Käytä ainoastaan puhtaasta säiliöstä kaadettua Enerpacin HF-sarjan hydraulioilyjä (ISO-luokka 32).

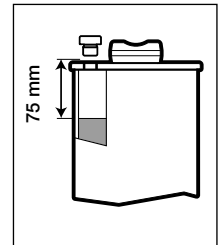


VAROITUS: Moottorioilyn, jarrunesteen, alkoholin, glyserolin, kasvioilyn tai muiden hyväksymättömien nesteiden käyttö vahingoittaa nostinta, minkä seurauksena laite voi vikaantua tai toimia virheellisesti. Seurauksena saattaa olla henkivahinkoja tai aineellisia vahinkoja.

3. Kaikki mallit paitsi GBJ-100: Täytä, kunnes öljyn määrä on suunnilleen täyttöaukon alareunan tasolla. Katso kuva 6.
4. Vain malli GBJ-100: Täytä, kunnes öljyn määrä on n. 75 mm täyttöaukon alapuolella. Katso kuva 7.



Kuva 6 - Öljyntaso, kaikki mallit paitsi GBJ-100



Kuva 7 - Öljyntaso, vain malli GBJ-100



HUOMIO: ÄLÄ TÄYTÄ SÄILIÖTÄ LIIAN TÄYTEEN! Karan ollessa täysin sisäänvedettynä ja nostin pystyasennossa öljyn pinnantason ei tulisi olla korkeampi kuin kuvassa 6 tai 7 (nostinmalliin soveltuvin osin).

5. Aseta öljyntäyttötulppa/ilman laskuventtiinin tulppa takaisin paikoilleen.
6. Poista ilma luvun 6.2 ohjeiden mukaisesti.

6.2 Ilmanpoisto

Ilmaus tulee suorittaa öljyn lisäämisen jälkeen ja aina kun huomaat "pehmeyttä" nostimen käytön aikana.

Nostimen ilmaus:

1. Käytä pumpun kahvan suorakulmaista päätä ja käännä poistovenntiin vartta hitaasti vastapäivään, kunnes venttiili avautuu (älä käännä kahta kierrosta enempää).
2. Aseta pumpun kahva kahvan istukkaan. Käytä kahvaa 6-8 iskun verran.
3. Käytä pumpun kahvan suorakulmaista päätä ja käännä poistovenntiin vartta myötäpäivään, kunnes venttiili on täysin kiinni.
4. Aseta pumpun kahva kahvan istukkaan. Käytä kahvaa, kunnes kara on täysin ulkona.
5. Käytä pumpun kahvaa vielä 5-6 iskun verran.
6. Käytä pumpun kahvan suorakulmaista päätä ja käännä poistovenntiin vartta vastapäivään, kunnes venttiili avautuu (älä käännä kahta kierrosta enempää).
7. Työnnä kara pohjaan asti, kunnes se on vetäytynyt täysin sisään.
8. Käytä pumpun kahvan suorakulmaista päätä ja käännä poistovenntiin vartta myötäpäivään, kunnes venttiili on täysin kiinni. Älä ylikiristä!
9. Kaikki mallit paitsi GBJ-100: Työnnä sormin kuminen öljyntäyttötulppa/ilman laskuventtiin tulppa sivulle vapauttaaksesi kaiken loukkuun jääneen ilman.
10. Vain malli GBJ-100: Löysää öljyn täyttötulppaa/ilman laskuventtiin tulppaa 1-2 kierrosta vapauttaaksesi kaiken loukkuun jääneen ilman. Kiristä tulppa kiinni ilman vapauttamisen jälkeen.

6.3 Tarkastus

Tarkasta nostin silmämääräisesti aina ennen käyttöä. Jos jokin seuraavista ongelmista ilmenee, poista nostin käytöstä heti ja tee tarvittavat korjaukset:

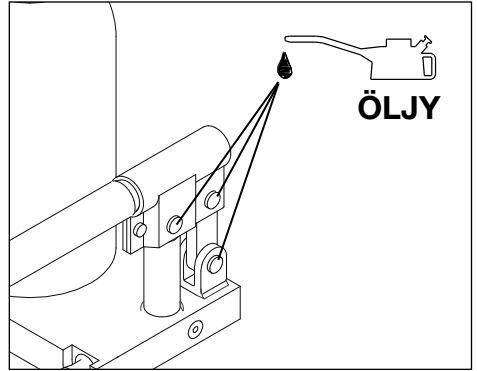
- a. Murtunut tai vaurioitunut kotelo
- b. Kohtuuton kuluminen, taipuminen tai muu vaurio
- c. Hydraulinesteen vuoto
- d. Naarmuinen tai vioittunut männän varsi (kara)
- e. Virheellisesti toimiva jatkoruuvi
- f. Kiinnitysosat löysällä
- g. Laitetta muutettu tai muunneltu



VAROITUS: Jos nostin vaikuttaa jotenkin vialliselta tai osoittaa merkkejä toimintahäiriöstä, se on välittömästi poistettava käytöstä. Nostinta ei saa käyttää ennen kuin Enerpacin valtuuttama huoltokeskus tai muu pätevä hydraulilkan huoltokeskus on tarkastanut ja korjannut sen.

6.4 Määräaikaishuolto

Voitele kaikki kääntöpatit ja liitokset huolellisesti voiteluöljyllä ennen nostimen käyttöä ja aina karan tehtyä 10 ylös-/alas-jaksoa. Katso kuva 8.



Kuva 8 - Lubrication

Tarkasta kara säännöllisesti korroosion varalta. Puhdista tarvittaessa ja pyyhi öljyllä kyllästetyllä rievulla.

7.0 VARASTOINTI

Ennen nostimen varastointia:

- Työnnä kara pohjaan asti niin, että se on täysin sisällä ja suojassa vaurioilta ja korrosiolta.
- Varmista, että jatkoruuvi (jos varusteena) on kierretty pohjaan asti niin, että kierteet ovat suojassa vaurioitumiselta.
- Pyyhi lika ja öljy pois.

Varmista, että poistovenntiili on täysin kiinni.

Säilytä nostinta aina pystyasennossa suojatussa tilassa, jossa se ei ole alttiina syövyttävälle höyryille, hiomapölylle tai millekään muulle haitalliselle aineosalle.

8.0 NOSTIMEN KULJETUS JA SIOJITTAMINEN

Mallit GBJ-002 - GBJ-050: Näitä malleja voidaan kuljettaa ja asettaa paikalleen käsin ilman apunostolaitetta. Mallien GBJ-020, GBJ-020S, GBJ-030 ja GBJ-050 lisämukavuutena on nostokahva.

Malli GBJ-100: Tämän mallin kuljetukseen ja sijoittamiseen tarvitaan nostolaite tai muu vastaavan kapasiteetin omaava apunostolaite. Kiinnitä nostolaitteen koukku nostimen nostokahvaan.

Huomautus: Mallit GBJ-020 - GBJ-100: Katso nostimen nostokahvan paikka kuvasta 2 (nro 11).

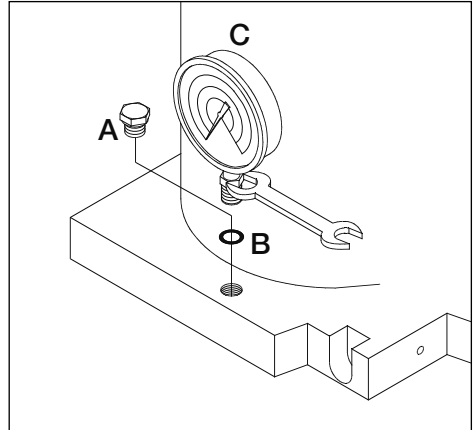
9.0 PAINEMITTARIN ASENNUS (VAIN GBJ-100)

Painemittaria käytetään ainoastaan mallissa GBJ-100. Mittari toimitetaan irrallisena ja se pitää asentaa ennen kuin nostinta aletaan käyttää. Katso kuva 9.

Asenna mittari seuraavalla tavalla:

1. Varmista, että kara on täysin sisällä eikä satulan päällä ole kuormaa.
2. Irrota kuljetustulppa (A) mittarin liitäntäaukosta 17 mm:n leuka-avaimella.
3. Varmista, että O-rengas (B) istuu kierrelliintäisen aukon pohjalla.
4. Aseta mittari (C) aukon yläpuolelle niin, että näyttötaulu osoittaa ulospäin käyttäjää kohti.
5. Pidä mittarin rungosta lujasti kiinni niin ettei se pääse liikkumaan ja pujota mittarin nivelliitos aukkoon. Kiristä liitos käsin 22 mm leuka-avaimen avulla.

TÄRKEÄÄ: Älä käytä kiintoavaimen jatketta mittaria asentaessasi, sillä O-rengas voisi vaurioitua.



Kuva 9 - Mittarin asennus (vain GBJ-100)

10.0 VIANETSINTÄ

Vianetsintätaulukossa on luettelo yleisimmistä pullonostimen ongelmista, mahdollisista syistä ja ratkaisuista.

Korjaushuoltoa varten ota yhteys Enerpacin valtuuttamaan huoltokeskukseen. Tarkastukset ja korjaukset saa suorittaa vain Enerpacin valtuuttama huoltokeskus tai muu pätevä hydrauliiikan huoltokeskus.

VIANETSINTÄTAULUKKO		
ONGELMA	MAHDOLLINEN SYY	RATKAISU
1. Epätasainen käynti.	Järjestelmässä on ilmaa.	Poista ilma laitteesta. Katso luvun 6.2. ilmausta koskevia ohjeita.
	Hydrauliöljyn viskositeetti liian korkea.	Juoksuta vanha öljy säiliöstä. Täytä säiliö oikealle tasolle Enerpac HF-hydrauliöljyllä (ISO-luokka 32). Katso luvusta 6.1. TÄRKEÄÄ: Hävitä käytetty öljy sovellettavien lakien ja määräysten mukaisesti.
	Kara jumiutunut tai juuttunut kiinni.	Poista lika tai kumimaiset sakat nostimesta. Varmista, että nostimen säätö ei muutu kuormitettaessa.
	Tiiviste kulunut ja/tai sisäinen vaurio.	Anna Enerpacin valtuuttaman huoltokeskuksen tarkastaa ja korjata nostin.
2. Kara ei liiku eteenpäin.	Poistoventtiili on auki.	Sulje poistoventtiili.
	Matala öljytaso.	Täytä säiliö oikealle tasolle Enerpac HF-hydrauliöljyllä (ISO-luokka 32). Katso luvusta 6.1.
	Nostimen hydraulipiiri on hermeettisesti suljettu.	Poista ilma laitteesta. Katso luvun 6.2. ilmausta koskevia ohjeita.
	Kuorma ylittää nostimen kapasiteetin.	Käytä suurempikapasiteettista nostinta.

VIANETSINTÄTAULUKKO (jatkuu)		
ONGELMA	AHDOLLINEN SYY	RATKAISU
3. Kara työntyy ulos vain osittain.	Matala öljytaso.	Täytä säiliö oikealle tasolle Enerpac HF-hydrauliöljyllä (ISO-luokka 32). Katso luvusta 6.1.
	Kara on juuttunut kiinni.	Poista lika tai kumimaiset sakat nostimesta. Varmista, että nostimen säätö ei muutu kuormitettaessa.
4. Kara liikkuu hitaasti eteenpäin.	Pumppuyksikkö kulunut tai vaurioitunut.	Anna Enerpacin valtuuttaman huoltokeskuksen tarkastaa ja korjata nostin.
	Tiiviste kulunut ja/tai sisäinen vaurio.	Anna Enerpacin valtuuttaman huoltokeskuksen tarkastaa ja korjata nostin.
5. Kara liikkuu eteenpäin, muttei säilytä painetta.	Sulkuventtiili ei toimi.	Anna Enerpacin valtuuttaman huoltokeskuksen tarkastaa ja korjata nostin.
6. Näkyvä öljyvuoto nostimen rungossa ja/tai osissa.	Tiiviste kulunut ja/tai sisäinen vaurio.	Anna Enerpacin valtuuttaman huoltokeskuksen tarkastaa ja korjata nostin. Huomautus: Pieni määrä öljyjäämää karan pinnalla on normaalia nostimen rutiinikäytön aikana.
7. Kara ei vetäydy sisään tai vetäytyy hitaasti.	Poistoventtiili on kiinni.	Avaa poistoventtiili.
	Säiliö on täytetty liian täyteen.	Vähennä öljyä oikealle tasolle. Katso luvusta 6.
	Sisäinen vaurio.	Anna Enerpacin valtuuttaman huoltokeskuksen tarkastaa ja korjata nostin.

L4000 Rev. C 04/13

1.0 BESKRIVELSE

Enerpac GBJ-serien av hydrauliske flaskejekk er beregnet på å løfte laster. Disse produktene oppfyller American National Standard-spesifikasjonene ANSI/ASME PALD 2009 og ASME B30.1-2009.



Les instruksjonene og sikkerhetsinformasjonen nøye før du forsøker å sette sammen, bruke eller vedlikeholde flaskejekken. Hvis du ikke følger instruksjonene, kan det føre til personskade og/eller skade på eiendom. Hvis du ikke følger instruksjonene, kan det føre til personskade og/eller skade på eiendom. Ta vare på instruksjonene for fremtidig referanse.

Reservedelsark for dette produktet finnes på nettstedet til Enerpac på www.enerpac.com, eller kan fås fra nærmeste autoriserte Enerpac servicesenter eller salgskontor.

2.0 SIKKERHETSINFORMASJON OM FLASKEJEKKER

2.1 Fareanvisninger

Følgende fareanvisninger brukes i denne instruksjonshåndboken:

FARE: Indikerer umiddelbar fare for brukeren. Hvis du ikke følger forholdsreglene, kan det føre til alvorlig personskade eller død.

ADVARSEL: Hvis du ikke følger forholdsreglene, kan det føre til personskade eller død.

FORSIKTIG: Hvis du ikke følger forholdsreglene, kan det føre til personskade og/eller skade på jekken.

Du må alltid lese og forså alle fareanvisninger før du bruker jekken er reparerer den.

2.2 Generelle forholdsregler for sikkerhet med flaskejekk



FARE: Hvis du ikke følger forholdsreglene og instruksjonene, kan det føre til alvorlig personskade eller død, og det kan føre til at du mister lasten. Det kan også føre til skade på jekken og/eller annen eiendom.

Se Fig. 1.

- ① Les og forstå alle instruksjoner og forholdsregler i denne håndboken før du bruker jekken.
- ② Jekken er kun en løfteanordning. Støtt opp lasten umiddelbart etter løftet med tilstrekkelige stativer eller tilsvarende understøtting. Bruk aldri jekken til å støtte opp lasten i hevet stilling etter at løftet er gjort.
- ③ Jekken må kun brukes på et hardt og jevnt underlag. Hvis jekken brukes på et hellende eller mykt underlag, kan salen glippe. Objekter kan falle og føre til alvorlig skade.
- ④ Ikke arbeid under laster som understøttes av hydraulikk. Plasser aldri armer, bein eller kroppen under en last som kun støttes opp av jekken. Det er strengt forbudt å arbeide under kjøretøyer eller andre tunge objekter når jekken er i hevet stilling. Det kan føre til alvorlig skade eller død dersom jekken uventet senkes eller sklir ut fra under lasten.
- ⑤ Påse at løftepunktet er stabilt og at lasten er sentrert på jekksalen.
- ⑥ Kraften på pumpehåndtaket må ikke overskride maks. tillatte kraft for jekkmodellen som brukes. Se tabellen i avsnitt 4.0.
- ⑦ Hold jekken unna åpen ild og varme. Jekken må ikke sveises eller modifiseres.

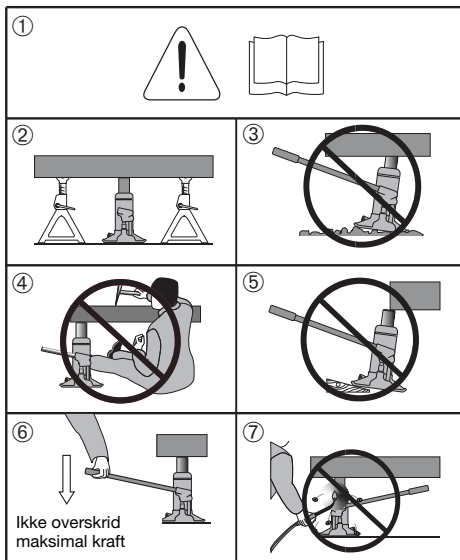


Fig. 1 - Sikkerhetsmessige forholdsregler

2.3 Ytterligere forholdsregler for flaskejegger

1. Ikke overbelast jekken. Lasten må ikke overskride jekkens nominelle kapasitet.
2. Ikke løft lasten høyere enn nødvendig.
3. Ikke plasser objekter under lasten som heves av jekken.
4. Ikke tilfør kraft til et objekt som løftes av jekken.
5. Fjern pumpehåndtaket fra håndtaksfestet på jekken når det ikke brukes. Bruk kun pumpehåndtaket som følger med jekken, eller en nøyaktig erstatning med samme spesifikasjon.
6. Ta aldri ut jekkens oljefyllings-/luftplugg – uansett årsak – før jekken er senket helt ned.
7. Forsøk aldri å vedlikeholde, reparere eller justere jekken mens den holder en last.

8. Jekken må kun brukes i omliggende temperaturer mellom -20 til +70 °C.

9. La kun opplærte og kvalifiserte hydraulikkspesialister inspisere og reparere jekken. Bruk kun originale Enerpac reservedeler og Enerpac HF hydraulikkolje.

3.0 INSTRUKSJONER FOR MOTTAK

Kontroller visuelt at ingen komponenter har transportskader. Transportskade dekkes ikke av garantien. Hvis det finnes transportskade må transportøren få melding med en gang. Transportøren er ansvarlig for alle kostnader forbundet med reparasjon eller utskiftning som forårsakes av transportskade.

4.0 SPESIFIKASJONER


Modell	◆ Kapasitet tonn [kN]	Maks. Slag mm [tommer]	Min. høyde mm [tommer]	Maks. høyde mm [tommer]	Maks. Pumpe- håndta- kskraft kgf [lb]	Forl. skrue- høyde i mm [tommer]	Nettvekt kg [lb]	Fotareal mm [tommer]
GBJ-002	2 [19,6]	100 [3.94]	160 [6.30]	310 [12.20]	40 [88.2]	50 [1.97]	3,6 [7.9]	95 x 111 [3.74 x 4.37]
GBJ-002L	2 [19,6]	460 [18.11]	570 [22.44]	1030 [40.55]	40 [88.2]	*	9,6 [21.1]	127 x 127 [5.00 x 5.00]
GBJ-003	3 [29,4]	105 [4.13]	168 [6.61]	338 [13.31]	47 [103.6]	65 [2.56]	4,1 [9.0]	95 x 116 [3.74 x 4.57]
GBJ-005	5 [49]	150 [5.91]	212 [8.35]	437 [17.20]	50 [110.2]	75 [2.95]	5,0 [11.0]	95 x 123 [3.74 x 4.84]
GBJ-008	8 [78,4]	150 [5.91]	219 [8.62]	444 [17.48]	40 [88.2]	75 [2.95]	5,9 [13.0]	95 x 138 [3.74 x 5.43]
GBJ-010	10 [98]	150 [5.91]	219 [8.62]	444 [17.48]	40 [88.2]	75 [2.95]	6,5 [14.3]	95 x 142 [3.74 x 5.59]
GBJ-010S	10 [98]	62 [2.44]	131 [5.16]	223 [8.78]	40 [88.2]	30 [1.18]	5,5 [12.1]	95 x 142 [3.74 x 5.59]
GBJ-015	15 [147]	150 [5.91]	228 [8.98]	453 [17.83]	40 [88.2]	75 [2.95]	9,0 [19.8]	112 x 163 [4.41 x 6.42]
GBJ-020	20 [196]	150 [5.91]	234 [9.21]	459 [18.07]	40 [88.2]	75 [2.95]	12,1 [26.7]	127 x 171 [5.00 x 6.73]
GBJ-020S	20 [196]	105 [4.13]	190 [7.48]	350 [13.78]	40 [88.2]	55 [2.17]	10,0 [22.0]	127 x 171 [5.00 x 6.73]
GBJ-030	30 [294]	150 [5.91]	242 [9.53]	467 [18.39]	40 [88.2]	75 [2.95]	15,5 [34.2]	142 x 196 [5.59 x 7.72]
GBJ-050	50 [490]	150 [5.91]	252 [9.92]	402 [15.83]	40 [88.2]	*	28,5 [62.8]	180 x 230 [7.09 x 9.06]
GBJ-100	100 [980]	150 [5.91]	300 [11.81]	450 [17.72]	30 [66.1]	*	87,0 [191.8]	296 x 333 [11.65 x 13.11]

Notater:

◆ Kapasitet som vises i tonn er nominelle, verdiene i KN er faktiske.

* Jekkmodell ikke utstyrt med forlengerskrue.

Viste dimensjoner er omtrentlige. Alle produktspesifikasjoner kan endres uten varsel.

 Dette verktøyet oppfyller kravene til CE-merking.

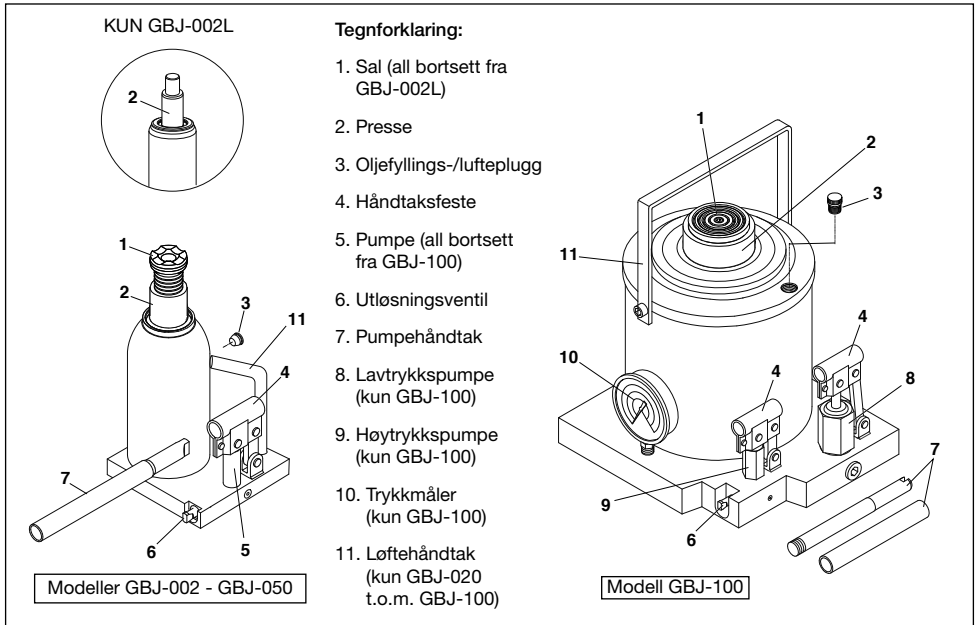


Fig. 2 - Funksjoner og komponenter

5.0 BRUK

5.1 Før du bruker jekken

- Inspiser jekkens tilstand før bruk. Ikke bruk jekken hvis den er skadet, mangler deler eller hvis det lekker olje. I avsnitt 6.3 finnes en detaljert liste med inspeksjonspunkter.
- Smør pumpens leddforbindelse og vippebolter med smøreolje. Avsnitt 6.4 inneholder smørepunktene.
- Ta ut oljefyllings-/luftpluggen og sjekk oljestanden. I avsnitt 6.1 finner du spesifikasjoner og mer informasjon.
- Bruk den rektangulære enden av pumpehåndtaket og drei avlastningsventilens spindel mot klokken for å åpne ventilen (ikke mer enn to omdreininger). Se Fig. 3.
- Sett pumpehåndtaket i håndtaksfestet. Pump håndtaket 6 til 8 ganger. Dette vil hjelpe til å smøre pumpens indre deler før løftingen.

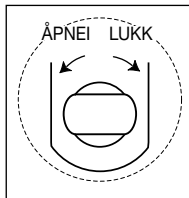


Fig. 3 - Utløsningsventil

Merk: Hvis pressen hever seg feilaktig eller hvis pumping med last gir en svampaktig følelse, må du gjennomføre prosedyren for utlufting. Se avsnitt 6.2.

5.2 Løfte lasten

- Bruk den rektangulære enden av pumpehåndtaket og drei på ventilspindelen til ventilen er helt lukket.



FORSIKTIG: Ikke bruk overdreven kraft når du lukker ventilen, det kan føre til skade.

- Plasser jekken under løftepunktet. I avsnitt 8.0 finner du opplysninger om transportering og posisjonering av jekken.
- Sett pumpehåndtaket i håndtaksfestet. Lengden og kvaliteten på håndtakssegmentene vil variere med jekkmødelene.

Merk: Modell GBJ-100 har to pumper. På denne jekkmødelen setter du pumpehåndtaket i festet på lavtrykkspumpen.

- Pump med pumpehåndtaket til salen får solid kontakt med lasten. På modeller utstyrt med en forlengerskrue, justerer du skruehøyden etter behov. Påse at lasten er vinkelrett på senteret av jekksalen.



ADVARSEL: Under løftet må lastens helling ikke overskride 6 grader. Se Fig. 4.

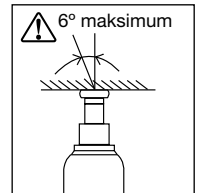


Fig. 4 - Hellende last

5. Fortsett å pumpe med pumpehåndtaket etter behov for å heve lasten til ønsket høyde.
6. Kun modell GBJ-100: Etter at lasten er delvis hevet og det blir tydelig tyngre å pumpe, flytter du pumpehåndtaket til høytrykkspumpen. Fortsett å pumpe til lasten er hevet til ønsket høyde.



ADVARSEL: Modell GBJ-100 er utstyrt med en trykkmåler som er kalibrert til å indikere omtrentlig vekt på lasten som heves. STOPP pumpingen øyeblikkelig hvis måleren viser over 100 metriske tonn [980 kN]. Jekken er ikke konstruert for å løfte laster på over 100 tonn.

7. Umiddelbart etter at løftingen er ferdig, må du understøtte lasten med bukker med tilstrekkelig kapasitet.

5.3 Senke lasten

1. Pump pumpehåndtaket en eller to ganger slik at lasten heves over understøttingen. Fjern understøttingen fra under lasten.



ADVARSEL: Drei utløsningsventilen sakte i følgende trinn. Hvis utløsningsventilen åpnes for raskt, kan objektet som senkes falle brått. Dette kan gjøre at jekken sklir ut fra under lasten. Dette kan føre til alvorlig skade og/eller skade på utstyret.



FORSIKTIG: Unngå brå belastning som kan oppstå ved rask åpning og lukking av utløsningsventilen når du senker lasten. Brå belastning kan overbelaste jekkens hydrauliske krets, og kan skade jekken.

2. Bruk den rektangulære enden av pumpehåndtaket og drei avlastningsventilens spindel sakte mot klokken for å åpne ventilen og trekke inn pressen (ikke mer enn to omdreininger). La pressen fortsette å trekkes inn til lasten er senket helt ned.
3. Fjern jekken fra løfteområdet.
4. Trykk ned på pressen for at den skal returnere til helt inntrukket stilling. Skru forlengerskruen (utstyrsbetning) helt ned slik at gjengene er fullstendig borte og beskyttet mot skade.

5.4 Horisontal bruk

(alle modeller bortsett fra GBJ-100)

Når jekken brukes horisontalt, må den orienteres slik at pumpen vender ned – nærmest underlaget. Jekken vil ikke virke riktig hvis pumpen vender oppover. Se Fig. 5 for horisontale arbeidsstillinger.



ADVARSEL: Støtt opp jekken under horisontal bruk, for at den ikke skal falle.



ADVARSEL: Jekkens kapasitet er 50 % eller mindre av nominell kapasitet når den brukes horisontalt. Vær forsiktig så jekken ikke overbelastes når den brukes horisontalt.



ADVARSEL: Bruk alltid understøtting med tilstrekkelig kapasitet til å holde objekter som skyves fra hverandre og/eller som står i spenn. Plasser aldri hender, føtter eller kroppen mellom objekter som understøttes kun av jekken.

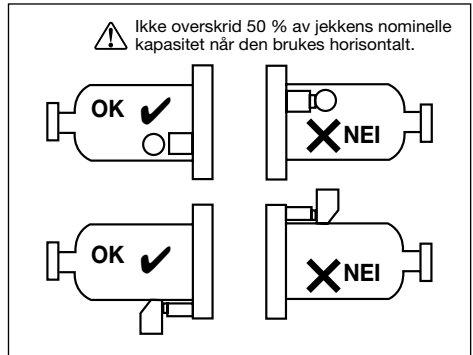


Fig. 5 - Horisontal bruk (alle modeller bortsett fra GBJ-100)

Merk: Modell GBJ-100 bør ikke brukes i horisontal stilling.

6.0 VEDLIKEHOLD

6.1 Fylle på hydraulikkolje

Hvis oljestanden er lav, etterfyller du olje som forklart i følgende trinn. Vær forsiktig så det ikke kommer til urenheter under påfyllingen.

1. Med pressen helt tilbaketrukket, setter du jekken i stående stilling. Påse at underlaget under jekken er jevnt.
2. Ta ut oljefyllings-/luftepuggen. På alle jekker bortsett fra modell GBJ-100, sitter pluggen på siden av sylindrehuset. På modell GBJ-100 sitter pluggen på toppen av sylindrehuset.

VIKTIG: Bruk kun Enerpac HF hydraulikkolje (ISO-grad 32) fra en ren beholder.



ADVARSEL: : Bruk av motorolje, bremsevæske, alkohol, glyserin, vegetabilsk olje eller andre ikke-godkjente væsker vil skade jekken og kan føre til at verktøyet svikter. Dette kan føre til personskade og/eller skade på eiendom.

3. Alle modeller bortsett fra GBJ-100: Fyll på til oljestanden er omtrent jevnt med den nedre kanten på påfyllingshullet. Se Fig. 6.
4. Kun modell GBJ-100: Fyll på til oljestanden er ca. 75 mm [3"] under påfyllingshullet. Se Fig. 7.

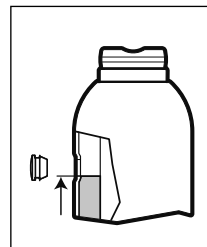


Fig. 6 - Oljestand, alle modeller bortsett fra GBJ-100

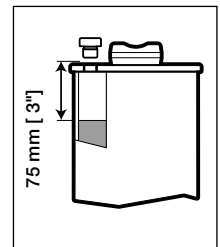


Fig. 7 - Oljestand, kun modell GBJ-100



FORSIKTIG: IKKE FYLL PÅ FOR MYE! Med pressen helt inntrukket og jekken i oppreist stilling skal oljestanden ikke være høyere enn vist i Fig. 6 eller Fig. 7 (etter hvilken jekkmøddell du har).

5. Sett på plass oljefyllings-/lufttepluggen.
6. Luft ut som beskrevet i avsnitt 6.2.

6.2 Utlufting

Følgende prosedyre må brukes etter påfylling av olje og hver gang jekken gir en svampaktig følelse.

Slik fjerner du luft fra jekken:

1. Bruk den rektangulære enden av pumpehåndtaket og dreii utløsningsventilens spindel mot klokken for å åpne ventilen (ikke mer enn to omdreininger).
2. Sett pumpehåndtaket i håndtaksfestet. Pump håndtaket 6 til 8 ganger.
3. Bruk den rektangulære enden av pumpehåndtaket og dreii på ventilspindelen til utløsningsventilen er helt lukket.
4. Sett pumpehåndtaket i håndtaksfestet. Pump med håndtaket til pressen er helt ute.
5. Pump med håndtaket ytterligere 5-6 ganger.
6. Bruk den rektangulære enden av pumpehåndtaket og dreii utløsningsventilens spindel mot klokken for å åpne ventilen (ikke mer enn to omdreininger).
7. Skyv pressen helt ned til den er fullstendig inntrukket.
8. Bruk den rektangulære enden av pumpehåndtaket og dreii på ventilspindelen til utløsningsventilen er helt lukket. Ikke trekk til for mye.
9. Alle modeller bortsett fra GBJ-100: Bruk fingrene og skyv oljefyllings-/lufttepluggen av gummi til side for å slippe ut innestengt luft.
10. Kun modell GBJ-100: Løsne oljefyllings-/lufttepluggen 1-2 omdreininger for å slippe ut innestengt luft. Trekk til pluggen etter at luften er sluppet ut.

6.3 Inspeksjon

Inspiser jekken visuelt før hver gangs bruk. Ta jekken ut av bruk øyeblikkelig og sørg for å korrigerer dersom følgende problemer oppdages:

- a. Sprekker eller skade på huset.
- b. Overdreven slitasje, bøyning eller annen skade.
- c. Hydraulikkoljelekkasje.
- d. Merket eller skadet stempelstang (presse).
- e. Funksjonsfeil på forlengerskruen.
- f. Løse festemidler.
- g. Modifisert eller endret utstyr.



ADVARSEL: Hvis jekken virker skadet på noen måte og/eller viser tegn på funksjonsfeil, må den øyeblikkelig tas ut av bruk. Jekken må ikke tas i bruk igjen før den har blitt inspisert og reparert ved et autorisert Enerpac servicesenter eller annet kvalifisert hydraulikkverksted.

6.4 Periodisk vedlikehold

Smør alle vippebolter og leddforbindelser grundig med smøreolje før du bruker jekken første gang og etter hver 10. gang pressen har gått opp og ned. Se Fig. 8.

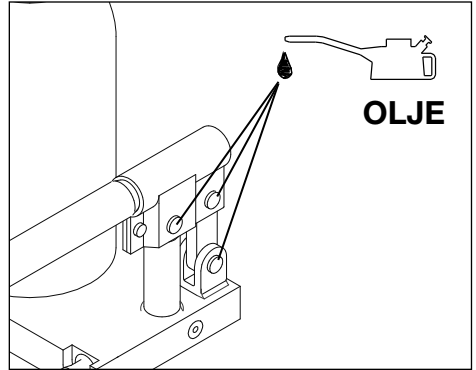


Fig. 8 - Smøring

Sjekk pressen jevnlig for tegn på korrosjon. Rengjør etter behov og tørk med en oljefuktet klut.

7.0 OPPBEVARING

Før jekken oppbevares:

- Skyv pressen helt ned slik at den er helt inntrukket og beskyttet mot skade og korrosjon.
- Sørg for at forlengerskruen (utstyrsbetinget) skrues helt ned slik at gjengene er fullstendig borte og beskyttet mot skade.
- Tørk bort alle urenheter og olje.
- Påse at utløsningsventilen er helt lukket.

Oppbevar alltid jekken i oppreist stilling på et beskyttet sted der den ikke vil bli utsatt for korroderende damp, skurende støv eller andre skadelige elementer.

8.0 TRANSPORTERE OG POSISJONERE JEKKEN

- Modeller GBJ-002 t.o.m. GBJ-050: Disse modellene kan transporteres og posisjoneres for hånd, uten bruk av ytterligere løfteutstyr. Det er montert et praktisk løftehåndtak på modellene GBJ-020, GBJ-020S, GBJ-030 og GBJ-050.
- Modell GBJ-100: Denne modellen må transporteres og posisjoneres med bruk av vinsj eller annet løfteutstyr med tilstrekkelig kapasitet. Fest løfteanordningens krok til jekkens løftehåndtak.

Merk: Modeller GBJ-020 t.o.m. GBJ-100: Se Fig. 2 for plassering av jekkens løftehåndtak (del nr. 11).

9.0 INSTALLASJON AV TRYKKMÅLER (KUN GBJ-100)

Det brukes en trykkmåler kun på modell GBJ-100. Måleren sendes løst og må installeres før jekken brukes. Se Fig. 9.

Installer måleren som beskrevet i følgende trinn:

1. Påse at pressen er helt trukket inn og at det ikke er noen last på salen.
2. Bruk en 17 mm fastnøkkel til å skru transportpluggen (A) ut av målerporten.
3. Påse at o-ringen (B) sitter helt inne i den gjengede åpningen.
4. Plasser måleren (C) over porten med tallskiven vendt utover mot brukeren.
5. Hold godt fast i målerhuset slik at det ikke beveger seg, og skru målersvivele inn i åpningen. Stram til for hånd med en 22 mm fastnøkkel.

VIKTIG: For å unngå skade på o-ringen må du ikke bruke noen nøkkelforlenger når du installerer måleren.

10.0 FEILSØKING

I feilsøkingstabellen finner du en liste over de vanligste symptomene til en flaskejekk, samt mulige årsaker og løsninger.

For reparasjoner bes du kontakte ditt lokale, autoriserte Enerpac servicesenter. Inspeksjon og reparasjon bør kun utføres ved et autorisert Enerpac servicesenter eller hos et annet kvalifisert hydraulikkverksted.

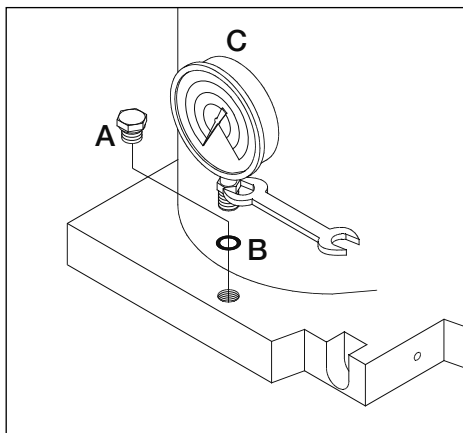


Fig. 9 – Installasjon av måler (kun GBJ-100)

FEILSØKINGSTABELL		
SYMPTOM	MULIG ÅRSAK	LØSNING
1. Ujevn funksjon.	Luft i systemet.	Luft ut enheten. Se avsnitt 6.2 for instruksjoner om lufting.
	Hydraulikkoljen for seigtflytende.	Tapp av all gammel olje fra tanken. Fyll tanken til korrekt nivå med Enerpac type HF hydraulikkolje (ISO-grad 32). Se avsnitt 6.1. VIKTIG: Kast brukt olje i samsvar med gjeldende lover og forskrifter.
	Pressen kiles fast.	Fjern alle urenheter og klebrige rester fra jekken. Påse at jekken ikke er skjev under last.
	Slitt pakning og/eller indre skade.	Få jekken inspisert og reparert av et autorisert Enerpac servicesenter.
2. Pressen føres ikke frem.	Utløsningsventilen er åpen.	Lukk utløsningsventilen.
	Lav oljestand.	Fyll tanken til korrekt nivå med Enerpac type HF hydraulikkolje (ISO-grad 32). Se avsnitt 6.1.
	Jekkens hydraulikkrets er luftlåst.	Luft ut enheten. Se avsnitt 6.2 for instruksjoner om lufting.
	Lasten er tyngre enn jekkens kapasitet.	Bruk en jekk med større kapasitet, med passende lastekapasitet.

FEILSØKINGSTABELL (fortsatt)		
SYMPTOM	POSSIBLE CAUSE	SOLUTION
3. Pressen føres bare delvis frem.	Lav oljestand.	Fyll tanken til korrekt nivå med Enerpac type HF hydraulikkolje (ISO-grad 32). Se avsnitt 6.1.
	Pressen sitter fast.	Fjern alle urenheter og klebrige rester fra jekken. Påse at jekken ikke er skjev under last.
4. Pressen føres svært sakte frem.	Pumpen er slitt eller skadet.	Få jekken inspisert og reparert av et autorisert Enerpac servicesenter.
	Slitt pakning og/eller indre skade.	Få jekken inspisert og reparert av et autorisert Enerpac servicesenter.
5. Pressen føres frem, men holder ikke trykket.	Tilbakeslagsventilen virker ikke.	Få jekken inspisert og reparert av et autorisert Enerpac servicesenter.
6. Synlig oljelekkasje på jekkhuset og/eller komponentene.	Slitt pakning og/eller indre skade.	Få jekken inspisert og reparert av et autorisert Enerpac servicesenter. Merk: En liten mengde restolje på overflaten til pressen er vanlig under rutinemessig bruk av jekken.
7. Pressen trekkes ikke inn, eller trekkes bare delvis inn.	Utløsningsventilen er lukket.	Åpne utløsningsventilen.
	Tanken overfylt.	Tapp ned oljen til korrekt nivå. Se avsnitt 6.1.
	Bruk en jekk med større kapasitet, med passende lastekapasitet.	Få jekken inspisert og reparert av et autorisert Enerpac servicesenter.

L4000 Rev. C 04/13

1.0 BESKRIVNING

Enerpacs serie GBJ hydrauliska domkrafter är konstruerade för att lyfta laster. Dessa produkter uppfyller American National Standard specifikationerna ANSI/ASME PALD 2009 och ASME B30.1-2009.



Läs instruktioner och säkerhetsföreskrifter noggrant innan du försöker att sätta ihop,

köra eller underhålla domkraften. Underlåtenhet att följa instruktioner kan resultera i personskador och/eller egendomsskador. Behåll bruksanvisningen för referens.

Reservdelsblad för denna produkt finns tillgängliga på Enerpacs webbplats, www.enerpac.com, eller hos ditt närmaste auktoriserade Enerpac servicecenter eller Enerpac försäljningskontor.

2.0 SÄKERHETSINFORMATION FÖR DOMKRAFTEN

2.1 Varningar

Följande varningar används i denna bruksanvisning:

FARA! Anger omedelbar fara för användaren. Underlåtenhet att iaktta försiktighetsåtgärder kan leda till allvarig personskada eller dödsfall.

WARNING! Underlåtenhet att iaktta försiktighetsåtgärder kan leda till personskada eller dödsfall.

VAR FÖRSIKTIG! Underlåtenhet att iaktta försiktighetsåtgärder kan leda till personskada och/eller skada på domkraften.

Läs alltid och förstå alla varningar innan du kör domkraften eller reparerar den.

2.2 Allmänna säkerhetsåtgärder för domkraften



FARA! Underlåtenhet att ta hänsyn till följande säkerhetsåtgärder och instruktioner kan resultera i allvarig personskada eller dödsfall samt att lasten kan tappas. Skador på egendom och/eller skada på domkraften kan också förekomma.

Se fig. 1.

① Läs och förstå alla instruktioner och säkerhetsåtgärder i denna bruksanvisning innan du använder domkraften.

② Domkraften är endast avsedd för lyft. Stöd lasten omedelbart efter lyft med lämpligt märkta ställningar eller motsvarande stödblock. Använd aldrig domkraften för att stödja lasten i upplyft läge när lyftet är klart.

③ Använd domkraften endast på en hård, vågrät yta som kan bära lasten. Om den används på en sluttning eller mjuk mark kan domkraften luta, sadeln kan glida och allvarlig skada från fallande föremål kan inträffa.

④ Arbeta inte under en last som stöds av hydraulik. Placera aldrig armen, benet eller kroppen under en last som stöds av bara domkraften. Att arbeta under fordon och andra tunga föremål med domkraften i höjt läge är strängt förbjudet. Allvarlig personskada eller död kan inträffa om domkraften plötsligt sänks eller glider ut från under lasten.

⑤ Försäkra dig om att lyftpunkten är stabil och att lasten är centrerad på domkraftens sadel.

⑥ raften på pumphandtaget får inte överstiga maximum för den domkraftmodell som används. Se tabell i Avsnitt 4.0.

⑦ Håll domkraften borta från brand och hetta. Svetsa inte på eller modifiera domkraften.

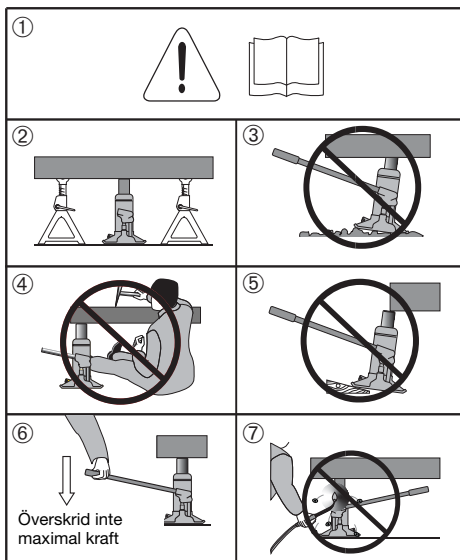


Fig. 1 - Säkerhetsåtgärder

2.3 Ytterligare säkerhetsåtgärder för domkraften

1. Överbelasta inte domkraften. Lasten får inte överstiga domkraftens nominella kapacitet.
2. Lyft inte lasten högre än nödvändigt.
3. Placera inte föremål under lasten som lyfts av domkraften.
4. Applicera inte kraft på något föremål som lyfts av domkraften.
5. Ta bort pumphandtaget från handtagets hylsa när domkraften inte används. Använd endast det pumphandtag som medföljer domkraften eller en exakt ersättning med samma specifikationer.
6. Ta inte bort domkraftens oljepåfyllnings-/avluftningsplugg av någon anledning annat än om domkraften är helt nedsänkt.

7. Försök aldrig att serva, reparera eller justera domkraften när den stöder en last.
8. Använd domkraften endast i temperaturer från -20 till +70 °C [-4 till 158 °F].
9. Tillåt endast utbildade och kvalificerade hydrauliska specialister att inspektera och reparera domkraften. Använd endast Enerpac originaldelar och Enerpac HF-serie hydraulolja.

3.0 MOTTAGNINGSinSTRUKTIONER

Kontrollera att inga komponenter skadats under transport. Transportskador täcks inte av garantin. Om du upptäcker transportskador ska du genast meddela transportföretaget. Transportföretaget är ansvarigt för alla reparations- och utbyteskostnader som härrör sig från skada under transporten.

4.0 SPECIFIKATIONER


Modell	◆ Kapacitet tons [kN]	Max. slaglängd tum [mm]	Min. Höjd tum [mm]	Max. Höjd tum [mm]	Max. Pump handtagskraft lb [kgf]	Förlängn. skruv höjd tum [mm]	Nettovikt kg [lb]	Bottenyta tum [mm]
GBJ-002	2 [19.6]	3.94 [100]	6.30 [160]	12.20 [310]	88.2 [40]	1.97 [50]	7.9 [3.6]	3.74 x 4.37 [95 x 111]
GBJ-002L	2 [19.6]	18.11 [460]	22.44 [570]	40.55 [1030]	88.2 [40]	*	13.2 [6.0]	127 x 127 [5.00 x 5.00]
GBJ-003	3 [29.4]	4.13 [105]	6.61 [168]	13.31 [338]	103.6 [47]	2.56 [65]	9.0 [4.1]	3.74 x 4.57 [95 x 116]
GBJ-005	5 [49]	5.91 [150]	8.35 [212]	17.20 [437]	110.2 [50]	2.95 [75]	11.0 [5.0]	3.74 x 4.84 [95 x 123]
GBJ-008	8 [78.4]	5.91 [150]	8.62 [219]	17.48 [444]	88.2 [40]	2.95 [75]	13.0 [5.9]	3.74 x 5.43 [95 x 138]
GBJ-010	10 [98]	5.91 [150]	8.62 [219]	17.48 [444]	88.2 [40]	2.95 [75]	14.3 [6.5]	3.74 x 5.59 [95 x 142]
GBJ-010S	10 [98]	2.44 [62]	5.16 [131]	8.78 [223]	88.2 [40]	1.18 [30]	12.1 [5.5]	3.74 x 5.59 [95 x 142]
GBJ-015	15 [147]	5.91 [150]	8.98 [228]	17.83 [453]	88.2 [40]	2.95 [75]	19.8 [9.0]	4.41 x 6.42 [112 x 163]
GBJ-020	20 [196]	5.91 [150]	9.21 [234]	18.07 [459]	88.2 [40]	2.95 [75]	26.7 [12.1]	5.00 x 6.73 [127 x 171]
GBJ-020S	20 [196]	4.13 [105]	7.48 [190]	13.78 [350]	88.2 [40]	2.17 [55]	22.0 [10.0]	5.00 x 6.73 [127 x 171]
GBJ-030	30 [294]	5.91 [150]	9.53 [242]	18.39 [467]	88.2 [40]	2.95 [75]	34.2 [15.5]	5.59 x 7.72 [142 x 196]
GBJ-050	50 [490]	5.91 [150]	9.92 [252]	15.83 [402]	88.2 [40]	*	62.8 [28.5]	7.09 x 9.06 [180 x 230]
GBJ-100	100 [980]	5.91 [150]	11.81 [300]	17.72 [450]	66.1 [30]	*	191.8 [87.0]	11.65 x 13.11 [296 x 333]

Observera:

◆ Kapacitet som visas i ton är nominella, värden i KN är faktiska.

* Domkraftmodellen är inte utrustad med förlängningsskruv.

Visade mått är ungefärliga. Alla produktspecifikationer kan ändras utan föregående meddelande.

 Detta verktyg uppfyller kraven för CE-märkning.

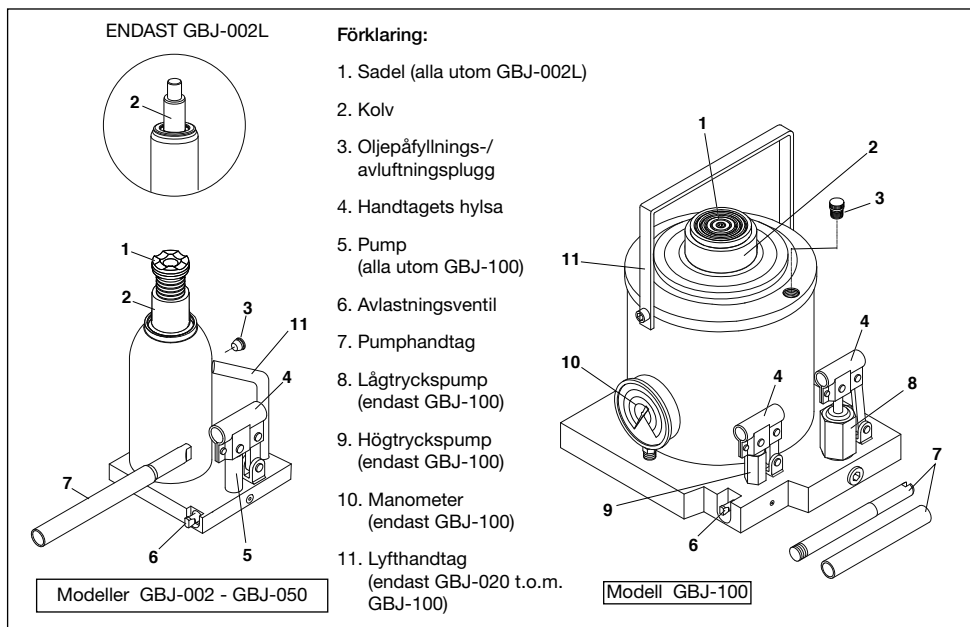


Fig. 2 - Funktioner och komponenter

5.0 ANVÄNDNING

5.1 Innan du använder domkraften

1. Inspektera domkraftens tillstånd innan du använder den. Använd inte domkraften om den är skadad, saknar delar eller om den läcker olja. Se Avsnitt 6.3 för en detaljerad lista över poster att inspektera.
2. Smörj pumpens länkar och svängtappar med smörjolja. Se Avsnitt 6.4 beträffande smörjpunkter.
3. Ta bort oljepåfyllnings-/avluftningspluggen och kontrollera oljenivån. Se avsnitt 6.1 för information om oljespecifikationer och mera.
4. Med den rektangulära änden av pumphandtaget, vrid säkerhetsventilens spindel motsols för att öppna ventilen (vrid inte mer än två varv). Se fig. 3.
5. Stick in pumphandtaget i handtagets hylsa. Pumpa med handtaget 6 till 8 slag. Detta hjälper till att smörja pumpens inre delar före lyftet.

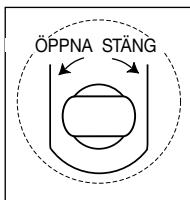


Fig. 3 - Release Valve

Obs! Om kolven stiger oregelbundet eller om det känns svampigt när man pumpar under belastning, utför avluftning. Se Avsnitt 6.2.

5.2 Lyfta lasten

1. Med den rektangulära änden av pumphandtaget, vrid säkerhetsventilens spindel medurs tills ventilen är helt stängd.



VAR FÖRSIKTIG! För att undvika skador, använd inte överdriven kraft när du stänger ventilen.

2. Placera domkraften under rätt lyftpunkt. Se Avsnitt 8.0 för information om transport och placering av domkraften.
3. Stick in pumphandtaget i handtagets hylsa. Längd och antal handtagsegment varierar beroende på domkraftmodell.

Obs! Modell GBJ-100 har två pumpar. För denna domkraftmodell ska du sticka in pumphandtaget i hylsan på lågtryckspumpen.

4. Pumpa med handtaget tills sadeln får ordentlig kontakt med lasten. På modeller som är utrustade med en förlängningsskruv, justera skruvens höjd efter behov. Se till att lasten är vinkelrät mot mitten på domkraftens sadel.



WARNING! Under lyft får belastningens lutning inte överstiga 6 grader. Se fig. 4.

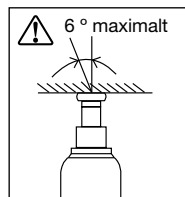


Fig. 4 - Lutande belastning

5. Fortsätt att pumpa efter behov om du vill höja lasten till önskad höjd.

6. Endast modell GBJ-100: När lasten har höjts delvis och pumpkraften ökar märkbart ska du flytta pumphandtaget till högtryckspumpen. Fortsätt att pumpa till lasten når önskad höjd.



WARNING! Modell GBJ-100 är utrustad med en manometer som är kalibrerad för att visa ungefär hur mycket vikt som lyfts. SLUTA pumpa omedelbart om manometerns avläsning överstiger 100 ton [980 kN]. Domkraften är inte gjord för att lyfta laster som överstiger 100 ton.

6. Omedelbart efter att lyftet är klart, stöd lasten med domkraftstöd som är märkta för vikten.

5.3 Sänka lasten

1. Pumpa med handtaget ett eller två tag så att lasten lyfts från domkraftstöden. Ta bort domkraftstöden från under lasten.



WARNING! Vrid avlastningsventilen långsamt i följande steg. Om avlastningsventilen öppnas för snabbt, kan föremålet som sänks sjunka plötsligt, vilket kan medföra att domkraften skjuts ut underifrån lasten. Allvarlig personskada och/eller skada på egendom kan bli följden.



VAR FÖRSIKTIG! Undvik "stötbelastningar" som skapas genom att snabbt öppna och stänga avlastningsventilen när lasten sänks. Stötbelastningar kan överbelasta domkraftens hydrauliska krets och skada domkraften.

2. Med den rektangulära änden av pumphandtaget, vrid avlastningsventilens spindel motsols tills ventilen öppnas och kolven börjar dras tillbaka (vrid inte mer än två varv). Låt kolven fortsätta att dras tillbaka tills lasten är helt nedsänkt.

3. Ta bort domkraften från lyftområdet.

4. Tryck nedåt på kolven så att den återgår till det helt tillbakadragna läget. Skruva förlängningsskruven (om domkraften har en) hela vägen ned så att gängorna är helt inne och skyddas mot skada.

5.4 Horisontell drift (alla modeller utom GBJ-100)

När den används horisontellt måste domkraften vara orienterad så att pumpen är placerad nedåt - närmast marken. Domkraften fungerar inte korrekt om pumpen placeras uppåt. Se fig. 5 beträffande horisontell placering av pumpen.



WARNING! Stöd domkraften vid horisontell användning så att den inte tappas.



WARNING! Domkraftens kapacitet är 50 procent eller mindre än normalt när den används horisontellt. Var noga med att domkraften inte blir överbelastad vid horisontell användning.



WARNING! Använd alltid tillräckligt starka block och/eller stöd för att hålla objekt som har drivits isär och/eller som spända. Placera aldrig dina händer, fötter eller din kropp mellan föremål som stöds endast av domkraften.

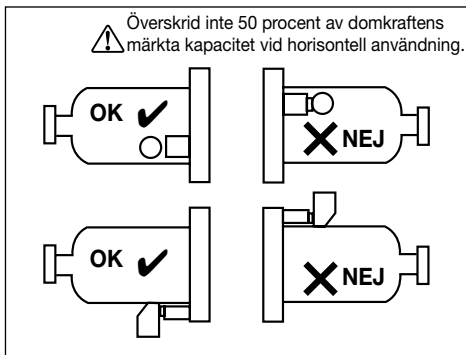


Fig. 5 - Horizontal Operation (all models exc. GBJ-100)

Obs! Modell GBJ-100 ska inte användas i horisontellt läge.

6.0 UNDERHÅLL

6.1 Fylla på hydraulolja

Om oljenivån är låg, fyll på ytterligare olja enligt följande steg. Var noga med att undvika att få in smuts vid påfyllning.

1. Med kolven helt tillbakadragen, ställ domkraften i upprätt läge. Se till att ytan under domkraften är vågrätt.

2. Ta bort oljepåfyllnings-/avlufningspluggen. På alla domkrafter utom Modell GBJ-100 är pluggen placerad på sidan av cylinderhuset. Endast på modell GBJ-100 är pluggen placerad ovanpå cylinderhuset.

VIKTIGT! Använd endast Enerpac HF serie hydraulolja (ISO 32) som du håller ur en ren behållare.



WARNING! Användning av motorolja, bromsvätska, alkohol, glycerin, vegetabilisk olja eller andra icke godkända vätskor skadar domkraften, vilket kan resultera i haveri eller fel på enheten. Personskador och/eller skada på egendom kan bli följden.

3. Alla modeller utom GBJ-100: Fyll tills oljenivån är ungefär jämn med nedre kanten av oljepåfyllningshålet. Se fig. 6.

4. Endast modell GBJ-100: Fyll tills oljenivån är ungefär 75 mm [3 tum] under oljepåfyllningshålet. Se fig. 7.

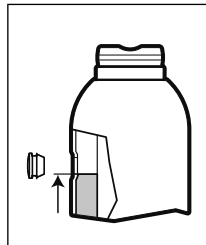


Fig. 6 - Oljenivå,
Alla modeller utom
GBJ-100

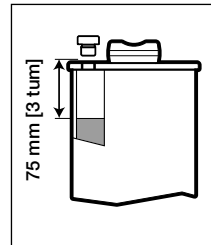


Fig. 7 - Oljenivå,
Endast modell GBJ-100



VAR FÖRSIKTIG! FYLL INTE PÅ FÖR MYCKET!

Med kolven helt tillbakadragen och domkraften i upprätt läge ska oljenivån inte vara högre än vad som visas i Fig. 6 eller Fig. 7 (beroende på domkraftmodellen).

5. Sätt tillbaka oljepåfyllnings-/avlufningspluggen.
6. Avlufta enligt Avsnitt 6.2.

6.2 Avluftning

Följande förfarande bör utföras när du har fyllt på olja och när en "svampig" känsla märks när du använder domkraften.

Gör så här för att ta bort luft ur domkraften:

1. Med den rektangulära änden av pumphandtaget, vrid avlastningsventilens spindel motsols för att öppna ventilen (vrid inte mer än två varv).
2. Tick in pumphandtaget i handtagets hylsa. Pumpa med handtaget 6 till 8 slag.
3. Med den rektangulära änden av pumphandtaget, vrid avlastningsventilens spindel medurs tills ventilen är helt stängd.
4. Stick in pumphandtaget i handtagets hylsa. Pumpa med handtaget tills kolven är helt utskjuten.
5. Pumpa med handtaget ytterligare 5 till 6 tag.
6. Med den rektangulära änden av pumphandtaget, vrid avlastningsventilens spindel motsols för att öppna ventilen (vrid inte mer än två varv).
7. Tryck kolven ända ned tills den är helt tillbakadragen.
8. Med den rektangulära änden av pumphandtaget, vrid avlastningsventilens spindel medurs tills ventilen är helt stängd. Dra inte åt för hårt!
9. Alla modeller utom GBJ-100: Använd fingrarna till att trycka oljepåfyllnings-/avlufningspluggen av gummi åt sidan så att du släpper ut eventuell instängd luft.
10. Endast modell GBJ-100: Lossa oljepåfyllnings-/avlufningspluggen ett till två varv så att du släpper ut eventuell instängd luft. Dra åt pluggen när du har släppt ut luften.

6.3 Inspektion

Inspektera domkraften visuellt före varje användning. Ta domkraften ur bruk omedelbart och vidta korrigerande åtgärder om något av följande problem upptäcks:

- a. Sprucket eller skadat hölje.
- b. Överdrivet slitage, böjd eller annan skada.
- c. Hydraulisk vätska läcker.
- d. Repad eller skadad kolvstång.
- e. Felaktigt fungerande förlängningsskruv.
- f. Lösa beslag.
- g. Modifierad eller ändrad utrustning.



VARNING: Om domkraften tycks skadad på något sätt och/eller visar tecken på att inte fungera, måste den omedelbart tas ur drift. Domkraften måste förbli ur bruk tills den har inspekterats eller reparerats av ett auktoriserat Enerpac-servicecenter eller en annan kvalificerad hydraulisk serviceverkstad.

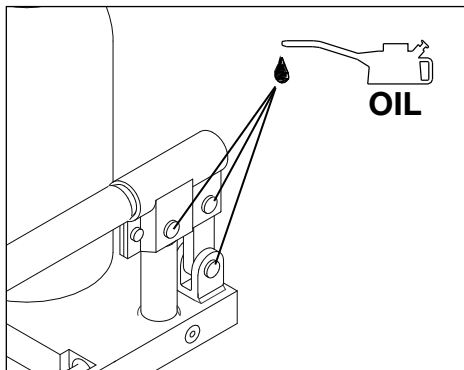


Fig. 8 - Smörjning

6.4 Regelbundet underhåll

Smörj alla svängtappar och länkar grundligt med smörjolja innan du använder domkraften och varje gång den har körts upp och ned 10 gånger. Se fig. 8.

Kontrollera kolven regelbundet för tecken på korrosion. Rengör efter behov och torka med en trasa som är genomdränkt med olja.

7.0 FÖRVARING

Innan du förvarar domkraften:

- Tryck kolven hela vägen ner, så att den är helt tillbakadragen och skyddad mot skador och korrosion.
- Se till att förlängningsskraven (om domkraften har en) är skruvad hela vägen ned så att gångorna skyddas mot skada.
- Torka av all smuts eller olja.
- Se till att avlastningsventilen är helt stängd.

Förvara alltid domkraften i upprätt läge, på en skyddad plats där den inte utsätts för frätande ångor, slipande damm eller andra skadliga element.

8.0 TRANSPORT OCH PLACERING AV DOMKRAFTEN

- Modeller GBJ-002 t.o.m. GBJ-050: Dessa modeller kan transporteras och placeras för hand, utan användning av något extra lyftverktyg. För ökad bekvämlighet finns ett lyftbandtag på modellerna GBJ-020, GBJ-020S, GBJ-030 och GBJ-050.
- Modell GBJ-100: Denna modell skall transporteras och placeras med hjälp av en kran eller annan extra lyftanordning med lämplig kapacitet. Fäst lyftanordningens krok i domkraftens lyftbandtag.

Obs! Modeller GBJ-020 t.o.m. GBJ-100: Se Fig. 2 beträffande placeringen av domkraftens lyftbandtag (artikel nr. 11).

9.0 INSTALLERA MANOMETER (ENDAST GBJ-100)

En manometer används endast på modell GBJ-100. Manometern levereras löst och måste installeras innan du använder domkraften. Se fig. 9.

Installera manometern enligt följande steg:

1. Säkerställ att kolven är helt tillbakadragen och att ingen last är placerad på sadeln.
2. Ta bort transportpluggen (A) från manometerporten med en 17 mm öppen nyckel.
3. Se till att O-ringen (B) sitter längst ned i den gängade porten.
4. Placera manometern (C) över porten med skalan utåt, mot användaren.
5. Med ett fast grepp om manometerhuset så att det inte rör sig, skruva in manometers svängbeslag i porten. Dra åt beslaget för hand med en 22 mm öppen nyckel.

VIKTIGT! Skydda O-ringen genom att inte använda någon förlängning på skiftnyckeln när du installerar manometern.

10.0 FELSÖKNING

Se felsökningstabellen beträffande vanliga domkraftsymtom, möjliga orsaker och lösningar.

För reparationservice kontaktar du ett auktoriserat Enerpac-servicecenter. Inspektion och reparation ska utföras endast av ett auktoriserat Enerpac-servicecenter eller en annan kvalificerad hydraulisk serviceverkstad.

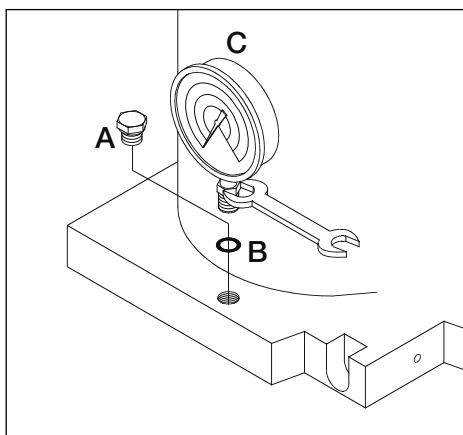


Fig. 9 - Installera manometer (endast GBJ-100)

FELSÖKNINGSTABELL		
SYM TOM	MÖJLIG ORSAK	LÖSNING
1. Ryckig funktion.	Luft i systemet.	Avlufta enheten. Se Avsnitt 6.2 för anvisningar om avluftning.
	Hydrauloljans viskositet är för hög.	Tappa ur all gammal olja från behållaren. Fyll behållaren till rätt nivå med Enerpac typ HF hydraulolja (ISO 32). Se Avsnitt 6.1. VIKTIGT! Bortskaffa använd olja i enlighet med lokala bestämmelser.
	Kolven hänger upp sig eller kärvar.	Ta bort all smuts och klubb från domkraften. Se till att domkraften inte är snedbelastad.
	Tätningar slitna och/eller intern skada.	Låt domkraften inspekteras och repareras av ett auktoriserat Enerpac-servicecenter.
2. Kolven skjuts inte ut.	Avlastningsventilen är öppen.	Stäng avlastningsventilen.
	Låg oljenivå.	Fyll behållaren till rätt nivå med Enerpac typ HF hydraulolja (ISO 32). Se Avsnitt 6.1.
	Domkraftens hydrauliska krets har ett luftlås.	Avlufta enheten. Se Avsnitt 6.2 för anvisningar om avluftning.
	Lasten är tyngre än domkraftens kapacitet.	Använd en domkraft med högre kapacitet och lämpliga märkdata.

FELSÖKNINGSTABELL (Forts.)		
SYMPTOM	MÖJLIG ORSAK	LÖSNING
3. Kolven skjuts ut endast delvis.	Låg oljenivå.	Fyll behållaren till rätt nivå med Enerpac typ HF hydraulolja (ISO 32). Se Avsnitt 6.1.
	Kolven kärvar.	Ta bort all smuts och klibb från domkraften. Se till att domkraften inte är snedbelastad.
4. Kolv rör sig framåt långsamt.	Pumpenheten är sliten eller skadad.	Låt domkraften inspekteras och repareras av ett auktoriserat Enerpac-servicecenter.
	Tätningar slitna och/eller intern skada.	Låt domkraften inspekteras och repareras av ett auktoriserat Enerpac-servicecenter.
5. Kolven rör sig framåt men håller inte trycket.	Backventil fungerar inte.	Låt domkraften inspekteras och repareras av ett auktoriserat Enerpac-servicecenter.
6. Synligt oljeläckage på domkraftens hus och/eller komponenter.	Tätningar slitna och/eller intern skada.	Låt domkraften inspekteras och repareras av ett auktoriserat Enerpac-servicecenter. Obs! En liten mängd olja på kolvens yta är normalt under rutinmässig användning av domkraften.
7. Kolven dras inte tillbaka eller dras tillbaka långsamt.	Avlastningsventilen är stängd.	Tappa ur olja till rätt nivå. Se Avsnitt 6.1.
	Behållaren överfull.	Tappa ur olja till rätt nivå. Se Avsnitt 6.1.
	Intern skada.	Låt domkraften inspekteras och repareras av ett auktoriserat Enerpac-servicecenter.

L4000 Rev. C 04/13

1.0 说明

Enerpac GBJ 系列立式液压千斤顶主要用于提升负载。这些产品符合美国国家标准规范 ANSI/ASME PALD 2009 和 ASME B30.1-2009。



尝试装配、操作或维护立式千斤顶前，请仔细阅读说明和安全信息。如果不遵守说明，可能会导致人身伤害和/或财产损失。请保留说明，以供参考。

本产品的维修零件表可从 Enerpac 网站 www.enerpac.com 上获得，或者从离您最近的 Enerpac 授权服务中心或 Enerpac 销售办事处获得。

2.0 立式千斤顶安全信息

2.1 危险声明

安装手册中使用下列危险警示说明：

危险：指示用户随时可能遇到的危险。如果没有遵守预防措施，可能会导致严重的人身伤害或死亡。

警告：如果没有遵守预防措施，可能会导致人身伤害或死亡。

小心：如果没有遵守预防措施，可能会导致人身伤害和/或千斤顶损坏。

操作此千斤顶或进行维修前应阅读并了解所有危险声明。

2.2 一般立式千斤顶安全预防措施



危险：如果没有留意以下预防措施，可能会导致严重的人身伤害或死亡，并且可能导致负载损失。还可能造成财产损坏和/或千斤顶损坏。

见图 1。

- ① 使用千斤顶前，请阅读并了解本手册中的所有说明和安全预防措施。
- ② 此千斤顶仅为提升设备。提升后立即用具有相应额定值的支架或等同垫块支撑。提升完成后，不要用千斤顶支撑处于升起位置的负载。
- ③ 在能够承受负载的水平硬表面上使用千斤顶。如果在斜面或较软的地面上使用，则千斤顶可能会倾斜，鞍座可能会滑动，并且可能因物体掉落而导致严重伤害。
- ④ 不要在液压设备支撑的负载下工作。不要将您的胳膊、腿或身体放在仅由千斤顶支撑的负载下。严禁在使用千斤顶支撑的处于升起位置的车辆和其他重物下工作。如果千斤顶意外降低或从负载下方滑出来，则可能导致严重的人身伤害或死亡。
- ⑤ 确保使提升点保持稳定，以及使负载位于千斤顶鞍座的中心。
- ⑥ 泵手柄的作用力不得超过正在使用的千斤顶型号的最大允许值。见第 4.0 节中的表。
- ⑦ 使千斤顶远离火焰和高温。请勿焊接或修改千斤顶。

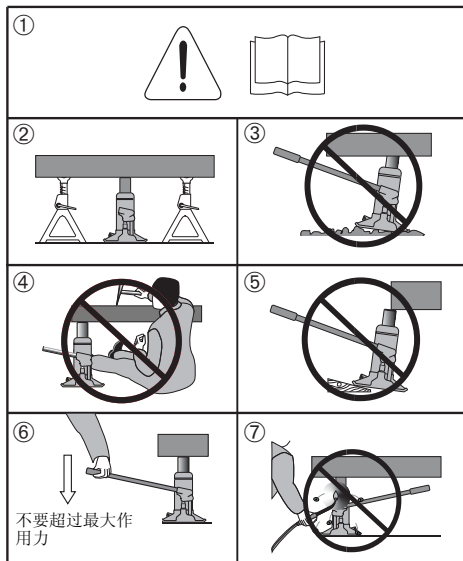


图 1 - 安全预防措施

2.3 其他立式千斤顶安全预防措施

1. 不要使千斤顶过载。负载不得超过千斤顶的额定承受能力。
2. 不要使负载提升高度超过必要高度。
3. 不要在正被千斤顶提升的负载下放置物体。
4. 不要对正被千斤顶提升的任何物体施力。
5. 不使用时将泵手柄从千斤顶上的手柄套筒中取出。仅使用千斤顶配带的泵手柄，或者具有相同规格的恰当替代泵手柄。
6. 除非千斤顶已被完全降低，否则不要因任何原因拔下充油塞/排气塞。

7. 不要在千斤顶正在支撑负载时尝试对其进行维护、维修或调节。
8. 仅在 -20 sim +70°C [-4 至 158°F] 的环境温度下使用千斤顶。
9. 仅允许受过培训的合格液压专业人员检查和维修千斤顶。仅使用正品 Enerpac 替换零件和 Enerpac HF 系列液压油。

3.0 验收说明

目视检查所有组件有无装运损坏。装运损坏不在保修范围之内。如果发现装运损坏，请立即通知承运人。承运人负责所有因装运损坏所导致的维修和更换费用。

4.0 规格


型号	◆ 承受能力 吨 [千牛]	最大行程 英寸 [毫米]	最低高度 英寸 [毫米]	最大高度 英寸 [毫米]	最大泵手柄力 磅 [千克]	调整螺杆 高度 英寸 [毫米]	净重 磅 [千克]	底面积 英寸 [毫米]
GBJ-002	2 [19.6]	100 [3.94]	160 [6.30]	310 [12.20]	40 [88.2]	50 [1.97]	3,6 [7.9]	95 x 111 [3.74 x 4.37]
GBJ-002L	2 [19.6]	460 [18.11]	570 [22.44]	1030 [40.55]	40 [88.2]	*	9,6 [21.1]	127 x 127 [5.00 x 5.00]
GBJ-003	3 [29.4]	105 [4.13]	168 [6.61]	338 [13.31]	47 [103.6]	65 [2.56]	4,1 [9.0]	95 x 116 [3.74 x 4.57]
GBJ-005	5 [49]	150 [5.91]	212 [8.35]	437 [17.20]	50 [110.2]	75 [2.95]	5,0 [11.0]	95 x 123 [3.74 x 4.84]
GBJ-008	8 [78.4]	150 [5.91]	219 [8.62]	444 [17.48]	40 [88.2]	75 [2.95]	5,9 [13.0]	95 x 138 [3.74 x 5.43]
GBJ-010	10 [98]	150 [5.91]	219 [8.62]	444 [17.48]	40 [88.2]	75 [2.95]	6,5 [14.3]	95 x 142 [3.74 x 5.59]
GBJ-010S	10 [98]	62 [2.44]	131 [5.16]	223 [8.78]	40 [88.2]	30 [1.18]	5,5 [12.1]	95 x 142 [3.74 x 5.59]
GBJ-015	15 [147]	150 [5.91]	228 [8.98]	453 [17.83]	40 [88.2]	75 [2.95]	9,0 [19.8]	112 x 163 [4.41 x 6.42]
GBJ-020	20 [196]	150 [5.91]	234 [9.21]	459 [18.07]	40 [88.2]	75 [2.95]	12,1 [26.7]	127 x 171 [5.00 x 6.73]
GBJ-020S	20 [196]	105 [4.13]	190 [7.48]	350 [13.78]	40 [88.2]	55 [2.17]	10,0 [22.0]	127 x 171 [5.00 x 6.73]
GBJ-030	30 [294]	150 [5.91]	242 [9.53]	467 [18.39]	40 [88.2]	75 [2.95]	15,5 [34.2]	142 x 196 [5.59 x 7.72]
GBJ-050	50 [490]	150 [5.91]	252 [9.92]	402 [15.83]	40 [88.2]	*	28,5 [62.8]	180 x 230 [7.09 x 9.06]
GBJ-100	100 [980]	150 [5.91]	300 [11.81]	450 [17.72]	30 [66.1]	*	87,0 [191.8]	296 x 333 [11.65 x 13.11]

注:

◆ 以吨为单位显示的承受能力为标称，以千牛为单位的值为实际值。

* 不配有调整螺杆的千斤顶型号。

所示尺寸为近似值。所有产品规格均可能改变，恕不另行通知。

 该工具符合 CE 标志的要求。

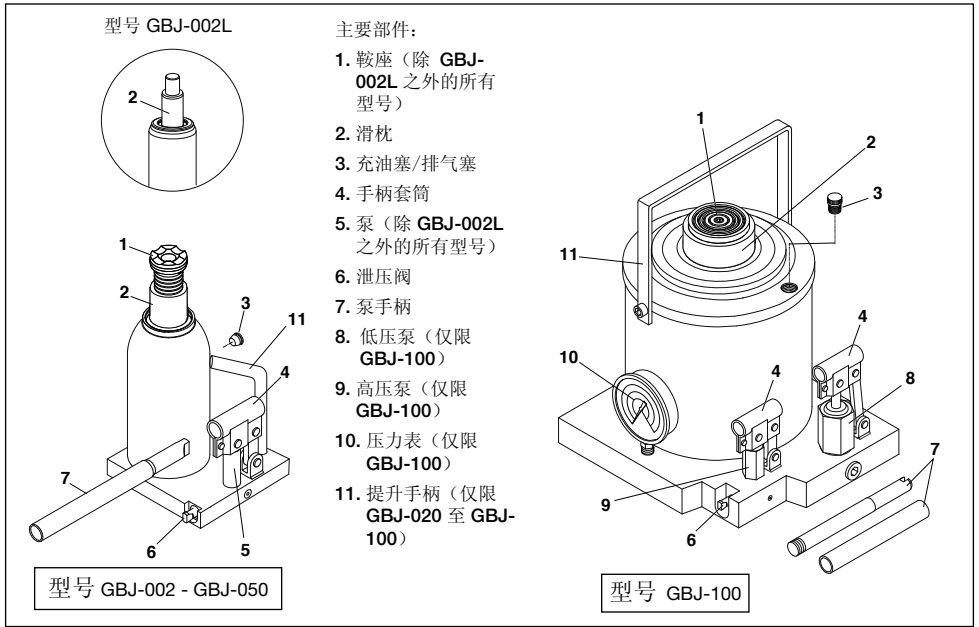


图 2 - 功能和组件

5.0 操作

5.1 使用千斤顶之前

1. 使用前检查千斤顶的情况。如果千斤顶损坏、零件缺失或漏油，则不要使用它。有关检查项的详细列表，请参阅第 6.3 节。

2. 使用润滑油润滑泵连杆和枢轴销。有关润滑点，请参阅第 6.4 节。

3. 卸下充油塞/排气塞，然后检查油位。有关油规格以及更多信息，请参阅第 6.1 节。

4. 使用泵手柄的矩形端，逆时针转动溢流阀杆，将阀打开（转动圈数不要超过两圈）。见图 3。

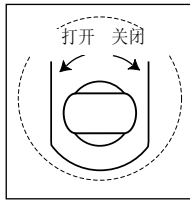


图 3 - 泄压阀操作

5. 将泵手柄插入手柄套筒中。操作手柄 6 至 8 个行程。这将有助于在提升前润滑泵的内部零件。

注：如果滑枕无规律地升起，或者在负载下进行泵压的同时有海绵感，则执行排气程序。请参阅第 6.2 节。

5.2 提升负载

1. 使用泵手柄的矩形端，顺时针转动溢流阀杆，直到阀完全关闭为止。



CAUTION: 小心：为防止损坏，关闭泄压阀时不要用力过猛。

2. 将千斤顶定位在正确的提升点下方。有关千斤顶搬运和定位信息，请参阅第 8.0 节。

3. 将泵手柄插入手柄套筒中。手柄段的长度和数量将因千斤顶型号而异。

注：型号 GBJ-100 具有两个泵。对于此千斤顶型号，将泵手柄插入低压泵上的套筒中。

4. 操作泵手柄，直至鞍座与负载接触紧密为止。在配有调整螺杆的型号上，必要时调节螺杆高度。确保负载与千斤顶鞍座的中心垂直。



警告：在提升过程中，负载的倾斜度不得超过 6 度。见图 4。

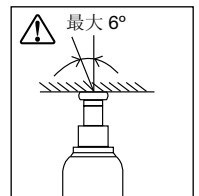


图 4 - 倾斜的负载

5.必要时继续操作泵手柄，以便将负载提升到所需高度。

6. 仅限型号 **GBJ-100**：在负载被部分提升并且泵压力明显增加后，将泵手柄移到高压泵。继续泵压，直至负载被提升到所需高度。



警告：型号 **GBJ-100** 配有已校准的压力表，可指示正被提升的近似重量。如果压力表读数超过 **100 公吨 [980 千牛]**，则立即“停止”泵压。此千斤顶不可提升超过 **100 公吨 (110 短吨)** 的负载。

提升完成后立即用具有相应重量额定值的千斤顶支架支撑负载。

5.3 降低负载

1. 操作泵手柄一或两个行程，以便使负载提升并与千斤顶支架分离。移开负载下方的千斤顶支架。



警告：在下一步中缓慢转动泄压阀。如果泄压阀打开过快，则正被降低的物体可能会突然降落，这可能会将千斤顶从负载下方挤压出来。如此可能会导致严重的人员伤害和/或财产损失



避免在正降低负载时因快速打开和关闭泄压阀而产生的“冲击荷载”。冲击荷载可能使千斤顶的液压管路过载并损坏千斤顶。小心：

2. 使用泵手柄的矩形端，逆时针缓慢转动泄压阀杆，直至将阀打开并且滑枕开始收缩为止（转动圈数不要超过两圈）。使滑枕继续收缩，直至负载完全降低为止。

3. 将千斤顶移出提升区域。

4. 向下按滑枕，使其回到完全收缩位置。一直向下转动调整螺杆（如果配有），以便使螺纹完全凹进去，从而防止受损。

5.4 水平操作（除 **GBJ-100** 之外的所有型号）

水平操作时，千斤顶的方向必须使泵向下放置 - 离地面最近。如果将泵向上放置，则千斤顶不会正确工作。有关水平操作位置，请参阅图 5。



警告：在水平操作过程中支撑千斤顶，以便使其不会跌落。



警告：水平操作时，千斤顶的承受能力为 **50%**，或者低于正常额定值。请小心谨慎，确保在水平操作过程中千斤顶没有超载。



警告：应使用额定值相应的垫块和/或支撑物，以便顶住已被推离和/或受张力作用的物体。不要将您的手、脚或身体放在仅由千斤顶支撑的物体之间。

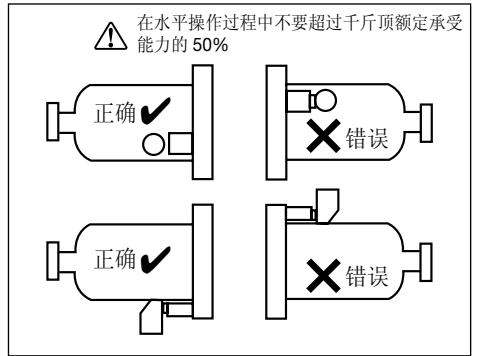


图 5 - 水平操作（除 **GBJ-100** 之外的所有型号）

注：不应在水平位置使用型号 **GBJ-100**。

6.0 维护

6.1 添加液压油

如果油位较低，请按以下步骤中所述的方式加油。在加油过程中请小心谨慎，避免灰尘进入。

1. 在滑枕完全收缩的情况下，将千斤顶固定在垂直位置。确保千斤顶下方表面水平。

2. 掉充油塞/排气塞。在除 **GBJ-100** 之外的所有千斤顶上，此塞位于油缸外壳一侧。仅在 **GBJ-100** 上，此塞位于油缸外壳顶部。

重要事项：仅使用从干净容器中倒入的 **Enerpac HF** 系列润滑油（ISO 32 级）。



警告：使用电机油、制动液、酒精、甘油、植物油或其他未认可的液体将损坏千斤顶，从而可能导致设备失效或故障。如此可能会导致人员伤亡和/或财产损失。

3. 除 **GBJ-100** 之外的所有型号：将油加注到油位与加油口的底部边缘大致齐平为止。见图 6。

4. 仅限型号 **GBJ-100**：将油加注到油位大约低于加油口 75 毫米 [3 英寸] 为止。见图 7。



图 6 - 油位，除 **GBJ-100** 之外的所有型号

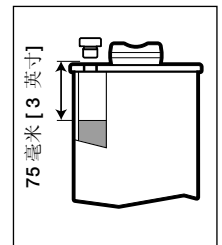


图 7 - 油位，仅限型号 **GBJ-100**



小心：不要过量加油！在滑枕完全收缩并且千斤顶位于垂直位置的情况下，油位不应高于如图 6 或图 7（在适用于您的千斤顶型号时）所示的位置。

5. 重新装上充油塞/排气塞。
6. 按照第 6.2 节所述排除空气。

6.2 空气排除

加油后，只要在千斤顶操作过程中注意到有“海绵”感，便应执行以下程序。

要排除千斤顶中的空气：

1. 使用泵手柄的矩形端，逆时针转动泄压阀杆，将阀打开（转动圈数不要超过两圈）。
2. 将泵手柄插入手柄套筒中。操作手柄 6 至 8 个行程。
3. 使用泵手柄的矩形端，顺时针转动泄压阀杆，直到阀完全关闭为止。
4. 将泵手柄插入手柄套筒中。操作手柄，直至滑枕完全伸出为止。
5. 再操作泵手柄 5 至 6 个行程。
6. 使用泵手柄的矩形端，逆时针转动泄压阀杆，将阀打开（转动圈数不要超过两圈）。
7. 一直向下推动滑枕，直至其完全收缩为止。
8. 使用泵手柄的矩形端，顺时针转动泄压阀杆，直到阀完全关闭为止。不要拧得太紧！
9. 除 GBJ-100 之外的所有型号：用手指将橡胶充油塞/排气塞推到侧面，释放滞留的所有空气。
10. 仅限型号 GBJ-100：将充油塞/排气塞松开 1 至 2 圈，释放滞留的所有空气。释放空气后将塞拧紧。

6.3 检查

每次使用前目视检查千斤顶。如果发现以下任何問題，则立即停止使用此千斤顶并采取纠正措施：

- a. 外壳开裂或破损。
- b. 过度磨损、弯曲或其他损坏。
- c. 液压油泄漏。
- d. 活塞杆（滑枕）有刮痕或受损。
- e. 调整螺杆未正确工作。
- f. 硬件松动。
- g. 设备已修改或改变。



警告：如果在任何方面千斤顶看似受损和/或表现出故障迹象，则必须立即停止使用此千斤顶。在未经 Enerpac 授权服务中心或其他合格液压服务机构检查并维修前，不得使用此千斤顶。

6.4 定期维护

使用千斤顶前以及滑枕每上/下运行 10 个来回后，使用润滑油彻底润滑所有枢轴销。见图 8。

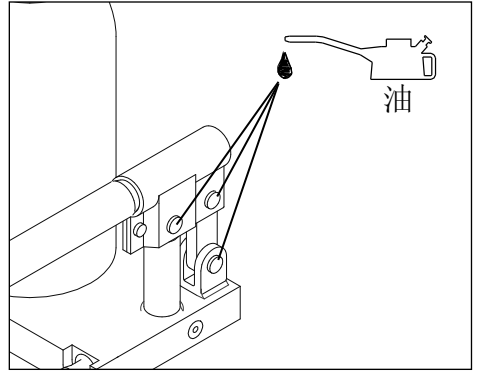


图 8 - 润滑

定期检查滑枕是否有腐蚀迹象。必要时进行清洁，并用浸满油的布擦拭。

图 8 - 润滑。

7.0 存放

在存放千斤顶之前：

- 一直向下推动滑枕，以便使其完全收缩，从而防止受损和受到腐蚀。
- 确保一直向下转动调整螺杆（如果配有），以防止螺纹受损。
- 擦掉任何灰尘或油。
- 确保泄压阀已完全关闭。

始终将千斤顶垂直存放在受保护的位置，并且此位置不会存在腐蚀性蒸气、磨屑或其他任何有害元素。

8.0 搬运和定位千斤顶

型号 GBJ-002 至 GBJ-050：可在不使用辅助提升设备的情况下用手搬运和定位这些型号的千斤顶。为了更加方便，GBJ-020、GBJ-020S、GBJ-030 和 GBJ-050 型号上提供了提升手柄。

型号 GBJ-100：必须使用起重机或具有相应能力的其他辅助提升设备搬运和定位此型号的千斤顶。将提升设备挂钩连接到千斤顶提升手柄上。

注：型号 GBJ-020 至 GBJ-100：有关千斤顶提升手柄的位置，请参阅图 2（第 11 项）。

9.0 压力表安装（仅限 GBJ-100）

仅在型号 GBJ-100 上使用压力表。在发运时压力表是松开的，操作千斤顶前必须安装压力表。见图 9。

按照以下步骤所述安装压力表：

1. 确保滑枕完全收缩，并且在鞍座上未放置负载。
2. 使用 17 MM 开口扳手卸下压力表端口上的运输管塞 (A)。
3. 确保将 O 型圈 (B) 放置在带有螺纹的端口底部。
4. 将压力表 (C) 放置在此端口上，使其刻度盘向外朝向用户。
5. 握紧压力表外壳，使其不移动，同时将压力表旋转配件拧入此端口中。使用 22 MM 开口扳手用手拧紧此配件。

重要事项：为防止损坏 O 型圈，安装压力表时不要使用扳手延长部分。

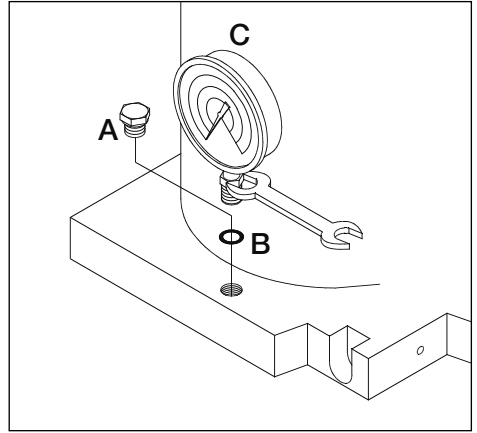


图 9 - 压力表安装（仅限 GBJ-100）

10.0 故障排除

请参阅故障排除表，其中列出了常见立式千斤顶故障现象、可能成因和解决方案。

有关维修服务，请联系 Enerpac 授权服务中心。应由 Enerpac 授权服务中心或其他合格液压服务机构进行检查和维修。

故障排除表		
故障现象	可能的原因	解决方案
1. 行动无规律。	系统内有空气。	排除设备中的空气。有关空气排除说明，请参阅第 6.2 节。
	液压油粘度过高。	排放油箱中的所有旧油。请参考加注 Enerpac HF 类型液压油（ISO 32 级）时的正确油位。请参阅第 6.1 节。 重要事项： 按照所有适用法律和法规的规定处理用过的油。
	滑枕粘结或阻塞。	去除千斤顶中的任何灰尘或粘性沉积物。确保千斤顶在负载下方已正确对齐。
	密封件磨损和/或内部损坏。	请 Enerpac 授权服务中心检查和修理千斤顶。
2. 滑枕没有前进。	泄压阀已打开。	关闭泄压阀。
	油位低。	向油箱中加入 Enerpac HF 类型的液压油（ISO 32 级），并加注到正确油位。请参阅第 6.1 节。
	千斤顶液压管路受到气阻。	排除设备中的空气。有关空气排除说明，请参阅第 6.2 节。
	负载高于千斤顶的承受能力。	使用具有相应负载额定值的更高承受能力的千斤顶。

故障排除表（续）		
故障现象	可能的原因	解决方案
3. 滑枕仅部分伸出。	油位低。	向油箱中加入 Enerpac HF 类型的液压油（ISO 32 级），并加注到正确油位。请参阅第 6.1 节。
	滑枕阻塞。	去除千斤顶中的任何灰尘或粘性沉积物。确保千斤顶在负载下方已正确对齐。
4. 滑枕前进缓慢。	泵装置磨损或损坏。	请 Enerpac 授权服务中心检查和修理千斤顶。
	密封件磨损和/或内部损坏。	请 Enerpac 授权服务中心检查和修理千斤顶。
5. 滑枕前进，但是不能保持压力。	止回阀不工作。	请 Enerpac 授权服务中心检查和修理千斤顶。
6. 千斤顶外壳和/或组件出现明显漏油。	密封件磨损和/或内部损坏。	请 Enerpac 授权服务中心检查和修理千斤顶。 注：在例程千斤顶操作中，滑枕表面有少量残油是正常现象。
7. 滑枕不收缩或收缩缓慢。	泄压阀已关闭。	打开泄压阀。
	油箱加油过多。	将油排放到正确油位。请参阅第 6.1 节。
	内部损坏。	请 Enerpac 授权服务中心检查和修理千斤顶。

L4000 Rev. C 04/13

1.0 説明

Enerpac GBJシリーズ油圧ボトルジャッキは、荷物の持ち上げを目的に設計されています。本製品は、米国標準規格の仕様ANSI/ASME PALD 2009およびASME B30.1-2009を満たしています。



ボトルジャッキの組み立て、操作または保守を行なう前に、取扱説明と安全情報をよくお読みください。取扱説明に順守しないと、人身事故や物的破損の原因となります。取扱説明は、いつでも参照できるように保管してください。

本製品の修理部品シートは、Enerpacウェブサイト、www.enerpac.com、最寄りの正規EnerpacサービスセンターまたはEnerpac販売店から入手できます。

2.0 ボトルジャッキの安全情報

2.1 危険注記

本書では、以下のように危険注記が使用されています：

危険：使用者に対する差し迫った危険を示します。この注意事項を遵守しないと、重大な人身障害や死亡事故の原因となります。

警告：この注意事項を遵守しないと、人身障害や死亡事故の原因となります。

注意：この注意事項を遵守しないと、人身障害やジャッキ損傷の原因となります。

ジャッキの操作または修理を行なう前に、すべての危険注記を必ず読んで理解してください。

2.2 ボトルジャッキの全般的な注意事項



危険：以下の注意事項および取扱説明を遵守しないと、重大な人身障害や死亡事故および荷物損失の原因となります。物的損害やジャッキ損傷の原因にもなります。

図1を参照してください。

- ① ジャッキを使用する前に、すべての取扱説明および安全注意事項を読んで理解してください。
- ② ジャッキは、あくまでも荷物を持ち上げるための装置です。持ち上げ後直ぐに、荷物を適切な定格スタンドまたは同等のプロックで支持してください。持ち上げ完了後、ジャッキを上げた状態で、荷物の支持には絶対に使用しないでください。
- ③ ジャッキは、荷物を支えることができる固い水平面でのみ使用してください。傾斜面または軟弱な面で使用

すると、ジャッキが傾いてサドルがずれ、荷物が落下して重大な人身事故を引き起こす原因となります。

④ 油圧で支持されている荷物の下では、作業しないでください。ジャッキによってのみ支持されている荷物の下には、手足または身体を入れたり近づけたりしないでください。ジャッキを上げた状態で、車両やその他の重量物の下で作業することは厳禁です。ジャッキが突然降下したり、荷物の下で外れると、重傷や死亡事故の原因となります。

⑤ 持ち上げる部分がしっかりと安定していること、荷物がジャッキサドルの中心に位置決めされていることを確認してください。

⑥ ポンプハンドルでかける力は、使用するジャッキモデルの最大許容値を超えないようにしてください。4.0節の表を参照してください。

⑦ ジャッキを火気や熱源に近づけないでください。ジャッキを溶接したり改造しないでください。

2.3 その他のボトルジャッキ安全注意事項

1. ジャッキに負荷をかけすぎないでください。荷物がジャッキの定格許容を超えないようにしてください。
2. 荷物を不必要に高い位置に持ち上げないでください。
3. ジャッキによって持ち上げる荷物の下には、物を置かないでください。

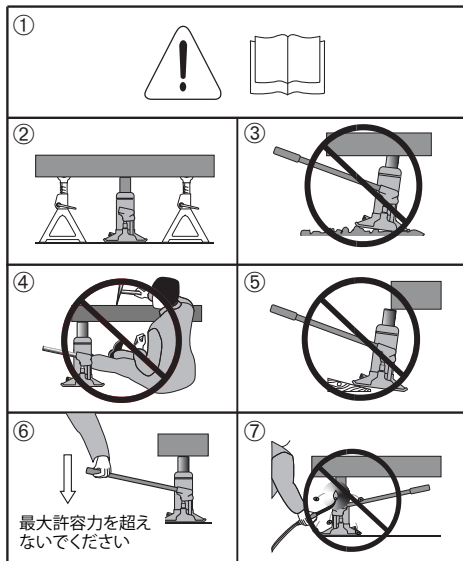


図1 - 安全注意事項

4. ジャッキによって持ち上げる物には、力をかけないでください。
5. ポンプハンドルは、使用していないときはジャッキのハンドルソケットから外してください。ジャッキには、必ず付属のポンプハンドルまたは同一仕様の確かな代替品を使用してください。
6. ジャッキが完全に降下していない場合は、どのような理由であれ、ジャッキのオイル充填/空気抜きプラグを外さないでください。
7. 荷物を支持しているときは、ジャッキの整備、修理、調整を絶対に行わないでください。
8. ジャッキは、周囲温度 -4 ~ 158°F [-20 ~ +70°C] の範囲で使用してください。
9. ジャッキの点検および修理は、必ず訓練を受けて資格を持った油圧技術者が行ってください。Enerpac純正交換部品およびEnerpac HFシリーズ油圧オイルを必ず使用してください。

3.0 納品時の指示

すべての部品に運送中の損傷がないか、目視点検してください。運送中の損傷は保証対象外です。運送中の損傷が見つかった場合、すぐに運送業者に連絡してください。運送中に生じた損傷については、運送業者が修理費や交換費を全額負担します。

4.0 仕様


モデル	◆能力 トン [kN]	最大 ストローク インチ [mm]	最小高さ インチ [mm]	最大高さ インチ [mm]	最大ポンプ ハンドル力 ポンド [kgf]	延長スク ルー高さ インチ [mm]	正味重量 ポンド [kg]	底面 インチ [mm]
GBJ-002	2 [19.6]	3.94 [100]	6.30 [160]	12.20 [310]	88.2 [40]	1.97 [50]	7.9 [3.6]	3.74 x 4.37 [95 x 111]
GBJ-002L	2 [19.6]	18.11 [460]	22.44 [570]	40.55 [1030]	88.2 [40]	*	13.2 [6.0]	127 x 127 [5.00 x 5.00]
GBJ-003	3 [29.4]	4.13 [105]	6.61 [168]	13.31 [338]	103.6 [47]	2.56 [65]	9.0 [4.1]	3.74 x 4.57 [95 x 116]
GBJ-005	5 [49]	5.91 [150]	8.35 [212]	17.20 [437]	110.2 [50]	2.95 [75]	11.0 [5.0]	3.74 x 4.84 [95 x 123]
GBJ-008	8 [78.4]	5.91 [150]	8.62 [219]	17.48 [444]	88.2 [40]	2.95 [75]	13.0 [5.9]	3.74 x 5.43 [95 x 138]
GBJ-010	10 [98]	5.91 [150]	8.62 [219]	17.48 [444]	88.2 [40]	2.95 [75]	14.3 [6.5]	3.74 x 5.59 [95 x 142]
GBJ-010S	10 [98]	2.44 [62]	5.16 [131]	8.78 [223]	88.2 [40]	1.18 [30]	12.1 [5.5]	3.74 x 5.59 [95 x 142]
GBJ-015	15 [147]	5.91 [150]	8.98 [228]	17.83 [453]	88.2 [40]	2.95 [75]	19.8 [9.0]	4.41 x 6.42 [112 x 163]
GBJ-020	20 [196]	5.91 [150]	9.21 [234]	18.07 [459]	88.2 [40]	2.95 [75]	26.7 [12.1]	5.00 x 6.73 [127 x 171]
GBJ-020S	20 [196]	4.13 [105]	7.48 [190]	13.78 [350]	88.2 [40]	2.17 [55]	22.0 [10.0]	5.00 x 6.73 [127 x 171]
GBJ-030	30 [294]	5.91 [150]	9.53 [242]	18.39 [467]	88.2 [40]	2.95 [75]	34.2 [15.5]	5.59 x 7.72 [142 x 196]
GBJ-050	50 [490]	5.91 [150]	9.92 [252]	15.83 [402]	88.2 [40]	*	62.8 [28.5]	7.09 x 9.06 [180 x 230]
GBJ-100	100 [980]	5.91 [150]	11.81 [300]	17.72 [450]	66.1 [30]	*	191.8 [87.0]	11.65 x 13.11 [296 x 333]

注意:

◆ トンで表記されている能力は公称、kNは実際の値です。

* 延長スクルーが付属されていないジャッキモデル。

表示寸法は概算値です。どの製品仕様も予告なく変更される場合があります。

 工具は、CEマークの要求事項に準じています。

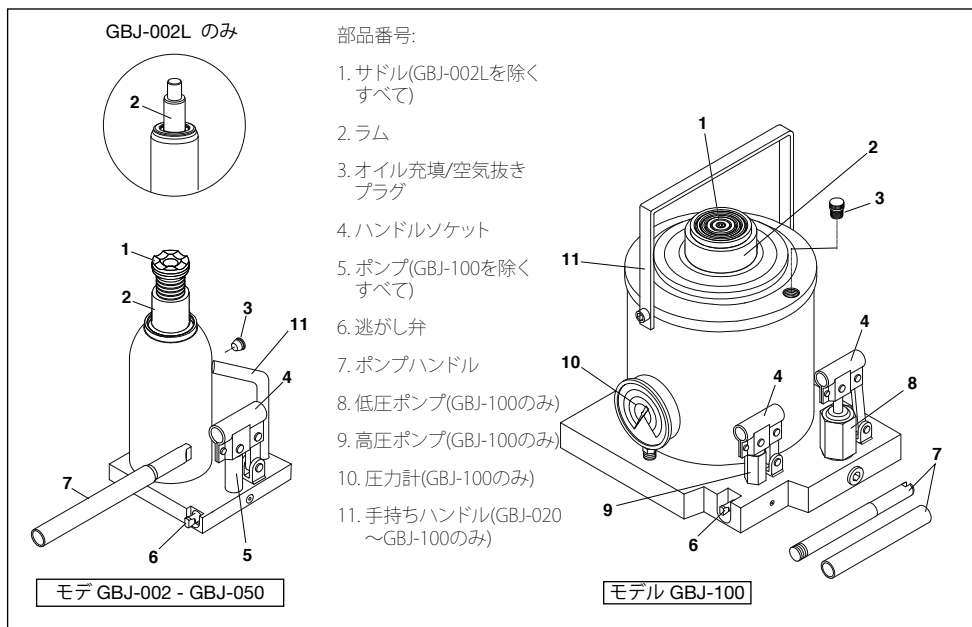


図2 - 外観および部品名

5.0 操作

5.1 ジャッキを使用する前に

1. 使用前に、ジャッキの状態を点検してください。ジャッキが損傷している、部品が欠落している、またはオイルが漏れている場合は使用しないでください。点検項目の詳細リストについては、6.3節を参照してください。
2. ポンプリネージュおよびピボットピンは、潤滑オイルで潤滑します。潤滑箇所については、6.4節を参照してください。
3. オイル充填/空気抜きプラグを外して、オイルレベルを確認します。オイルの使用およびその他の情報については、6.1節を参照してください。
4. ポンプハンドルの方形端を使用する前に、逃がし弁のステムを反時計方向に回して弁を開きます(2回以上回さないでください)。図3を参照してください。
5. ポンプハンドルをハンドルソケットに取り付けます。ハンドルを6~8回ストロークさせます。これにより、持ち上げ前に、ポンプ内の部品の潤滑が補助されます。

注意: 負荷状態でポンプ操作中にラムの上昇が不規則または「すかすかした」感じがする場合、空気抜き手順を行ってください。6.2節を参照してください。

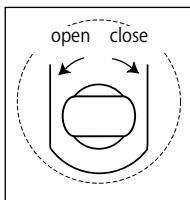


図3 - 逃し弁

5.2 荷物の持ち上げ

1. ポンプハンドルの方形端を使用する前に、逃がし弁のステムを時計方向に回して弁を完全に閉じます。



注意: 逃がし弁を閉じるときは、損傷を避けるため、力をかけすぎないでください。

2. 適正な持ち上げ部分の下でジャッキを位置決めします。ジャッキの運搬および位置決めについては、8.0節を参照してください。
 3. ポンプハンドルをハンドルソケットに取り付けます。ハンドルセグメントの長さや数は、ジャッキのモデルによって異なります。注意: モデルGBJ-100には、ポンプが2個付いています。このジャッキモデルでは、ポンプハンドルを低压ポンプのソケットに差し込みます。
 4. ポンプハンドルを操作して、サドルと荷物をしっかり接触させます。延長スクリー付きのモデルでは、必要に応じてスクリーの高さを調整します。荷物は、ジャッキサドルの中心に対して垂直に接するように行ってください。
- 警告: 持ち上げ中は、荷物の傾き角度が6度を超えないようにしてください。図4を参照してください。

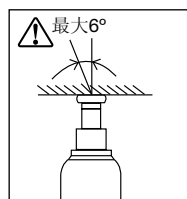


図4 - 荷物の傾き

5. 必要に応じてポンプハンドルを操作し続けて、荷物を目的の高さまで持ち上げます。
6. モデルGBJ-100のみ:荷物を途中まで持ち上げて、ポンプ力が確実に増してから、ポンプハンドルを高圧ポンプに付け替えます。荷物が目的の高さに持ち上がるまで、ポンプ操作を続けます。



警告:モデルGBJ-100に付属の校正済みの圧力計には、およその持ち上げ重量が表示されます。圧力計の読み取りが100メートルトン[980 kN]を超えた場合、ポンプ操作を直ちに停止してください。ジャッキは、100メートルトン(110ショートトン)以上の荷物を持ち上げるように設計されていません。

7. 持ち上げ完了後直ぐに、荷物を適切な重量定格のジャッキスタンドで支えます。

5.3 荷物の降下

1. ポンプハンドルを1~2ストロークさせると、荷物が持ち上げられ、ジャッキスタンドを外すことができます。ジャッキスタンドを荷物の下から外します。



警告:以下の手順に従って、逃がし弁をゆっくり回してください。逃がし弁を速く開きすぎると、降下中の荷物が突然落下して、ジャッキが緩んで荷物の下で外れる場合があります。重大な人身傷害や物的損害の原因となります。



注意:荷物の降下中は、逃がし弁を速く開いたり閉じることによって生じる「衝撃荷重」を避けてください。衝撃荷重により、ジャッキの油圧サーキットが過負荷となり、ジャッキが損傷する場合があります。

2. ポンプハンドルの方形端を使用して、逃がし弁のステムを反時計方向にゆっくり回して弁を開いて、ラムを戻します(2回以上回さないでください)。荷物が完全に降下するまで、ラムを戻し続けます。
3. 持ち上げ部分からジャッキを外します。
4. ラムを押し下げて、完全な後退位置まで戻します。延長スクルー(付属の場合)を最後まで回しきると、ネジ山が完全に隠れて、損傷から保護されます。

5.4 水平操作(GBJ-100を除く全モデル)

水平操作時は、ジャッキの向きをボンプが下向きの状態になって面に最接近するようにしてください。ボンプが上向きになっていると、ジャッキは正常に作動しません。水平操作の位置決めについては、図5を参照してください。



警告:水平操作中は、ジャッキを支持して落下しないようにしてください。



警告:水平操作時のジャッキ能力は、通常の定格の50パーセントまたはそれ以下です。水平操作中は、ジャッキに負荷がかかりすぎないように注意してください。



警告:押し分けられたり引っ張られている荷物を保持するために、適切な定格のブロック/サポートを必ず使用してください。ジャッキによってのみ支持されている荷物の間には、手足または身体を絶対に入れたり近づけないでください。

注意:モデルGBJ-100は、水平位置には使用できません。

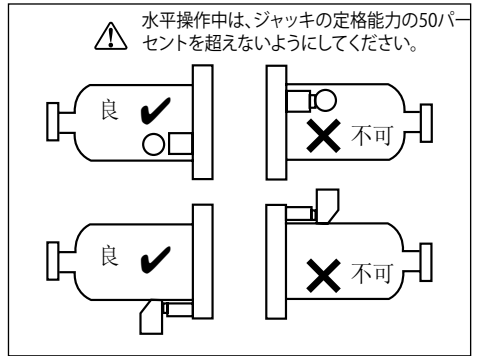


図5 - 水平操作(GBJ-100を除く全モデル)

6.0 メンテナンス

6.1 油圧オイルの補給

オイルレベルが低下している場合、以下の手順に従ってオイルを補給します。充填中にごみやほこりが入らないように注意してください。

1. ラムを完全に戻してから、ジャッキを直立させます。ジャッキを置いている面が水平であることを確認します。
2. オイル充填/空気抜きプラグを外します。モデルGBJ-100を除くすべてのジャッキは、プラグがシリンダーハウジング側にあります。モデルGBJ-100のみ、プラグがシリンダーハウジングの上にあります。

重要:必ずEnerpac HFシリーズ油圧オイル(ISOグレード32)をきれいな容器を使用して充填してください。



警告:モーターオイル、ブレーキオイル、アルコール、グリセリン、食用油、その他の承認されていない液体を使用すると、ジャッキが損傷して装置に故障または不具合が生じる可能性があります。人身傷害や物的損害の原因となります。

3. GBJ-100を除く全モデル:オイルレベルがオイル充填穴の下側あたりになるまで充填します。図6を参照してください。
4. モデルGBJ-100のみ:オイルレベルがオイル充填穴の約3インチ[75 mm]下になるまで充填します。図7を参照してください。



注意:充填しすぎないでください!ラムを完全に戻してジャッキを直立させた状態で、オイルレベルが図6または

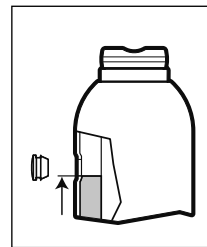


図6 - オイルレベル、GBJ-100を除く全モデル

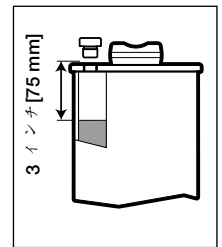


図7 - オイルレベル、モデルGBJ-100のみ

図7に示されている上限を超えないようにしてください(ご使用のジャッキモデルに応じて)。

5. オイル充填/空気抜きプラグを再取り付けします。

6. 6.2節の説明に従って、空気を抜いてください。

6.2 空気抜き

オイル充填後およびジャッキ操作中に「すかさした」感じがする場合は、以下の手順に従ってください。

ジャッキから空気を抜くには:

1. ポンプハンドルの方形端を使用して、逃がし弁のステムを反時計方向に回して弁を開きます(2回以上回さないでください)。

2. ポンプハンドルをハンドルソケットに取り付けます。ハンドルを6~8回ストロークさせます。

3. ポンプハンドルの方形端を使用して、逃がし弁のステムを時計方向に回して弁を完全に閉じます。

4. ポンプハンドルをハンドルソケットに取り付けます。ラムが完全に戻るまで、ハンドルを操作します。

5. ポンプハンドルをさらに5~6回ストロークさせます。

6. ポンプハンドルの方形端を使用して、逃がし弁のステムを反時計方向に回して弁を開きます(2回以上回さないでください)。

7. ラムを最後まで押し下げて、完全に戻します。

8. ポンプハンドルの方形端を使用して、逃がし弁のステムを時計方向に回して弁を完全に閉じます。締めすぎないでください!

9. GBJ-100を除く全モデル:ゴム製のオイル充填/空気抜きプラグを側方に押し、閉じ込められている空気を抜きます。

10. モデルGBJ-100のみ:オイル充填/空気抜きプラグを1~2回転させて緩め、閉じ込められている空気を抜きます。空気抜き後、プラグを締めます。

6.3 点検

毎回使用前に、ジャッキを目視点検します。以下の問題や症状を発見した場合、ジャッキを直ぐに取り外し、是正処置を行ってください:

- ハウジングの破損または損傷。
- 過度な摩耗、曲がり、その他の損傷。
- 油圧液体漏れ。
- ピストンロッド(ラム)の引っかき傷または損傷。
- 延長スクリュウの機能不良。
- 金具の緩み。
- 装置の改造または改変。



警告:ジャッキに何らかの損傷が見つかったり、または不具合の兆候がある場合、直ちに使用を中止して取り外してください。Enerpac正規サービスセンターまたは資格を持つ油圧サービス業者による点検および修理が完了するまで、ジャッキを使用しないでください。

6.4 定期的メンテナンス

ジャッキの使用前およびラムを10サイクル(上下)させた後、すべてのピボットピンおよびリンケージを潤滑オイルで十分に潤滑します。図8を参照してください。

ラムに腐食の兆候がないか定期的に点検します。必要に

応じて清掃してオイルを染み込ませた布で拭きます。

7.0 保管

ジャッキを保管する前に:

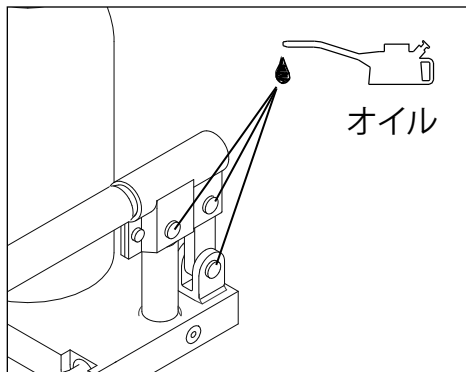


図8 - 潤滑

- ・ラムを最後まで押し下げて完全に戻し、損傷や腐食から保護します。
- ・延長スクリュウ(付属の場合)を最後まで下に回しきり、ネジ山を損傷から保護します。
- ・ごみ、ほこり、オイルなどを拭き取ります。
- ・逃がし弁を完全に閉じてください。

ジャッキは、腐食性蒸気、研磨性ダスト、その他の有害物にさらされない保全された場所で、必ず直立させて保管してください。

8.0 ジャッキの運搬と位置決め

モデルGBJ-002~GBJ-050:これらのモデルは、補助的な持ち上げ装置を使用せずに、手作業で運搬および位置決めできません。モデルGBJ-020、GBJ-020S、GBJ-030、GBJ-050には、手持ちハンドルが付いています。

モデルGBJ-100:このモデルは、適切な能力のホイストまたはその他の補助的な持ち上げ装置を使用して運搬および位置決めしてください。持ち上げ装置フックをジャッキの手持ちハンドルに取り付けます。

注意:モデルGBJ-020~GBJ-100:ジャッキの手持ちハンドルの位置については、図2(番号11)を参照してください。

9.0 圧力計の取り付け(GBJ-100のみ)

圧力計は、モデルGBJ-100にのみ使用されます。圧力計は、出荷時に取り外されているため、ジャッキ操作の前に取り付けてください。図9を参照してください。

以下の手順に従って、圧力計を取り付けます：

1. ラムが完全に戻された状態で、サドルに荷物が置かれていないことを確認してください。
2. 17 MMスパナを使用して、運搬用プラグ(A)を圧力計ポートから外します。
3. Oリング(B)をねじ込みポートの底に取り付けてください。
4. 圧力計(C)の目盛りを手前に向けてポートに位置決めします。
5. 圧力計ハウジングが動かないようにしっかりと保持しながら、スイベル継手をポートにねじ込みます。22 MMスパナを使用して、継手を手締めします。

重要:Oリングの損傷を防ぐため、圧力計取り付け時にスパナ延長部品は使用しないでください。

10.0 トラブルシューティング

一般的なボルトジャッキの症状、考えられる原因と対策の一覧については、トラブルシューティングテーブルを参照してください。

修理サービスについては、ENERPAC正規サービスセンターにお問い合わせください。点検および修理は、必ずENERPAC認定サービスセンターまたは資格を持つ油圧サービス業者に作業をご依頼ください。

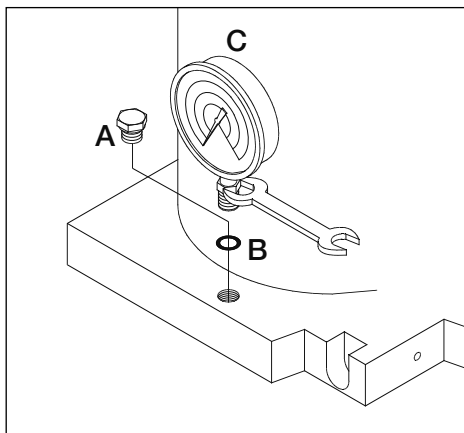


図9 - 圧力計の取り付け(GBJ-100のみ)

トラブルシューティングテーブル		
症状	考えられる原因	処置
1. 不規則な動作。	システムに空気が混入している。	ユニットから空気を抜いてください。空気抜きの説明については、6.2節を参照してください。
	油圧オイルの粘度が高すぎる。	すべての使用済みオイルを抜き取ります。Enerpac Type HF油圧オイル(ISOグレード32)の適正なレベルを参照してください。6.1節を参照してください。 重要: 使用済みオイルは、該当するすべての法律および規則に従って廃棄してください。
	ラムの詰まりまたは固着。	ジャッキからごみやほこりまたは沈着物を取り除いてください。荷物の下でジャッキの位置がずれていないか確認してください。
	シールの摩耗/内部の損傷。	ジャッキの点検および修理をEnerpac認定サービスセンターに依頼してください。
2. ラムが上昇しない。	逃がし弁が開いている。	逃し弁を閉じてください。
	オイルレベルの低下。	Enerpac Type HF油圧オイル(ISOグレード32)を適正なレベルまで充填してください。6.1節を参照してください。
	ジャッキの油圧サーキットの空気閉塞。	ユニットから空気を抜いてください。空気抜きの説明については、6.2節を参照してください。
	荷物の重量がジャッキ能力を超えている。	負荷定格が適切で能力の高いジャッキを使用してください。

トラブルシューティングテーブル(続き)

症状	考えられる原因	処置
3. ラムが部分的にしか上昇しない。	オイルレベルの低下。	Enerpac Type HF油圧オイル(ISOグレード32)を適正なレベルまで充填してください。6.1節を参照してください。
	ラムの固着。	ジャッキからごみやほこりまたは沈着物を取り除いてください。荷物の下でジャッキの位置がずれていないか確認してください。
4. ラムの上昇が遅い。	ポンプアセンブリの磨耗または損傷。	ジャッキの点検および修理をEnerpac認定サービスセンターに依頼してください。
	シールの摩耗/内部の損傷。	ジャッキの点検および修理をEnerpac認定サービスセンターに依頼してください。
5. ラムは上昇するが、圧力を保持しない。	チェック弁が作動していない。	ジャッキの点検および修理をEnerpac認定サービスセンターに依頼してください。
6. ジャッキハウジング/部品の目に見えるオイル漏れ。	シールの摩耗/内部の損傷。	ジャッキの点検および修理をEnerpac認定サービスセンターに依頼してください。 注意:ジャッキ操作中は、ラムの表面にオイルがわずかな量残っているのが通常です。
7. ラムが戻らない、あるいは戻りが遅い。	逃がし弁が閉じられている。	逃がし弁を開いてください。
	リザーバのオイルが多すぎる。	オイルを抜いて、適正なレベルにしてください。6.1節を参照してください。
	内部の損傷。	ジャッキの点検および修理をEnerpac認定サービスセンターに依頼してください。

Enperac Worldwide Locations

email: info@enerpac.com

internet: www.enerpac.com

Australia and New Zealand

Actuant Australia Ltd.
Block V Unit 3
Regents Park Estate
391 Park Road
Regents Park NSW 2143
(P.O. Box 261) Australia
T +61 (0)2 9743 8988
F +61 (0)2 9743 8648
sales-au@enerpac.com

Brazil

Power Packer do Brasil Ltda.
Rua Luiz Lawrie Reid, 548
09930-760 - Diadema (SP)
T +55 11 5687 2211
F +55 11 5686 5583
Toll Free: 0800 891 5770
ventasbrasil@enerpac.com

Canada

Actuant Canada Corporation
6615 Ordan Drive, Unit 14-15
Mississauga, Ontario L5T 1X2
T +1 905 564 5749
F +1 905 564 0305
Toll Free:
T +1 800 268 4987
F +1 800 461 2456
customer.service@actuant.com

China

Actuant (China) Industries Co. Ltd.
No.6 Nanjing East Road,
Taicang Economic Dep Zone
Jiangsu, China
T +86 0512 5328 7500
F +86 0512 5335 9690
Toll Free: +86 400 885 0369
sales-cn@enerpac.com

France, Switzerland, North Africa and French speaking African countries

ENERPAC
Une division d'ACTUANT France S.A.
ZA de Courtaboeuf
32, avenue de la Baltique
91140 VILLEBON / YVETTE
France
T +33 1 60 13 68 68
F +33 1 69 20 37 50
sales-fr@enerpac.com

Germany and Austria

ENERPAC GmbH
P.O. Box 300113
D-40401 Düsseldorf
Willstätterstrasse 13
D-40549 Düsseldorf, Germany
T +49 211 471 490
F +49 211 471 49 28
sales-de@enerpac.com

India

ENERPAC Hydraulics Pvt. Ltd.
No. 1A, Peenya Industrial Area
IInd Phase, Bangalore, 560 058, India
T +91 80 40 792 777
F +91 80 40 792 792
sales-in@enerpac.com

Italy

ENERPAC S.p.A.
Via Canova 4
20094 Corsico (Milano)
T +39 02 4861 111
F +39 02 4860 1288
sales-it@enerpac.com

Japan

Applied Power Japan LTD KK
Besshocho 85-7
Kita-ku, Saitama-shi 331-0821, Japan
T +81 48 662 4911
F +81 48 662 4955
sales-jp@enerpac.com

Middle East, Egypt and Libya

ENERPAC Middle East FZE
Office 423, LOB 15
P.O. Box 18004, Jebel Ali, Dubai
United Arab Emirates
T +971 (0)4 8872686
F +971 (0)4 8872687
sales-ua@enerpac.com

Russia

Rep. office Enerpac
Russian Federation
Admirala Makarova Street 8
125212 Moscow, Russia
T +7 495 98090 91
F +7 495 98090 92
sales-ru@enerpac.com

Southeast Asia, Hong Kong and Taiwan

Actuant Asia Pte Ltd.
83 Joo Koon Circle
Singapore 629109
T +65 68 63 0611
F +65 64 84 5669
Toll Free: +1800 363 7722
sales-sg@enerpac.com

South Korea

Actuant Korea Ltd.
3Ba 717, Shihwa Industrial Complex
Jungwang-Dong, Shihung-Shi,
Kyunggi-Do
Republic of Korea 429-450
T +82 31 434 4506
F +82 31 434 4507
sales-kr@enerpac.com

Spain and Portugal

ENERPAC SPAIN, S.L.
Avda. Los Frailes, 40 – Nave C & D
Pol. Ind. Los Frailes
28814 Daganzo de Arriba
(Madrid) Spain
T +34 91 884 86 06
F +34 91 884 86 11
sales-es@enerpac.com

Sweden, Denmark, Norway, Finland and Iceland

Enerpac Scandinavia AB
Fabriksgatan 7
412 50 Gothenburg
Sweden
T +46 (0) 31 799 0281
F +46 (0) 31 799 0010
scandinavianinquiries@enerpac.com

The Netherlands, Belgium, Luxembourg, Central and Eastern Europe, Baltic States, Greece, Turkey and CIS countries

ENERPAC B.V.
Galvanistraat 115
6716 AE Ede
P.O. Box 8097
6710 AB Ede
The Netherlands
T +31 318 535 911
F +31 318 535 848
sales-nl@enerpac.com

Enerpac Integrated Solutions B.V.

Opaalstraat 44
7554 TS Hengelo
P.O. Box 421
7550 AK Hengelo
The Netherlands
T +31 74 242 20 45
F +31 74 243 03 38
integratedsolutions@enerpac.com

South Africa and other English speaking African countries

Enerpac Africa Pty Ltd.
No. 5 Bauhinia Avenue
Cambridge Office Park
Block E
Highveld Techno Park
Centurion 0157
South Africa
T: +27 12 940 0656

United Kingdom and Ireland

ENERPAC Ltd.,
Bentley Road South
Darlaston, West Midlands
WS10 8LQ
England
T +44 (0)121 50 50 787
F +44 (0)121 50 50 799
sales-uk@enerpac.com

USA, Latin America and Caribbean

ENERPAC
P.O. Box 3241
Milwaukee WI 53201 USA
T +1 262 293 1600
F +1 262 293 7036
User inquiries:
T +1 800 433 2766
Distributor inquiries/orders:
T +1 800 558 0530
F +1 800 628 0490
Technical inquiries:
techservices@enerpac.com
sales-us@enerpac.com

All Enerpac products are guaranteed against defects in workmanship and materials for as long as you own them.

For the location of your nearest authorized Enerpac Service Center, visit us at www.enerpac.com