

# Product datasheet

Specifications



Photoelectric sensors XU, photo electric sensor, miniature, thru beam, Sn=20 m, PNP, cable 2 m

XUM2APSBL2

## Main

Range of product	Telemecanique Photoelectric sensors XU
Series name	General purpose single mode
Electronic sensor type	Photo-electric sensor
Sensor name	XUM
Sensor design	Miniature
Detection system	Thru beam
Material	Plastic
Type of output signal	Discrete
Supply circuit type	DC
Wiring technique	3-wire
Discrete output type	PNP
Discrete output function	1 NO or 1 NC programmable
Electrical connection	Cable
Cable length	2 m
Emission	Infrared thru beam
[Sn] nominal sensing distance	20 m

## Complementary

Enclosure material	PBT
Lens material	PMMA
Output type	Solid state
Wire insulation material	PVC
Status LED	Transmitter/supply on: 1 LED (green) Receiver/output: 1 LED (yellow) Receiver/stability: 1 LED (green)
[Us] rated supply voltage	12...24 V DC with reverse polarity protection
Supply voltage limits	10...30 V DC
Switching capacity in mA	<= 100 mA with short-circuit protection
Switching frequency	<= 500 Hz
Maximum voltage drop	<2 V

Current consumption	30 mA no-load
Maximum delay first up	300 ms
Maximum delay response	1 ms
Setting-up	Sensitivity by potentiometer
Depth	19.5 mm
Height	31.5 mm
Width	10.8 mm
Net weight	0.100 kg
Kit composition	Transmitter + receiver

## Environment

Product certifications	UL CE
Ambient air temperature for operation	-25...55 °C
Ambient air temperature for storage	-40...70 °C
Vibration resistance	+/-0.5 mm (f = 10...55 Hz)for every axis conforming to IEC 60068-2-6
Shock resistance	30 gn for for every axis conforming to IEC 60068-2-27
IP degree of protection	IP67 conforming to IEC 60529 IP54 conforming to IEC 60529

## Packing Units

Unit Type of Package 1	PCE
Number of Units in Package 1	1
Package 1 Weight	96.0 g
Package 1 Height	3 cm
Package 1 width	10 cm
Package 1 Length	10 cm
Unit Type of Package 2	CAR
Number of Units in Package 2	15
Package 2 Weight	2.1 kg
Package 2 Height	15.2 cm
Package 2 width	14.8 cm
Package 2 Length	40.6 cm
Unit Type of Package 3	S02
Number of Units in Package 3	35
Package 3 Weight	3.726 kg
Package 3 Height	15 cm
Package 3 width	30 cm
Package 3 Length	40 cm

## Offer Sustainability

REACH Regulation	<a href="#">REACH Declaration</a>
REACH free of SVHC	Yes
EU RoHS Directive	Pro-active compliance (Product out of EU RoHS legal scope)

EU RoHS Declaration

---

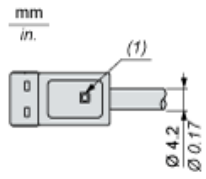
<b>Toxic heavy metal free</b>	Yes
<b>Mercury free</b>	Yes
<b>RoHS exemption information</b>	Yes

---

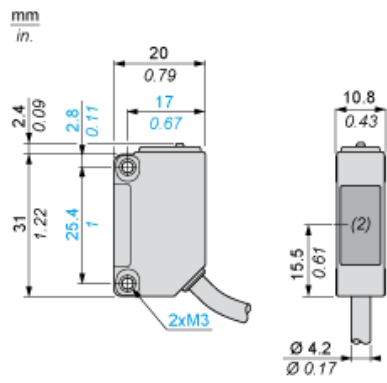
## Dimensions

### Transmitter. Pre-cable Version

Description



Dimensions



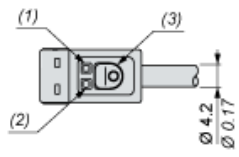
- (1) Power supply indicator (orange)
- (2) Transmission

**Dimensions**

**Receiver. Pre-cable Version**

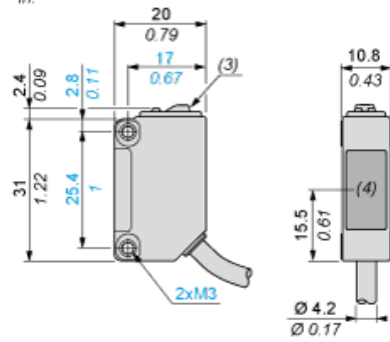
Description

mm  
in.



Dimensions

mm  
in.



- (1) Output indicator (orange)
- (2) Stability indicator (green)
- (3) Setting pushbutton
- (4) Reception

**Connections and Schema**

---

**Pre-cabled**

(-) : BU (Blue)

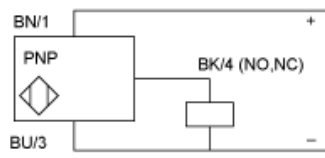
(+) : BN (Brown)

**OUT/Output** : BK (Black)

**Connections and Schema**

---

**PNP**

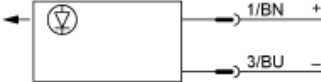


- BN :** Brown
- BU :** Blue
- BK :** Black

**Connections and Schema**

---

**DC Transmitter**



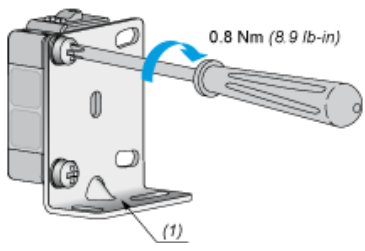
**BN :** Brown  
**BU :** Blue



**Mounting and Clearance**

---

**Tightening Torque**

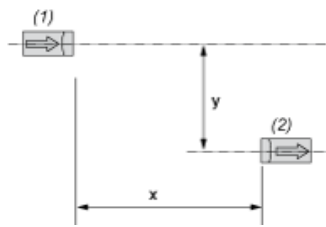
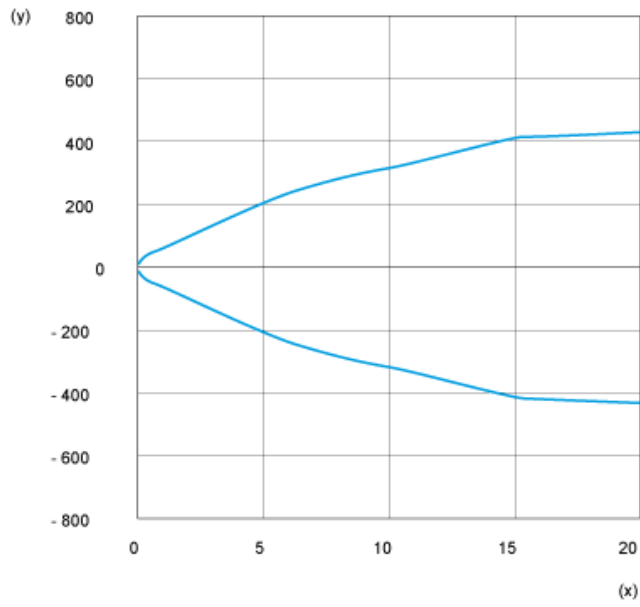


(1) Base mounting fixing bracket

**Performance Curves**

---

**Thru-beam System**



- (1) Transmitter
- (2) Receiver
- (y) Parallel movement in mm
- (x) Distance in m