

Features

- 316 Stainless steel
- Manufactured to interchange with all products produced to MIL-C-27487F
- BSPP Male threads to BS21
- BSPP Female threads to BS2779

RS PRO Cam & Groove

RS Stock No.: 307190



Type B Male Coupling x BSPT Male End

Product Description

Part No.	Size	Pack Qty.
307190	1 1/2" BSPT	1

RS PRO is the own brand of RS. The RS PRO Seal of Approval is your assurance of professional quality, a guarantee that every part is rigorously tested, inspected, and audited against demanding standards. Making RS PRO the Smart Choice for our customers.

Features

- Manufactured to interchange with all products produced to MIL-C-27487F
- Convenience, interchangeability
- Easily disconnect/connect without tools
- Good corrosion resistance, wear resistance, high temperature stability

Applications

- Hydraulic fluids, coolant, gasoline and petroleum products, fuel transport, irrigation, water treatment, seawater, wastewater, chemicals transport and storage
- Petroleum, mining, municipal, construction, chemicals, agriculture

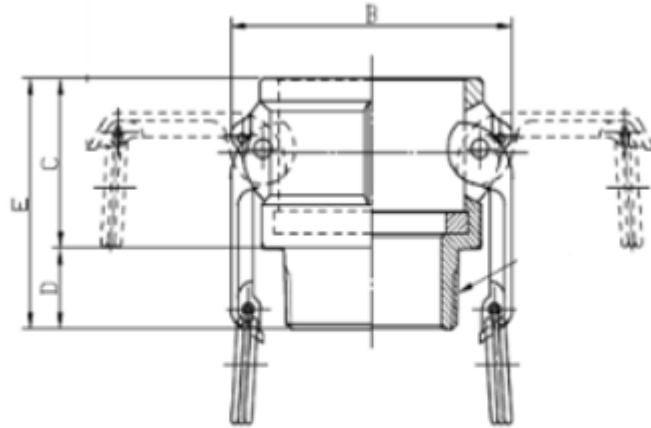
General Specifications

Temperature Rating	-40°C to 100°C
Working Pressure	17 bar

Materials

Body	316 Stainless steel
Gasket	Buna-N Nitrile

Dimensions



Part No	B	C	D	E
307184	68.2	40	19	59
307190	87.4	46	23.5	69.5
307207	97	52.5	24.5	77