

Light is OSRAM

OSRAM

FLEXESSORIES

SLIMCONNECT SYSTEM 08 – G2

TECHNICAL DATASHEET

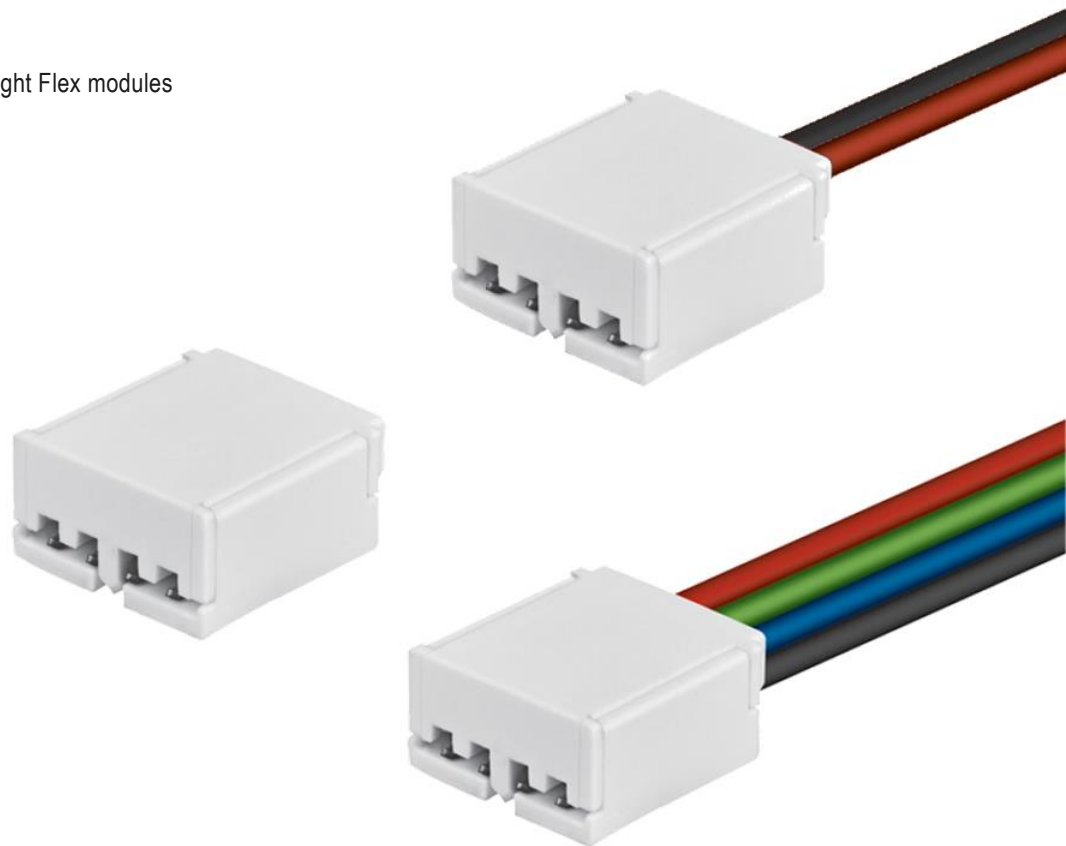
Enjoy full flexibility in lighting design. Connect easily modules without any need of tools. The SLIMCONNECT SYSTEM is made for minimalistic integration into aluminum profiles and luminaires. Yet offering a strong retention force to the module and extra mounting support through the additional adhesive back on the connectors' backside.

Key Features & Benefits

- Assembly without tools
- Robust connection
- Fits into SLIM TRACK
- 3M Adhesive tape on the back to support mounting
- Keep LED pitch at board to board connection
- Extension wires for connection across corners

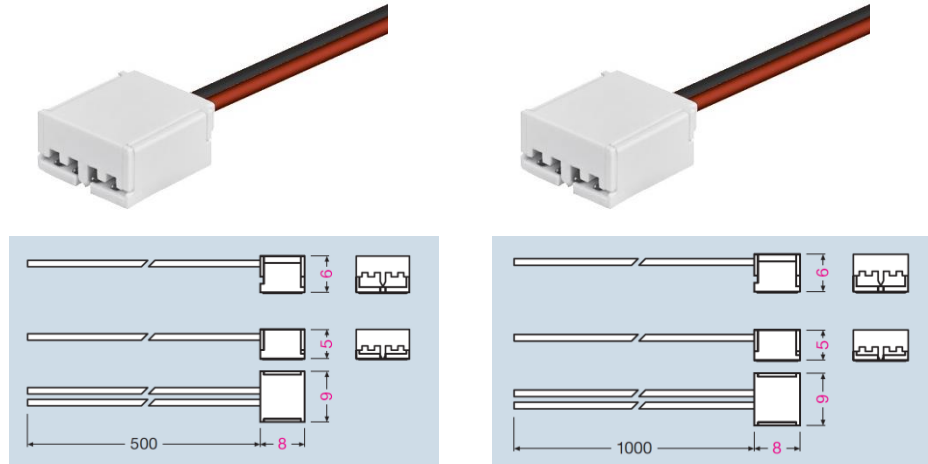
Possible Applications

- All applications applying to LINEARlight Flex modules



Power feed for single channel / color

Power feeders to connect modules with single white and single monochromatic light
 Use with LF4000, LF3000, LF2000, LF1200, LF800S, LF06A, LF05A2, LF06E, LF05E



Description	2pin power feeding connector with 50cm cable	2pin power feeding connector with 1m cable
Product	FX-SC08-G2-CT2PF-0500	FX-SC08-G2-CT2PF-1000
Cable length	500 mm	1,000 mm
Rated insulation voltage	< 25 V	< 25 V
Rated current	5 A	5 A
Connector closing force	<55 N	<55 N
PCB retention force	≥ 15 N	≥ 15 N
Contact resistance	≤ 30 mΩ	≤ 30 mΩ
Conductor cross section AWG	22	22
Ambient temperature (storage/transport)	-40 – +85 °C	-40 – +85 °C
Ambient temperature (operation) LLT - ULT	-30 - +70 °C	-30 - +70 °C
Connector part: Inflammability class acc. UL94	V0	V0
Connector part: Insulating material	PBT GF	PBT GF

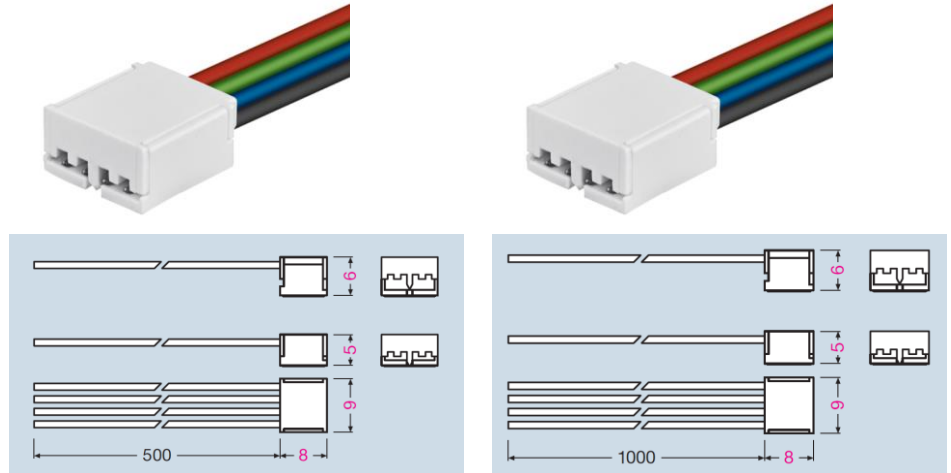
Ordering details

EAN per single piece	4052899464735	4052899464766
Quantity	1	1
Comment	only boxes orderable	only boxes orderable
EAN per bag/box	4052899464742	4052899464773
Quantity	20	20
EAN per shipping box	4052899464759	4052899464780
Quantity	14 x 20 (=280)	14 x 20 (=280)

Due to the special conditions of manufacturing processes of LED, the typical data of technical parameters can only reflect statistical figures and do not necessarily correspond to the actual parameters of each single product which could differ from the typical data.
 Subject to change without notice. Errors and omissions excepted.
 Version: 2016-12-09

Power feed for 3 channels / colors

Power feeders to connect RGB modules
Use with LF05CA2



Description	4pin power feeding connector with 50cm cable	4pin power feeding connector with 1m cable
Product	FX-SC08-G2-CT4PF-0500	FX-SC08-G2-CT4PF-1000
Cable length	500 mm	1,000 mm
Rated insulation voltage	< 25 V	< 25 V
Rated current	5 A	5 A
Connector closing force	<60 N	<60 N
PCB retention force	≥ 15 N	≥ 15 N
Contact resistance	≤ 30 mΩ	≤ 30 mΩ
Conductor cross section AWG	22	22
Ambient temperature (storage/transport)	-40 – +85 °C	-40 – +85 °C
Ambient temperature (operation) LLT - ULT	-30 - +70 °C	-30 - +70 °C
Connector part: Inflammability class acc. UL94	V0	V0
Connector part: Insulating material	PBT GF	PBT GF

Ordering details

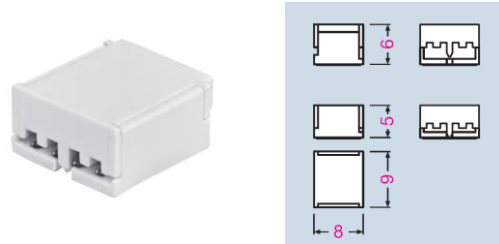
EAN per single piece	4052899464797	4052899464827
Quantity	1	1
Comment	only boxes orderable	only boxes orderable
EAN per bag/box	4052899464803	4052899464834
Quantity	20	20
EAN per shipping box	4052899464810	4052899464841
Quantity	14 x 20 (=280)	14 x 20 (=280)

Due to the special conditions of manufacturing processes of LED, the typical data of technical parameters can only reflect statistical figures and do not necessarily correspond to the actual parameters of each single product which could differ from the typical data.
Subject to change without notice. Errors and omissions excepted.
Version: 2016-12-09

Jumper for 1-3 channels / colors

Interconnect two modules

Use with LF4000, LF3000, LF2000, LF1200, LF800S, LF06A, LF05A2, LF06E, LF05E, LF05E2, LF05CA2



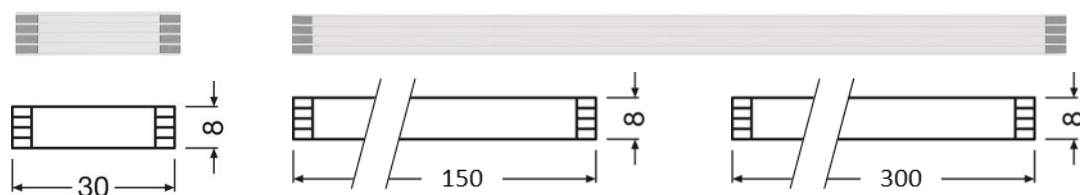
Description	Board to board connector between modules for modules with 1, 2 or 3 channels
Product	FX-SC08-G2-CT4PJ
Cable length	no cable
Rated insulation voltage	< 25 V
Rated current	5 A
Connector closing force	90 N
PCB retention force	≥ 15 N
Contact resistance	≤ 30 mΩ
Ambient temperature (storage/transport)	-40 – +85 °C
Ambient temperature (operation) LLT - ULT	-30 - +70 °C
Connector part: Inflammability class acc. UL94	V0
Connector part: Insulating material	PBT GF

Ordering details

EAN per single piece	4052899464858
Quantity	1
Comment	only boxes orderable
EAN per bag/box	4052899464865
Quantity	25
EAN per shipping box	4052899464872
Quantity	50 x 25 (=1,250)

Extension Wires

Extension wires allow you installations around corners.
Use them between two board-to-board connectors.

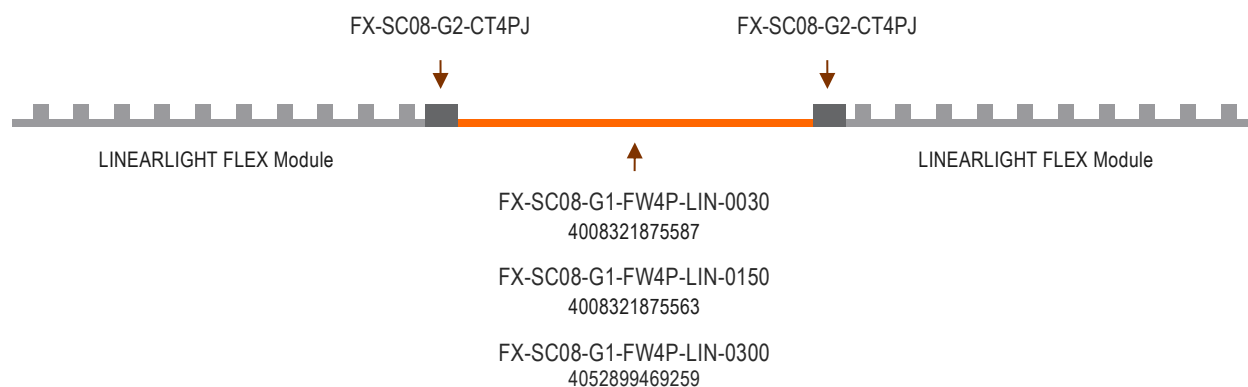


Product	FX-SC08-G1-FW4P-LIN-0030	FX-SC08-G1-FW4P-LIN-0150	FX-SC08-G1-FW4P-LIN-0300
----------------	--------------------------	--------------------------	--------------------------

Ordering Details

EAN per bag/box	4008321875587	4008321875563	4052899469259
Quantity	100	50	50
EAN per shipping box	4008321875594	4008321875570	4052899469266
Quantity	100 x 100 (=10,000)	100 x 50 (=5,000)	300 x 50 (=15,000)

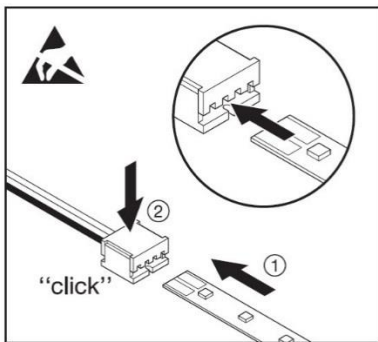
How to apply the extension wires



Safety Information

- All components of the SLIMCONNECTsystem FLEX must be assembled to avoid any stress on the wires and/or board connectors. The installer must ensure that there is adequate strain relief between the board connection and the wiring.
- Installation of LED modules (with power supplies) needs to be made with regard to all applicable electrical and safety standards. Only qualified personnel should be allowed to perform installations.
- The connector has no inverse polarity protection. There will be no electrical function if connector is not well positioned or if polarity is inverse. Several modules can be damaged (see the respective module data sheet).
- The maximum operation current may not be exceeded.
- The SLIMCONNECTsystem FLEX is designed for indoor applications only. Any unprotected outdoor use is not allowed.
- A suitable enclosure IP67 is required if the system is to be exposed to humidity and /or dust. Condensation water in the IP67 enclosure is not allowed.

Assembly Information



- For electrical connection of the LINEARlight FLEX, both, module and connector must be positioned with the correct side up as shown in the graphic.
- Pay attention to the correct polarity between feeder and module:

- **FX-SC08-G2-CT2PF**

Black wire = “-” pole / red wire = “+” pole

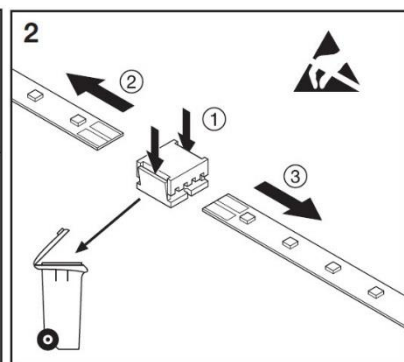
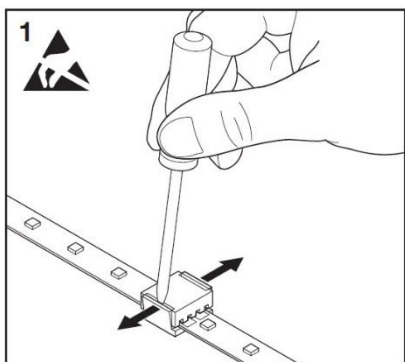
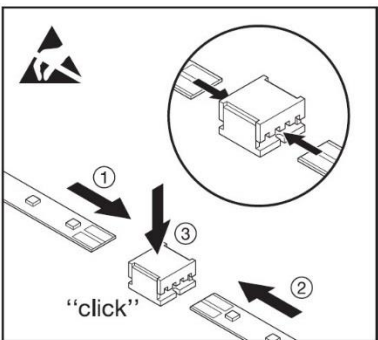
- **FX-SC08-G2-CT4PF**

Black wire = “+” pole / Blue Wire = “B”-pad / Green Wire = “G”-pad / Red Wire = “R”-pad

- **FX-SC08-G2-CT4PJ**

Particular attention is required when using the connector for board to board connection: The '+' pole of the first module has to be connected to the '+' pole of the second module. In case of wrong polarity no light will be emitted and the modules can be damaged

- Then slide the module into the connector and press on the connector to fix the connection. Make sure to work on a flat and robust surface.



In order to maintain adequate electrical contact, the connectors are designed for single use. However, to reuse the connected PCB, a removal is possible but will result in the destruction of the connector.

FLEXESSORIES
SLIMCONNECT SYSTEM 08 – G2
TECHNICAL DATASHEET
2016-12-09

Related and further information

- OSRAM LED Systems www.osram.com/led-systems
- OSRAM: FLEXIBLE LED MODULES www.osram.com/flex
- OSRAM catalogue <http://catalog.osram.com>
- General information www.osram.com

OSRAM GmbH

Head Office:

Marcel-Breuer-Strasse 6
80807 Munich, Germany

+49 89 6213-0
www.osram.com

Sales and technical support is given by the local OSRAM subsidiaries.

On the OSRAM website all subsidiaries are listed with complete address and phone numbers.

The OSRAM logo is displayed in a bold, orange, sans-serif font.