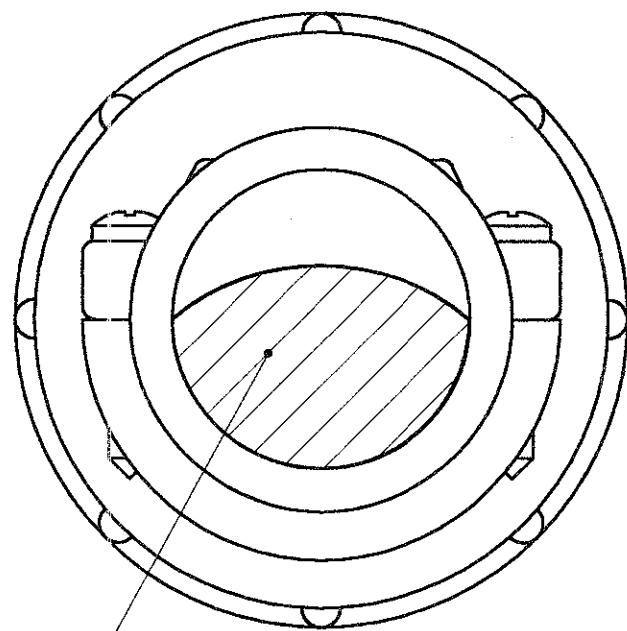


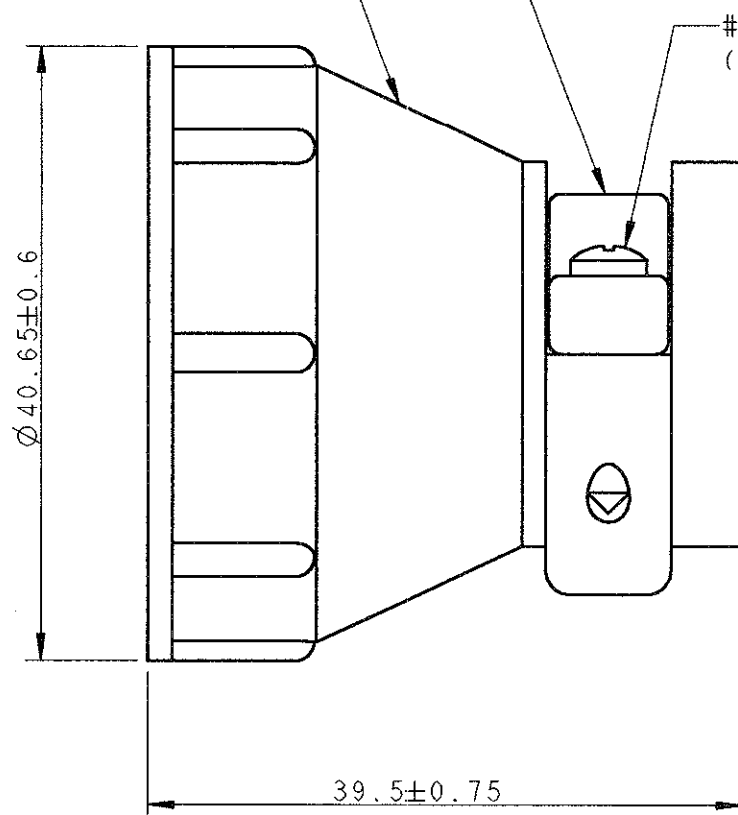
LOC	DIST	REVISIONS			
P	LTR	DESCRIPTION	DATE	DWN	APVD
		C1 REVISED PER ECO-11-005140	31MAR11	RK	HMR



AREA SERRAGGIO CAVI
(CLAMPING AREA) 3

INSERTO SERRACAVI
(CLAMPING INSERT)

CORPO CORAZZA
(CLAMPING INSERT)



#5-20 VITI AUTOFIETTANTI IN ACCIAIO ZINCATO (Q.TA' 2)
(#5-20 SELF-TAPPING SCREWS, ZINC PLATED STEEL, Q.TY 2)

- 1) MATERIALE : TERMOPLASTICO, COLORE NERO
(MATERIAL : THERMOPLASTIC, BLACK COLOUR)
- 2) PARTICOLARI FORNITI NON ASSEMBLATI IN SACCHETTO DI PLASTICA
(PARTS PACKAGED UNASSEMBLED INTO A PLASTIC BAG)
- 3 L'AREA SERRAGGIO CAVI E' VARIABILE DA 64.5 A 264.5 mm²
IN FUNZIONE DEL TIPO E POSIZIONE DELL'INSERTO SERRACAVO
(CABLE CLAMPING AREA ADJUSTABLE FROM .100 TO .410 SQ. IN.
BY SELECTING AND REVERSING CLAMPING INSERTS)
- 4) QUESTO CONNETTORE E' RICONOSCIUTO E CERTIFICATO
(THIS CONNECTOR IS UL RECOGNIZED AND CSA CERTIFIED)
- 5) Ø MAX DEL FASCIO CAVI = 17.9 mm.
(MAXIMUM CABLE O.D. = .703 IN.)

P/N 182652-1 COME RAPPRESENTATO
(P/N 182652-1 AS SHOWN)

DIMENSIONS: mm		TOLERANCES UNLESS OTHERWISE SPECIFIED:		DWN R. FABRIZI	TE Connectivity	
		0 PLC ±	1 PLC ± ±0.3	CHK -		
MATERIAL -		FINISH -		PRODUCT SPEC 108-10024	NAME C.P.C. CABLE CLAMP KIT SIZE 23	
				APPLICATION SPEC -	SIZE A3	CAGE CODE 00779
				WEIGHT -	DRAWING NO C=182652	
CUSTOMER DRAWING				SCALE 2:1	SHEET 1	OF 1
				REV C1		