



Brand of NTN Group

Technical data

MUCNFL204-12

Bearing units

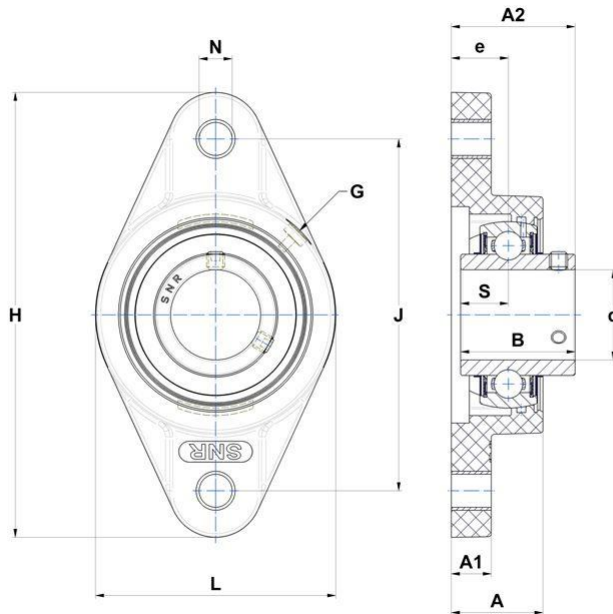


Thermoplastic housing, stainless steel insert ball bearing with socket set screws, seal with slinger, food grease

KIT CONTENT

MUC204-12FD, NFL204

VISUAL (S)



PRODUCT DEFINITION

Brand	SNR
A - Housing height	26,5 mm
A1 - Housing foot height / flange height	11,4 mm
A2 - Total height from mounting surface	33,7 mm
B - Width of Inner Ring	31 mm



NTN Europe

1 rue des Usines · BP 2017 · 74010 Annecy Cedex · France · Tel. +33 (0)4 50 65 30 00
S.A. au capital de 322 639 919 € · RCS ANNECY B 325 821 072 · Id. Fiscale : FR 48 325 821 072
SIRET 325 821 072 00015 · Code APE 2815 Z · Code NACE 28.15

PRODUCT DEFINITION

d - Shaft diameter	19,05 mm
e - Distance mounting surface to bearing center	15,4 mm
G - Grease fitting	1/4"-28
H - Housing length, width or diameter	113 mm
J - Mounting holes distance	90 mm
L - Housing width / diameter	64,8 mm
N - Mounting hole dimension	11 mm
S - Distance front side/bearing centre	12,7 mm

PRODUCT PERFORMANCE

C - Dynamic load rating	10900000 mN
C0 - Static load rating	5300000 mN
Operating temperature min.	253,15 °K
Operating temperature max.	373,15 °K

OTHER FEATURES

Mass	0,249 kg
Recommended tightening torque for set screw	3.9 N-m

