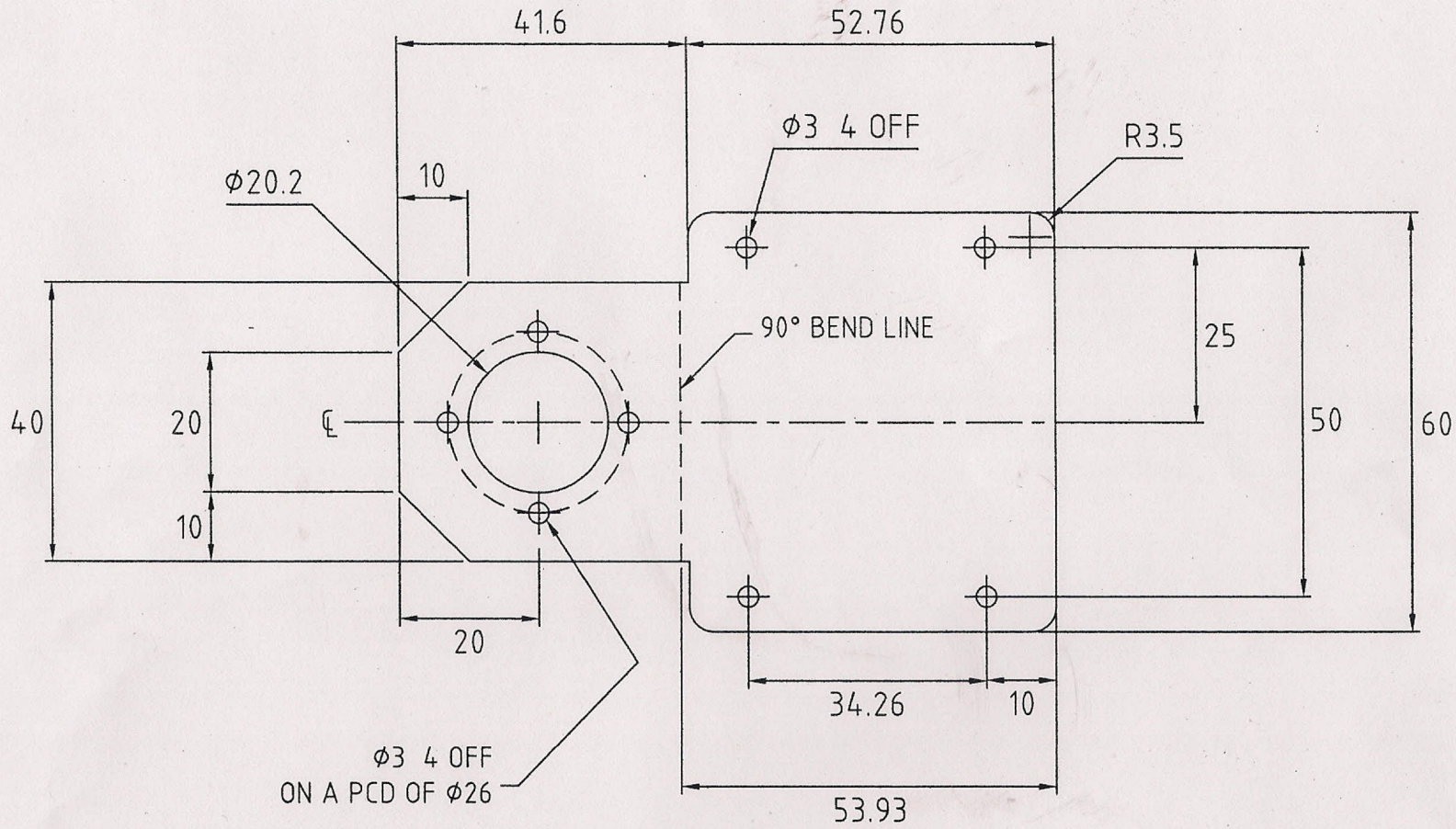


DRG.No.



ISSUE	DESCRIPTION	APPD	DATE	REVISION				DETAILS	BY	DATE
	1.5mm MILD STEEL, BRIGHT ZINC & COLOURLESS			DRAWN	TRACED	CHECKED	APPROVED		DATE	
				IB		<i>[Signature]</i>	<i>[Signature]</i>		01/02/12	
DIMENSIONS IN MILLIMETRES				DRAWING No. 302						

**MFA/Como Drills**  
 Felderland Lane, Worth, Deal, Kent  
 CT14 0BT  
 Tel: 01304 612132  
 Fax: 01304 614696  
 E-mail: info@mfacomodrills.com  
 Web: www.mfacomodrills.com

TITLE  
 940-942D-LN GEARBOX  
 MOUNTING BRACKET  
 FLAT PATTERN