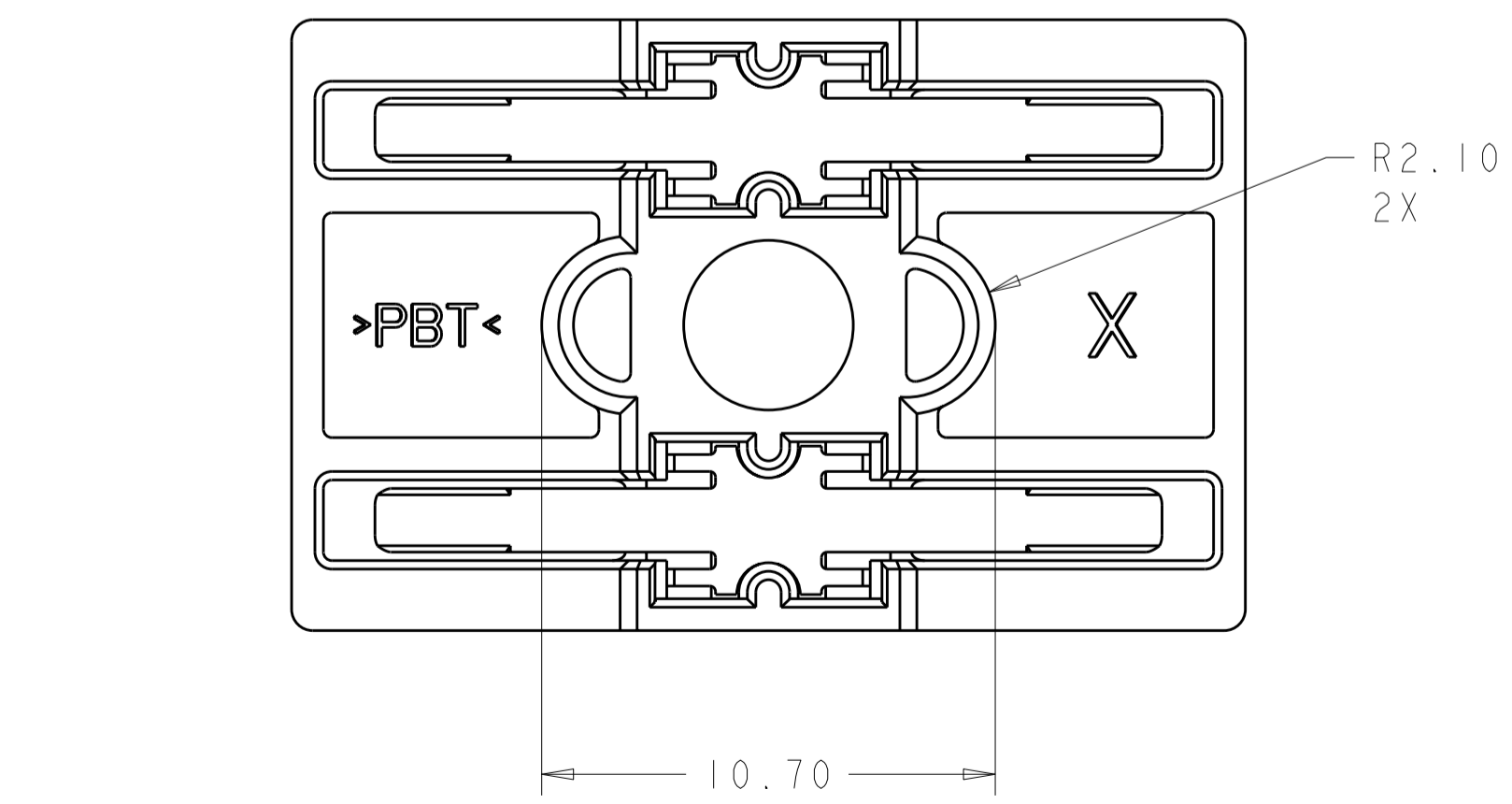
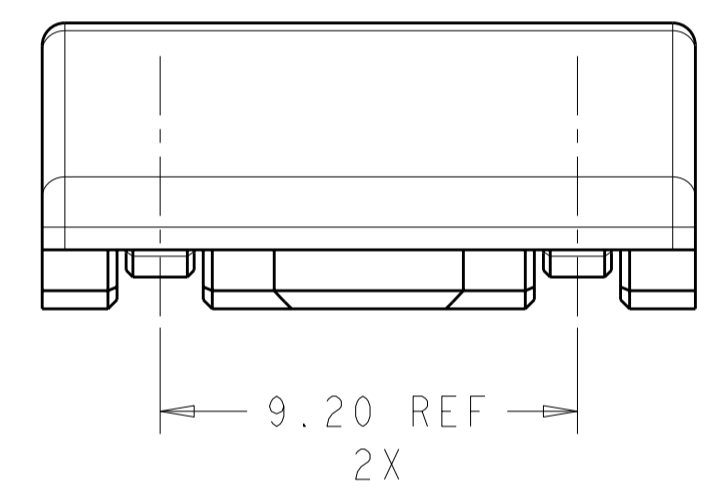
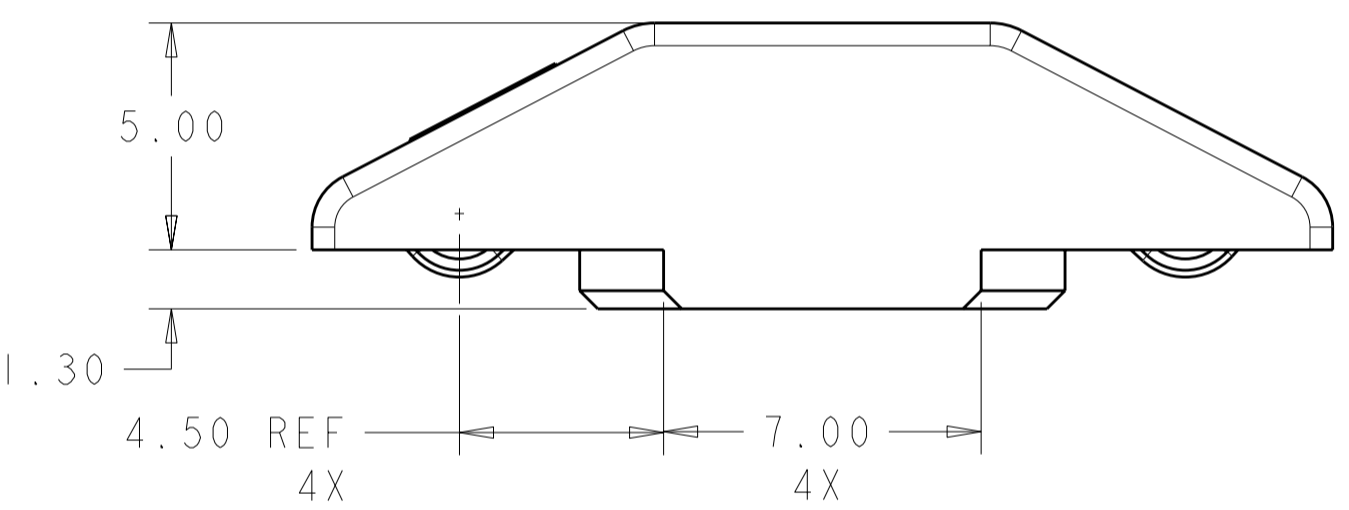
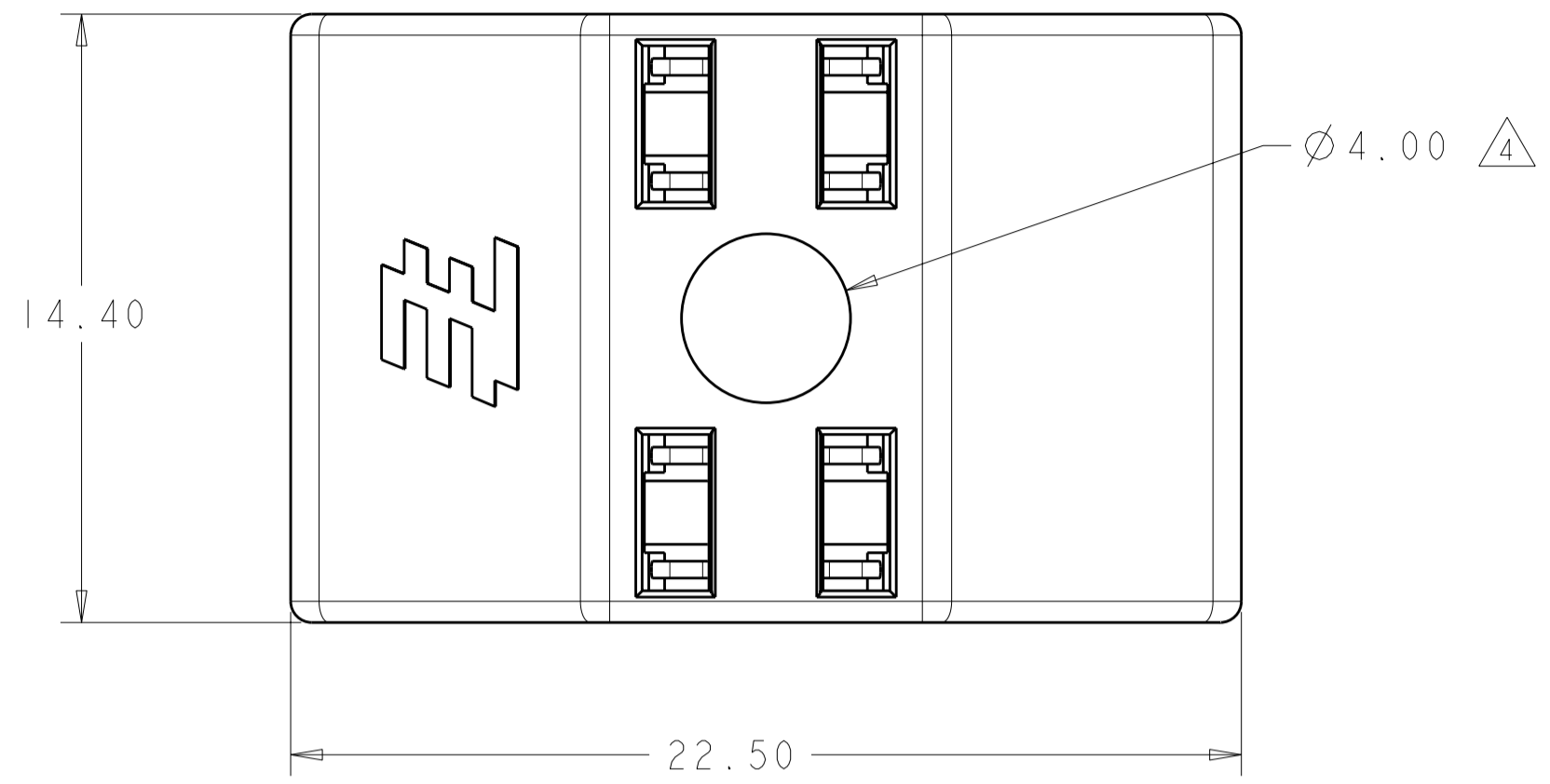


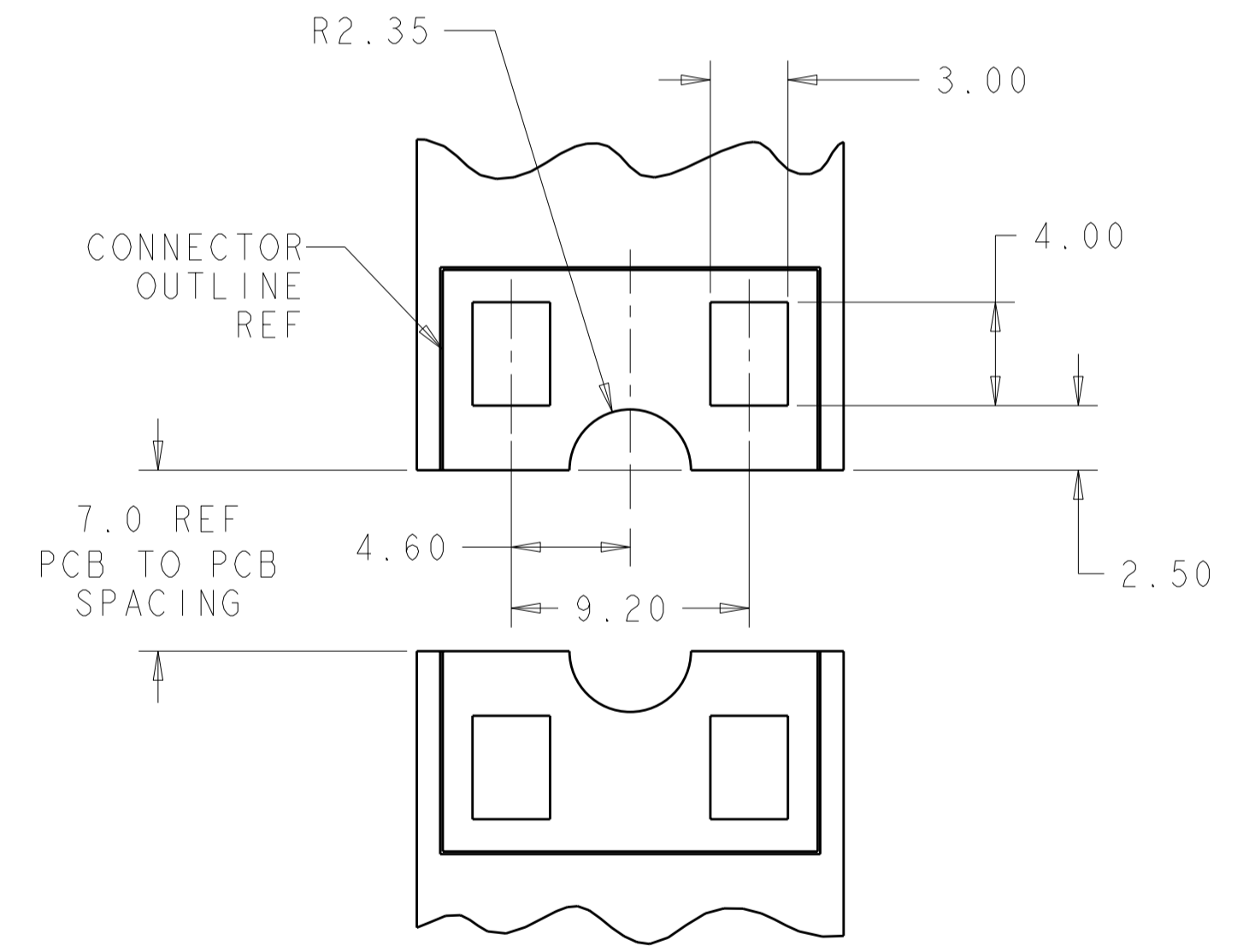
THIS DRAWING IS UNPUBLISHED. RELEASED FOR PUBLICATION 20
 © COPYRIGHT 20 BY - ALL RIGHTS RESERVED.

| REVISIONS | | | | | | | |
|-----------|------|----|-----|---------------------------|-----------|-----|------|
| LOC | DIST | P | LTR | DESCRIPTION | DATE | DWN | APVD |
| - | - | A2 | | REVISED PER ECO-11-004820 | 11MAR2011 | RK | HMR |



NOTES:

- 1. MATERIALS AND FINISH:
 -HOUSING: PBT, COLOR: NATURAL
 -CONTACTS: COPPER ALLOY, FINISH: PRE-TIN
- 2. MUST COMPLY WITH DIRECTIVE 2002/95/EC (ROHS)
- 3. THIS PRODUCT HAS NOT COMPLETED VALIDATION TESTING
- 4. RECOMMENDED SCREW SIZE: #6
 SCREW DOWN TORQUE: 0.11-.22 N-M [1.0-2.0 LBF-IN]
- 5. SCREWS FROM FERROUS METALS (OTHER THAN STAINLESS STEEL) SHOULD BE ZINC PLATED OR HAVE AN EQUIVALENT PROTECTIVE COATING
- 6. PACKAGING: TUBE PACKAGING



RECOMMENDED PCB LAYOUT
 SCALE 4:1

2106154-1
 PART NO.

| | | | | |
|--|--|-------------------------------|---|-----------------------|
| THIS DRAWING IS A CONTROLLED DOCUMENT. | | DWN C. DAILY 04FEB2009 | TE Connectivity | |
| | | CHK R. NARANG 04FEB2009 | | |
| DIMENSIONS: mm | | APVD - | NAME JUMPER, BOARD TO BOARD, SCREW DOWN | |
| TOLERANCES UNLESS OTHERWISE SPECIFIED: 0 PLC ± 1 PLC ±0.2 2 PLC ±0.13 3 PLC ± 4 PLC ± ANGLES ±3° FINISH | | PRODUCT SPEC 108-2392 | SIZE A2 | |
| MATERIAL | | APPLICATION SPEC 114-13260 | CAGE CODE A200779 | DRAWING NO 2106154 |
| THIS DRAWING IS UNPUBLISHED. RELEASED FOR PUBLICATION 20 © COPYRIGHT 20 BY - ALL RIGHTS RESERVED. | | WEIGHT - | RESTRICTED TO - | SCALE 6:1 |
| | | CUSTOMER DRAWING | SHEET 1 | REV A2 |