

RoHS Compliant			
G			
F			
E			
D			
C			
B	01-DEC-15	PUNNING	AK
A	20-OCT-14	PDF	AS
REV	DATE	FILE	BY

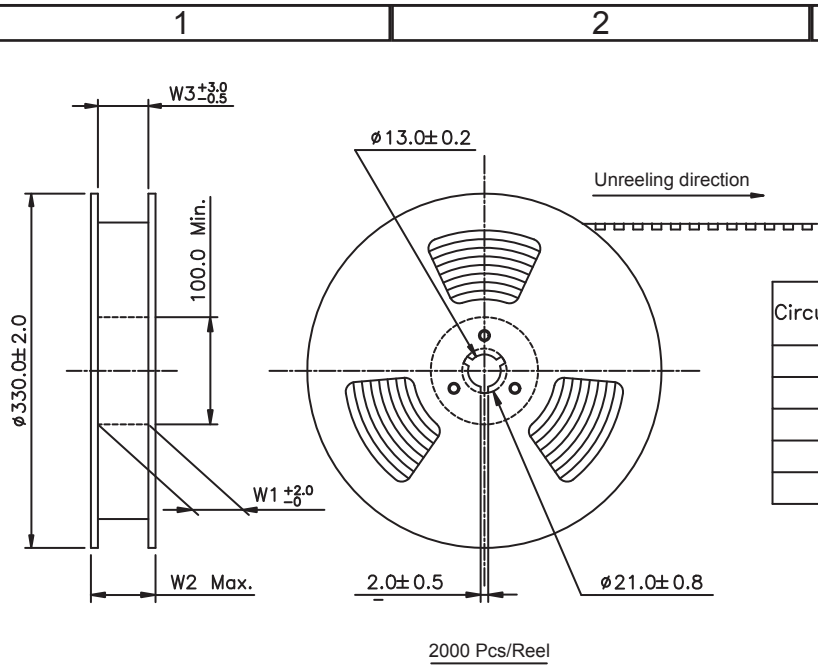
PROJECTION:			
APPROVAL: GMo			

GENERAL TOLERANCE	
.X =	+/- 0.15
.XX =	+/- 0.10

UNIT: MM
SCALE:
SHEET: 1/3
DRAW: AS

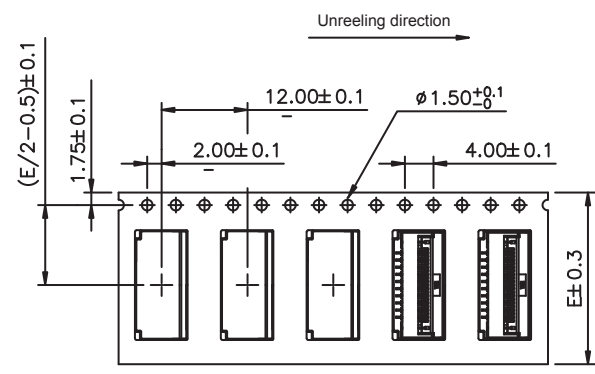
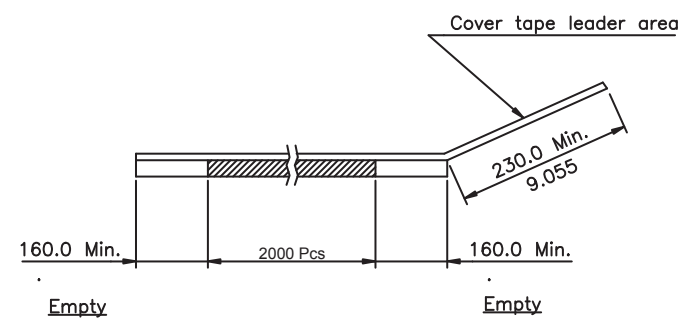
DESCRIPTION: WR-FPC - SMT ZIF HORIZONTAL - BOTTOM CONTACT, 1.00MM HINGE TYPE	
WERI PART NO: 686 1xx 148 922	

SIZE	A4

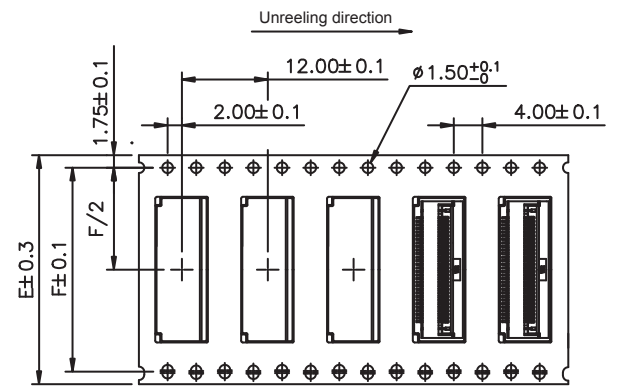


Circuits(1.0mm Pitch)	Dimension					Packing (Reel/Caton)
	E	F	W1	W2	W3	
4	16.0	—	16.5	22.5	16.5	11
5-12	24.0	—	24.5	30.5	24.5	9
13-16	32.0	28.40	32.5	38.5	32.5	7
17-28	44.0	40.40	44.5	50.5	44.5	5
29-32	56.0	52.50	56.5	62.5	56.5	4

2000 Pcs/Reel



WIDTH : 16,24 mm Carrier



WIDTH : 32,44,56 mm Carrier

RoHS Compliant			
G			
F			
E			
D			
C			
B			
A	24-JUL-14	PDF	AS
REV	DATE	FILE	BY

PROJECTION:

APPROVAL: GM

GENERAL TOLERANCE

.X = +/- 0.15

.XX = +/- 0.10

UNIT: MM

SCALE:

SHEET: 2/3

DRAW: AS

DESCRIPTION: WR-PHD SMT ZIF HORIZONTAL - BOTTOM CONTACT, 1.00MM HINGE TYPE

WERI PART NO: 686 1xx 148 922

SIZE
A4

1

2

3

4

5

Cautions and Warnings:

This electronic component is designed and developed with the intention for use in general electronics equipments.

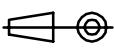

Before incorporating the components into any equipments in the field such as aerospace, aviation, nuclear control, submarine, transportation, (automotive control, train control, ship control), transportation signal, disaster prevention, medical, public information network etc. where higher safety and reliability are especially required or if there is possibility of direct damage or injury to human body, Würth Elektronik must be asked for a written approval.

In addition, even electronic component in general electronic equipments, when used in electrical circuits that require high safety, reliability functions or performance, the sufficient reliability evaluation-check for the safety must be performed before by the user before usage.

A

B

C

RoHS Compliant				PROJECTION: 	GENERAL TOLERANCE .X = +/- 0.2 .XX = +/- 0.15		DESCRIPTION: DISCLAIMER	SIZE A4
G								
F								
E								
D				APPROVAL: JC	UNIT: MM	WERI PART NO: DISCLAIMER	SIZE A4	
C					SCALE:			
B					SHEET: 3/3			
A	10-SEP-14	PDF	QL		DRAW: QL			
REV	DATE	FILE	BY					

D