

3-PHASE BUSBAR INCLUDING EXTENSION CONNECTOR,
FOR 3 CIRCUIT-BREAKERS, SIZE S00 UND S0

| General technical data: | | |
|---|----|--|
| product brand name | | SIRIUS |
| product designation | | 3-phase busbars...em extensi |
| Size of the circuit-breaker | | S00, S0 |
| Design of the product | | for 3 switches |
| Acceptability for application | | circuit-breakers 3RV2 |
| Installation/mounting/dimensions: | | |
| Built in orientation | | any |
| Type of mounting | | snap-on fastening on 35 mm standard rail |
| Width | mm | 136.4 |
| Height | mm | 129 |
| Depth | mm | 58.5 |
| Distance, to be maintained, conductive elements | | |
| • upwards | mm | 10 |
| • backwards | mm | 0 |
| • sideways | mm | 0 |
| Distance, to be maintained, to earthed part | | |
| • upwards | mm | 10 |
| • backwards | mm | 0 |
| • sideways | mm | 0 |

Distance, to be maintained, to the ranks assembly

- upwards
- backwards
- sideways

| | |
|----|----|
| mm | 10 |
| mm | 0 |
| mm | 0 |

Certificates/approvals:

Verification of suitability

CE / UL / CSA / CCC

General Product Approval

Test Certificates



[Manufacturer](#)

Shipping Approval



other

[Manufacturer](#)

[other](#)



Further information:

Information- and Downloadcenter (Catalogs, Brochures,...)

<http://www.siemens.com/industrial-controls/catalogs>

Industry Mall (Online ordering system)

<http://www.siemens.com/industrial-controls/mall>

CAX-Online-Generator

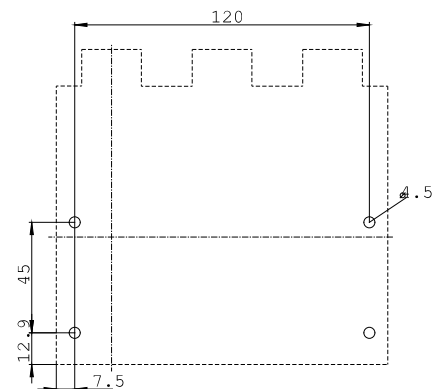
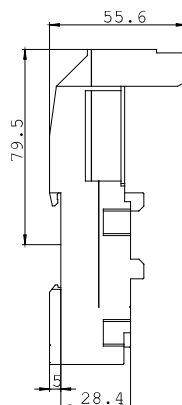
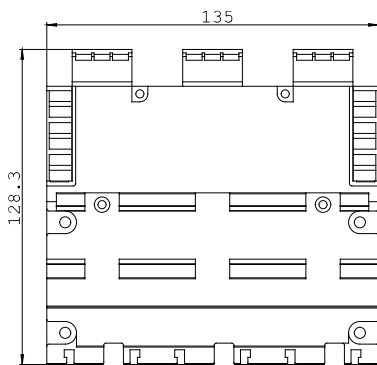
<http://www.siemens.com/cax>

Service&Support (Manuals, Certificates, Characteristics, FAQs,...)

<http://support.automation.siemens.com/WW/view/en/3RV2917-4B/all>

Image database (product images, 2D dimension drawings, 3D models, device circuit diagrams, ...)

http://www.automation.siemens.com/bilddb/cax_en.aspx?mlfb=3RV2917-4B



last change:

Feb 6, 2012