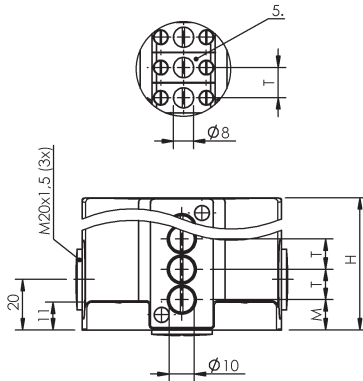
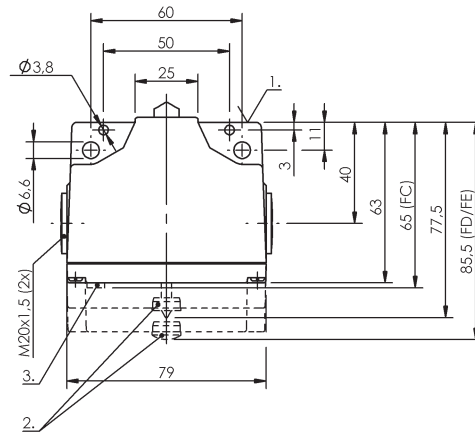


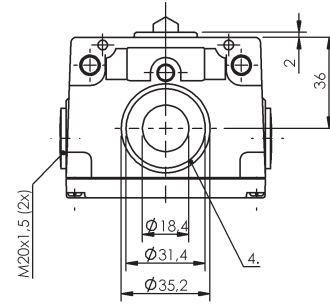
M=12	BNS..61-12..
M=16	BNS..61-16..
M=24	BNS..61-24..
M=30	BNS..61-30..



Gehäuse B/Housing B



Gehäuse B (Standard)/Housing B (Standard)



Gehäuse C/Housing C

1) Reference edge 2) Function indicator FD/FE/LL 3) Function indicator FC 4) Sealing ring 5) Anti-crystall. plunger

- Mech. multiple position
- Snap contact
- Chisel



**General attributes**

Additional features: None  
 Approvals / Conformity: CE, CCC  
 DIN switch: No  
 Enclosure Type per IEC 60529: IP67  
 Function indicator: 1st pos.: none, 2nd pos.: none

**Electrical attributes**

Continuous current: 1st pos.: 6 A, 2nd pos.: 6 A  
 Effective operating voltage Ue: 1st pos.: 250 V AC, 2nd pos.: 250 V AC  
 Switching function mech.: Galvanically isolated, One NO and one NC, Dual output function

**Mechanical attributes**

Ambient temperature Ta max.: 85 °C  
 Ambient temperature Ta min.: -5 °C  
 Approach direction: Lengthwise, par. to mtg. surf.  
 Approach speed: 2nd pos.: 40 m/min, 1st pos.: 40 m/min  
 Connection: 2. screw terminal, 1. screw terminal  
 Connector: None  
 Contact material: 2nd pos.: silver, gold plated, 1st pos.: silver, gold plated  
 Depth: 63.0 mm

Dist. cam to reference edge

Flange feedthrough  
 Height (H)  
 Housing finish: Eloxal  
 Housing material: Aluminum  
 Mech. installation condition: Vertical  
 Mechanical life expectancy: 1st pos.: 30 mil. operations, 2nd pos.: 30 mil. operations

No. of switch positions: 2 ST  
 Operating principle: 2nd pos.: mechanical, 1st pos.: mechanical

Plgr. dist. 1st switch pos.: 12 mm  
 Plunger block: No  
 Plunger diameter: 10.0 mm  
 Plunger material: 2nd pos.: stainless steel, 1st pos.: stainless steel

Plunger style: 1st pos.: Chisel, 2nd pos.: Chisel

Spacing (T): 12 mm  
 Style: 61  
 Switching element: 2nd pos.: BSE 30.0, 1st pos.: BSE 30.0

Switching operation force: 1st pos.: min. 20 N, 2nd pos.: min. 20 N

Switching rate: 2nd pos.: max. 300/min, 1st pos.: max. 300/min

Type: Mech. multiple position  
 Version: Snap contact  
 Width: 79 mm

1st pos.: 5 - 0.5 mm  
 2nd pos.: 5 - 0.5 mm  
 None  
 36.0 mm  
 Eloxal  
 Aluminum  
 Vertical  
 1st pos.: 30 mil. operations  
 2nd pos.: 30 mil. operations  
 2 ST  
 2nd pos.: mechanical  
 1st pos.: mechanical  
 12 mm  
 No  
 10.0 mm  
 2nd pos.: stainless steel  
 1st pos.: stainless steel  
 1st pos.: Chisel  
 2nd pos.: Chisel  
 12 mm  
 61  
 2nd pos.: BSE 30.0  
 1st pos.: BSE 30.0  
 1st pos.: min. 20 N  
 2nd pos.: min. 20 N  
 2nd pos.: max. 300/min  
 1st pos.: max. 300/min  
 Mech. multiple position  
 Snap contact  
 79 mm

Mechanical position switch  
**BNS 819-B02-D12-61-12-10**  
Order code: **BNS026R**

**BALLUFF**  
*sensors worldwide*