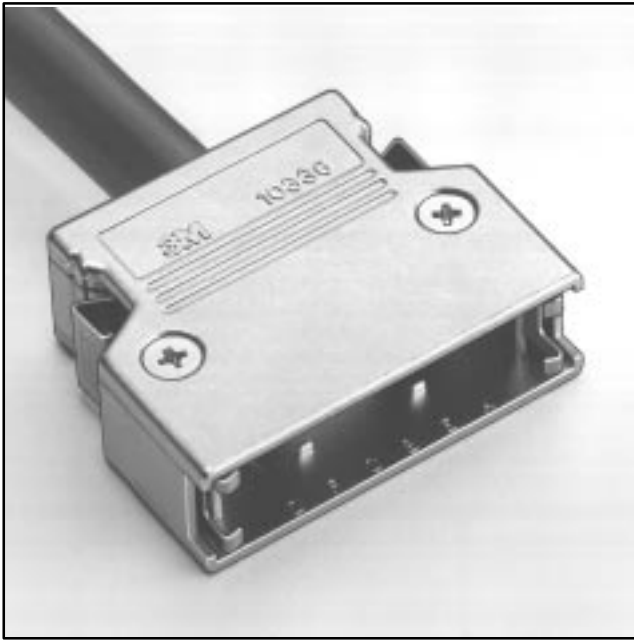


.050" Mini D Ribbon (MDR) Connectors

Metal Junction Shell for Round Cable

103XX-A200 Series



76

- Metal junction shell for round cable
- Rugged two-piece die cast metal shell with round straight exit (compatible with 101XX-6000 EC plug)
- Reliable metal strain relief clamp provides grounding for cable shield
- Excellent EMI/ESD protection
- Quick release latching mechanism
- Positions: 14, 20, 26, 36, 40, 50, 68 and 100

Date Modified: February 19, 1999

TS-0341-06
Sheet 1 of 2

Physical

Shell Material: Aluminum, .050" [1.27 mm] Thick

Shell Plating: Nickel

Marking: 3M Logo and Part Number

3M Interconnect Solutions Division

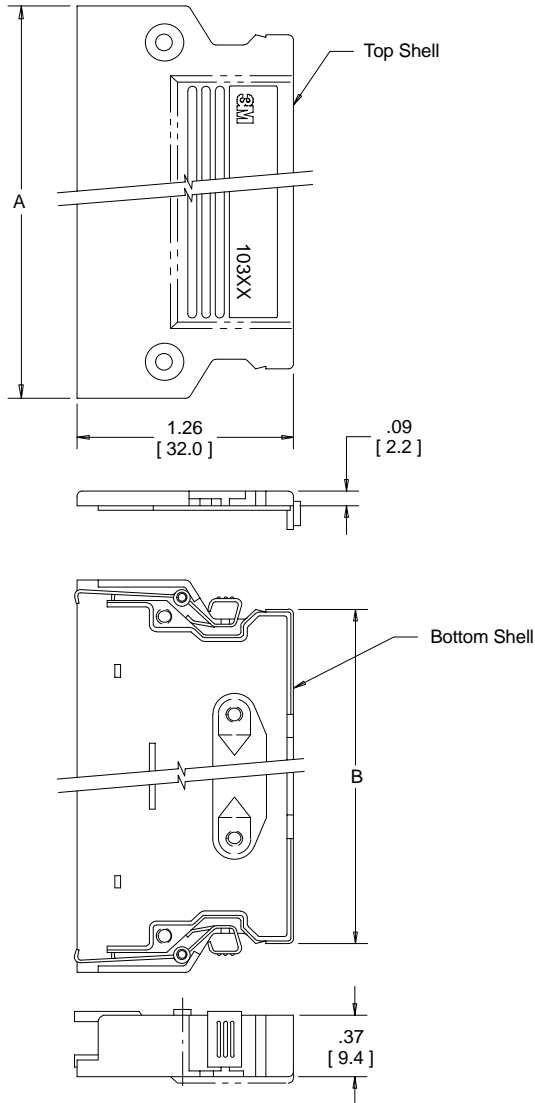
6801 River Place Blvd.
Austin, TX 78726-9000

For technical, sales or ordering information call
800-225-5373

.050" Mini D Ribbon (MDR) Connectors

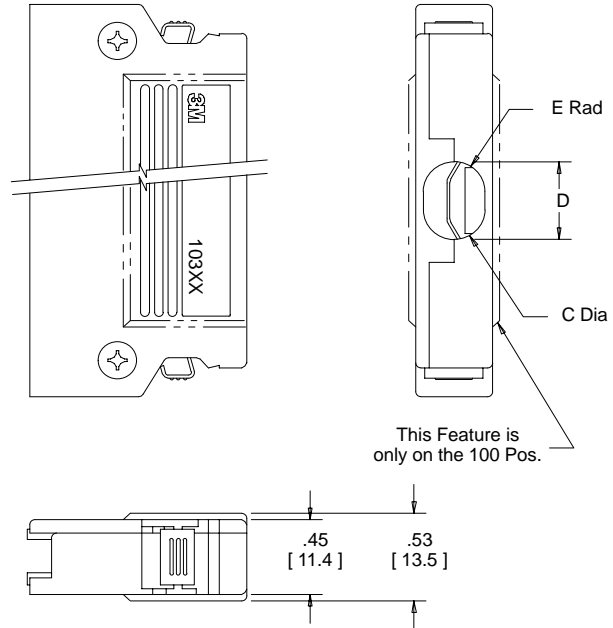
Metal Junction Shell for Round Cable

103XX-A200 Series



Package Contents:

- 1 – Cable Clamp (Plated Steel)
- 2 – M2.6 x 6mm Flat Head Screws
- 2 – M2.6 x 4mm Pan Head Screws
- 2 – Metal Shell Halves
- 2 – Metal Latches



Assembled Junction Shell

Inch
[mm]

Tolerance Unless Noted			
	.0	.00	.000
Inch	±.1	±.01	±.005

[] Dimensions for Reference only

Contact Quantity	Dimensions				
	A	B	C	D	E
14	1.01 [25.8]	.78 [19.9]	.27 [6.8]		
20	1.17 [29.7]	.82 [21.0]	.31 [8.0]		
26	1.32 [33.5]	.97 [24.8]	.33 [8.5]		
36	1.57 [39.8]	1.22 [31.3]	.35 [9.0]		
40	1.67 [42.4]	1.32 [33.7]	.35 [9.0]		
50	1.92 [48.7]	1.57 [40.0]		.39 [10.0]	.18 [4.5]
68	2.37 [60.1]	2.02 [51.4]		.47 [12.0]	.18 [4.5]
100	3.16 [80.2]	2.81 [71.5]		.47 [12.0]	.22 [5.5]

Ordering Information

103XX-A200-00

Contact Quantity
(See Table)

TS-0341-06
Sheet 2 of 2

3M Interconnect Solutions Division

6801 River Place Blvd.
Austin, TX 78726-9000

For technical, sales or ordering information call
800-225-5373