

# Keysight N6700 Modular Power System Family

N6731B-N6786A DC Power Modules  
N6700B-N6705B Mainframes



Specifications Guide

## Legal Notices

© Keysight Technologies 2010 - 2015

No part of this document may be photocopied, reproduced, or translated to another language without the prior agreement and written consent of Keysight Technologies as governed by United States and international copyright laws.

## Warranty

The material contained in this document is provided “as is,” and is subject to being changed, without notice, in future editions. Further, to the maximum extent permitted by applicable law, Keysight disclaims all warranties, either express or implied, with regard to this manual and any information contained herein, including but not limited to the implied warranties of merchantability and fitness for a particular purpose. Keysight shall not be liable for errors or for incidental or consequential damages in connection with the furnishing, use, or performance of this document or of any information contained herein. Should Keysight and the user have a separate written agreement with warranty terms covering the material in this document that conflict with these terms, the warranty terms in the separate agreement shall control.

## Manual Editions

Manual Part Number: N6700-90001  
Edition 8, January 2015  
Available in electronic format only.

Updates of this manual containing minor corrections may have the same edition date. Revised editions are identified by a new edition date.

## Certification

Keysight Technologies certifies that this product met its published specifications at time of shipment from the factory. Keysight Technologies further certifies that its calibration measurements are traceable to the United States National Institute of Standards and Technology, to the extent allowed by the Institute's calibration facility, and to the calibration facilities of other International Standards Organization members.

## Technologies Licenses

The hardware and or software described in this document are furnished under a license and may be used or copied only in accordance with the terms of such license.

## U.S. Government Restricted Rights

Software and technical data rights granted to the federal government include only those rights customarily provided to end user customers. Keysight provides this customary commercial license in Software and technical data pursuant to FAR 12.211 (Technical Data) and 12.212 (Computer Software) and, for the Department of Defense, DFARS 252.227-7015 (Technical Data – Commercial Items) and DFARS 227.7202-3 (Rights in Commercial Computer Software or Computer Software Documentation).

## Declaration of Conformity

Declarations of Conformity for this product and for other Keysight products may be downloaded from the Web. Go to <http://www.keysight.com/go/conformity> and click on “Declarations of Conformity.” You can then search by product number to find the latest Declaration of Conformity.

## Regulatory Symbols



The CE mark shows that the product complies with all applicable European Directives.



The C-Tick mark is a registered trademark of the Australian Communications Authority.



This ISM device complies with Canadian ICES-001.

Cet appareil ISM est conforme à la norme NMB-001 du Canada.



This is the symbol for an Industrial, Scientific and Medical, Group 1 Class A product.



The CSA mark is a registered trademark of Intertek-ettlsemko Inc.



This is the RoHS (Restriction of Hazardous Substances) symbol for electrical and electronic equipment.



This symbol indicates separate collection for electrical and electronic equipment mandated under EU law as of August 13, 2005. All electric and electronic equipment are required to be separated from normal waste for disposal (Reference WEEE Directive 2002/96/EC).

## Where to Find More Information

This document provides specification and supplemental characteristic information for the following instruments:

- Keysight N6731B through N6784A Power Modules
- Keysight N6700B through N6705B Mainframes

For additional technical details and ordering information for the Keysight N6700 Modular Power System Family, refer to the following:

| Document   | Description  |
|--|--|
| <i>Keysight N6700 Modular Power System Family: Low-Profile MPS Mainframe for Automated Test Environments</i> | The Keysight N6700 Low-Profile Modular Power System (MPS) is a 1U (rack unit) high, multiple-output programmable DC power supply system that enables test system integrators to optimize performance, power and price to match test needs. Go to: <a href="http://literature.cdn.keysight.com/litweb/pdf/5989-1411EN.pdf">http:// literature.cdn.keysight.com/litweb/pdf/5989-1411EN.pdf</a>   |
| <i>Keysight N6700 Modular Power System Family: DC Power Analyzer Mainframe for R&amp;D</i>                   | The Keysight N6705 DC Power Analyzer represents an entirely new instrument category for R&D engineers. It provides unrivaled productivity gains when sourcing and measuring DC voltage and current into a DUT. Using the Keysight N6705 DC Power Analyzer, R&D engineers can gain insights into the DUT's power consumption in minutes, with all sourcing and measuring functions available from the front panel. Go to: <a href="http:// literature.cdn.keysight.com/litweb/pdf/5989-6319EN.pdf">http:// literature.cdn.keysight.com/litweb/pdf/5989-6319EN.pdf</a> |
| <i>Keysight N6700 Modular Power System Family: N6780 Series Source/Measure Units</i>                         | The Keysight N6781A/82A/85A/86A 2-quadrant SMUs offer advanced sourcing and measurement capabilities required to overcome test challenges associated with optimizing power consumption and maximizing battery life of battery-powered devices and their components. The Keysight N6784A 4-quadrant SMU offers advanced sourcing and measurement capabilities in four quadrants for general purpose applications. Go to: <a href="http:// literature.cdn.keysight.com/litweb/pdf/5990-5829EN.pdf">http:// literature.cdn.keysight.com/litweb/pdf/5990-5829EN.pdf</a>  |
| <i>Keysight N6700 Modular Power System Family: Battery Charge/Discharge Module</i>                           | The Keysight N6783A-BAT battery charge/discharge module is a basic, 2-quadrant DC power module designed to be used by mobile device designers. Its 2-quadrant operation allows it to act as a programmable power supply to charge the battery or as a programmable electronic load to discharge the battery, all in one instrument. Go to: <a href="http:// literature.cdn.keysight.com/litweb/pdf/5990-8662EN.pdf">http:// literature.cdn.keysight.com/litweb/pdf/5990-8662EN.pdf</a>   |
| <i>Keysight N6700 Modular Power System Family: Mobile Communications DC Power Module</i>                     | The Keysight N6783A-MFG mobile communications DC power module offers advanced features specifically for testing battery-powered (mobile) devices in manufacturing or automated test environments. Go to: <a href="http:// literature.cdn.keysight.com/litweb/pdf/5990-8643EN.pdf">http:// literature.cdn.keysight.com/litweb/pdf/5990-8643EN.pdf</a>   |

### NOTE

You can contact Keysight Technologies at one of the following telephone numbers for warranty, service, or technical support information.

In the United States: (800) 829-4444

In Europe: 31 20 547 2111

In Japan: 0120-421-345

Or use our Web link for information on contacting Keysight in your country or specific location: [www.keysight.com/find/assist](http://www.keysight.com/find/assist)

Or contact your Keysight Technologies Representative.

The web contains the most up to date version of this manual.

Go to <http:// literature.cdn.keysight.com/litweb/pdf/N6700-90001.pdf>.

# Contents

|   |           |
|---|-----------|
| <b>1 - Power Module Differences .....</b>   | <b>5</b>  |
| Power Module Differences–for Keysight N6700 Modular Power System .....            | 6         |
| Power Module Differences–for Keysight N6705 DC Power Analyzer .....               | 8         |
| Power Module Option Characteristics .....   | 10        |
| <b>2 - Keysight N673xB, N674xB, N677xA DC Power Modules .....</b>                 | <b>11</b> |
| Performance Specifications .....  | 12        |
| Supplemental Characteristics .....  | 14        |
| Output Quadrant Characteristic.....   | 17        |
| Arbitrary Waveform Generator Maximum Bandwidth.....                               | 17        |
| <b>3 - Keysight N675xA High Performance Power Modules .....</b>                   | <b>19</b> |
| Performance Specifications .....  | 20        |
| Supplemental Characteristics .....  | 21        |
| Autoranging Characteristic.....   | 23        |
| Output Impedance Graphs.....  | 23        |
| Arbitrary Waveform Generator Maximum Bandwidth.....                               | 26        |
| <b>4 - Keysight N676xA Precision Power Modules .....</b>                          | <b>27</b> |
| Performance Specifications .....  | 28        |
| Supplemental Characteristics .....  | 29        |
| Autoranging Characteristic.....   | 31        |
| Output Impedance Graphs.....  | 31        |
| Arbitrary Waveform Generator Maximum Bandwidth.....                               | 33        |
| <b>5 - Keysight N678xA Source/Measure Units.....</b>                              | <b>35</b> |
| Performance Specifications .....  | 36        |
| Supplemental Characteristics .....  | 38        |
| Output Quadrant Characteristic.....   | 43        |
| Output Impedance Graphs.....  | 44        |
| Voltage Programming Response .....  | 46        |
| Measurement Accuracy and Resolution.....  | 48        |
| <b>6 - Keysight N6783A-BAT, N6783A-MFG Application-Specific Power Modules ...</b> | <b>49</b> |
| Performance Specifications .....  | 50        |
| Supplemental Characteristics .....  | 51        |
| Output Quadrant Characteristic.....   | 52        |
| <b>7 - Keysight N6700 Modular Power System Mainframes.....</b>                    | <b>53</b> |
| Supplemental Characteristics .....  | 54        |
| Outline Diagrams.....   | 56        |

# Chapter 1

## Power Module Differences

|  |    |
|--|----|
| Power Module Differences–for Keysight N6700 Modular Power System ..... | 6  |
| Power Module Differences–for Keysight N6705 DC Power Analyzer .....    | 8  |
| Power Module Option Characteristics .....                              | 10 |

This chapter provides a brief overview of the basic differences between the Keysight N6700 series DC Power Modules. Note that the basic capabilities of a power module depend not only on its hardware capabilities, but also the on the hardware and firmware capabilities of the mainframe in which it is installed.

In addition to their primary output and measurement capabilities, power modules installed in a Keysight N6705 DC Power Analyzer have expanded capabilities such as front panel scope view, arbitrary waveform generation, and internal and external data logging.

Refer to the Keysight N6700 or N6705 User's Guide for more information about the power module capabilities.

# Power Module Differences—for Keysight N6700 Modular Power Systems

## Keysight N6731B–N6777A Differences

| Feature<br>(● = available)  | DC Power<br>N673xB, N674xB,<br>N677xA | High-Performance<br>N675xA | Precision<br>N676xA |
|---|---------------------------------------|----------------------------|---------------------|
| 50 W output rating  | N6731B – N6736B                       | N6751A                     | N6761A              |
| 100 W output rating   | N6741B – N6746B                       | N6752A                     | N6762A              |
| 300 W output rating   | N6773A – N6777A                       | N6753A, N6754A             | N6763A, N6764A      |
| 500 W output rating   |                                       | N6755A, N6756A             | N6765A, N6766A      |
| Output disconnect relays  | Option 761                            | Option 761                 | Option 761          |
| Output disconnect/polarity reversal relays<br><small>NOTE 1</small> | Option 760                            | Option 760                 | Option 760          |
| Autoranging output capability                                       |                                       | ●                          | ●                   |
| Voltage or current turn-on priority                                 |                                       |                            | N6761A, N6762A      |
| Precision voltage and current measurements                          |                                       |                            | ●                   |
| Low voltage and low current output range                            |                                       |                            | N6761A, N6762A      |
| Low voltage and low current measurement range                       |                                       |                            | ●                   |
| 200 microampere measurement range <small>NOTE 2</small>             |                                       |                            | Option 2UA          |
| Simultaneous voltage and current measurements                       |                                       |                            | ●                   |
| SCPI command output list capability <small>NOTE 3</small>           | Option 054                            | Option 054                 | ●                   |
| SCPI command array readback <small>NOTE 3</small>                   | Option 054                            | Option 054                 | ●                   |
| SCPI command programmable sample rate<br><small>NOTE 3</small>      | Option 054                            | Option 054                 | ●                   |
| SCPI command external data logging <small>NOTE 3</small>            | Option 054                            | Option 054                 | ●                   |
| Double-wide (occupies 2 channel locations)                          |                                       | N6753A – N6756A            | N6763A – N6766A     |

<sup>1</sup> Option 760 limits the output current to 10A maximum on Models N6742B and N6773A.

Option 760 is not available on Models N6741B, N6751A, N6752A, N6761A, and N6762A.

<sup>2</sup> Option 2UA is only available on Models N6761A and N6762A. It includes Option 761.

<sup>3</sup> Only available when using the remote interfaces; not from the front panel.

## Keysight N6781A–N6786A Differences

| Feature<br>(● = available)                               | Source/Measure Units (SMU) |        |        |        |        | Application-Specific |               |
|--|----------------------------|--------|--------|--------|--------|----------------------|---------------|
|  | N6781A                     | N6782A | N6784A | N6785A | N6786A | N6783A<br>BAT        | N6783A<br>MFG |
| Output rating  | 20 W                       | 20 W   | 20 W   | 80 W   | 80 W   | 24 W                 | 18 W          |
| 2-quadrant operation                                     | ●                          | ●      |        | ●      | ●      | ●                    | ●             |
| 4-quadrant operation                                     |                            |        | ●      |        |        |                      |               |
| Auxiliary voltage measurement input                      | ●                          |        |        | ●      |        |                      |               |
| Output disconnect relays                                 | ●                          | ●      | ●      | ●      | ●      | Option 761           | Option 761    |
| Negative voltage protection                              | ●                          | ●      | ●      | ●      | ●      | ●                    | ●             |
| Voltage or current priority mode                         | ●                          | ●      | ●      | ●      | ●      |                      |               |
| Programmable output resistance                           | ●                          |        |        | ●      |        |                      |               |
| Multiple voltage output ranges                           | 3                          | 3      | 3      | 4      | 4      |                      |               |
| Multiple current output ranges                           | 3                          | 3      | 4      | 4      | 4      |                      |               |
| Multiple voltage measurement ranges                      | 3                          | 3      | 3      |        |        |                      |               |
| Multiple current measurement ranges                      | 4                          | 4      | 4      | 3      | 3      | 2                    | 2             |
| Simultaneous voltage and current measurements            | ●                          | ●      | ●      | ●      | ●      |                      |               |
| Seamless measurement autoranging                         | ●                          | ●      |        | ●      | ●      |                      |               |
| SCPI command output list capability <sup>NOTE 1, 2</sup> | ●                          | ●      | ●      | ●      | ●      | ●                    | ●             |
| SCPI command array readback <sup>NOTE 2</sup>            | ●                          | ●      | ●      | ●      | ●      | ●                    | ●             |
| SCPI command programmable sample rate <sup>NOTE 2</sup>  | ●                          | ●      | ●      | ●      | ●      | ●                    | ●             |
| SCPI command external data logging <sup>NOTE 2</sup>     | ●                          | ●      | ●      | ●      | ●      | ●                    | ●             |
| Double-wide (occupies 2 channel locations)               |                            |        |        | ●      | ●      |                      |               |

<sup>1</sup> List capability is not available on the negative current output on Model N6783A.

<sup>2</sup> Only available when using the remote interfaces; not the front panel.

# Power Module Differences—for Keysight N6705 DC Power Analyzers

## Keysight N6731B–N6777A Differences

| Feature<br>(● = available)                                      | DC Power<br>N673xB, N674xB,<br>N677xA | High-Performance<br>N675xA | Precision<br>N676xA |
|---|---------------------------------------|----------------------------|---------------------|
| 50 W output rating  | N6731B – N6736B                       | N6751A                     | N6761A              |
| 100 W output rating   | N6741B – N6746B                       | N6752A                     | N6762A              |
| 300 W output rating   | N6773A – N6777A                       | N6753A, N6754A             | N6763A, N6764A      |
| 500 W output rating   |                                       | N6755A, N6756A             | N6765A, N6766A      |
| Output disconnect relays  | Option 761                            | Option 761                 | Option 761          |
| Output disconnect/polarity reversal relays <sup>NOTE 1</sup>    | Option 760                            | Option 760                 | Option 760          |
| Arbitrary waveform generation                                   | ●                                     | ●                          | ●                   |
| Autoranging output capability                                   |                                       | ●                          | ●                   |
| Voltage or current turn-on priority                             |                                       |                            | N6761A, N6762A      |
| Precision voltage and current measurements                      |                                       |                            | ●                   |
| Low voltage and low current output range                        |                                       |                            | N6761A, N6762A      |
| Low voltage and low current measurement range                   |                                       |                            | ●                   |
| 200 microampere measurement range <sup>NOTE 2</sup>             |                                       |                            | Option 2UA          |
| Voltage or current scope traces                                 | ●                                     | ●                          | ●                   |
| Simultaneous voltage and current scope traces                   |                                       |                            | ●                   |
| Simultaneous voltage and current data logging <sup>NOTE 3</sup> |                                       |                            | ●                   |
| Interleaved voltage and current data logging <sup>NOTE 3</sup>  | ●                                     | ●                          |                     |
| Dynamic current correction                                      | ●                                     | N6751A, N6752A             | N6761A, N6762A      |
| SCPI command output list capability <sup>NOTE 4</sup>           | ●                                     | ●                          | ●                   |
| SCPI command array readback <sup>NOTE 4</sup>                   | ●                                     | ●                          | ●                   |
| SCPI command programmable sample rate <sup>NOTE 4</sup>         | ●                                     | ●                          | ●                   |
| SCPI command external data logging <sup>NOTE 4</sup>            | ●                                     | ●                          | ●                   |
| Double-wide (occupies 2 channel locations)                      |                                       | N6753A – N6756A            | N6763A – N6766A     |

<sup>1</sup> Option 760 limits the output current to 10A maximum on Models N6742B and N6773A.

Option 760 is not available on Models N6741B, N6751A, N6752A, N6761A, and N6762A.

<sup>2</sup> Option 2UA is only available on Models N6761A and N6762A. It includes Option 761.

<sup>3</sup> Option 055 deletes the Data Logger function on Model N6705.

<sup>4</sup> Only available when using the remote interfaces; not from the front panel.



## Keysight N6781A–N6786A Differences

| Feature<br>(● = available)                                      | Source/Measure Units (SMU) |        |        |        |        | Application-Specific |               |
|---|----------------------------|--------|--------|--------|--------|----------------------|---------------|
|   | N6781A                     | N6782A | N6784A | N6785A | N6786A | N6783A<br>BAT        | N6783A<br>MFG |
| Output rating   | 20 W                       | 20 W   | 20 W   | 80 W   | 80 W   | 24 W                 | 18 W          |
| 2-quadrant operation  | ●                          | ●      |        | ●      | ●      | ●                    | ●             |
| 4-quadrant operation  |                            |        | ●      |        |        |                      |               |
| Auxiliary voltage measurement input                             | ●                          |        |        | ●      |        |                      |               |
| Output disconnect relays  | ●                          | ●      | ●      | ●      | ●      | Option 761           | Option 761    |
| Arbitrary waveform generation <sup>NOTE 1</sup>                 | ●                          | ●      | ●      | ●      | ●      | ●                    | ●             |
| Negative voltage protection                                     | ●                          | ●      | ●      | ●      | ●      | ●                    | ●             |
| Voltage or current priority mode                                | ●                          | ●      | ●      | ●      | ●      |                      |               |
| CC load/CV load   | ●                          | ●      | ●      | ●      | ●      |                      |               |
| Voltage/current measurement only                                | ●                          | ●      | ●      | ●      | ●      |                      |               |
| Battery emulator/charger  | ●                          |        |        | ●      |        |                      |               |
| Programmable output resistance                                  | ●                          |        |        | ●      |        |                      |               |
| Multiple voltage output ranges                                  | 3                          | 3      | 3      | 4      | 4      |                      |               |
| Multiple current output ranges                                  | 3                          | 3      | 4      | 4      | 4      |                      |               |
| Multiple voltage measurement ranges                             | 3                          | 3      | 3      |        |        |                      |               |
| Multiple current measurement ranges                             | 4                          | 4      | 4      | 3      | 3      | 2                    | 2             |
| Voltage or current scope traces                                 | ●                          | ●      | ●      | ●      | ●      | ●                    | ●             |
| Simultaneous voltage and current measurements                   | ●                          | ●      | ●      | ●      | ●      |                      |               |
| Simultaneous voltage and current data logging <sup>NOTE 2</sup> | ●                          | ●      | ●      | ●      | ●      |                      |               |
| Interleaved voltage and current data logging <sup>NOTE 2</sup>  |                            |        |        |        |        | ●                    | ●             |
| Seamless measurement autoranging                                | ●                          | ●      |        | ●      | ●      |                      |               |
| SCPI command output list capability <sup>NOTE 1, 3</sup>        | ●                          | ●      | ●      | ●      | ●      | ●                    | ●             |
| SCPI command array readback <sup>NOTE 3</sup>                   | ●                          | ●      | ●      | ●      | ●      | ●                    | ●             |
| SCPI command programmable sample rate <sup>NOTE 3</sup>         | ●                          | ●      | ●      | ●      | ●      | ●                    | ●             |
| SCPI command external data logging <sup>NOTE 3</sup>            | ●                          | ●      | ●      | ●      | ●      | ●                    | ●             |
| SCPI command histogram measurements <sup>NOTE 3</sup>           | ●                          | ●      |        | ●      | ●      |                      |               |
| Double-wide (occupies 2 channel locations)                      |                            |        |        | ●      | ●      |                      |               |

<sup>1</sup> Arbitrary waveform generation and list capability are not available on the negative current output on Model N6783A.

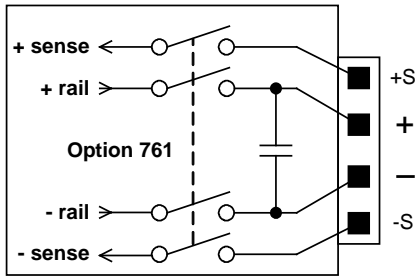
<sup>2</sup> Option 055 deletes the Data Logger function on Model N6705.

<sup>3</sup> Only available when using the remote interfaces; not the front panel.

# Power Module Option Characteristics

## Option 760 & 761

Option 761 provides output and sense disconnect relays. Option 760 provides polarity reversal in addition to output and sense disconnect. Note that models N678xA SMU have output and sense disconnect relays built in.



- Option 760 limits the output current to 10 A on Models N6742B and N6773A.

- Option 760 is not available on Models N6741B, N6751A, N6752A, N6761A, N6762A, and N6781A – N6786A

Although the plus and minus rail of the output power mesh are physically disconnected from the output terminals with options 760 and 761, a small AC network is still connected across the plus and minus output terminals (see figure).

## Option 054

Option 054 (High-speed Test Extensions) include output list and digitized measurement capability. This option is separately orderable for Models N673xB, N674xB, N677xA, and N675xA when installed in an N6700 MPS mainframes. All other power modules as well as the N6705 DC Power Analyzer mainframes have output list and digitized measurement capability built in.

Output list:

- Maximum number of steps = 512
- Maximum dwell time in seconds = 262
- Maximum list repetitions = 256 or infinite

Digitized measurement:

- Maximum measurement points = 524,288
- Maximum sample rate = 97.656 kHz

## Option 2UA

Option 2UA is a 200 microampere measurement range available on Models N6761A and N6762A only. It includes Option 761 relay capability.

# Chapter 2

## Keysight N673xB, N674xB, N677xA DC Power Modules

|   |    |
|---|----|
| Performance Specifications .....                    | 12 |
| Supplemental Characteristics .....                  | 14 |
| Output Quadrant Characteristic.....                 | 17 |
| Arbitrary Waveform Generator Maximum Bandwidth..... | 17 |

Unless otherwise noted, specifications are warranted over the ambient temperature range of 0 to 40°C after a 30-minute warm-up period. Specifications apply at the output terminals, with each module's sense terminals internally connected to its output terminals (local sensing).

Refer to the Keysight N6700 or N6705 Service Guide for the setup conditions for all performance specifications.

Supplemental characteristics are not warranted but are descriptions of performance determined either by design or by type testing. All supplemental characteristics are typical unless otherwise noted.

## Performance Specifications (N6731B-N6746B)

|  | N6731B/<br>N6741B                    | N6732B/<br>N6742B                    | N6733B/<br>N6743B | N6734B/<br>N6744B | N6735B/<br>N6745B | N6736B/<br>N6746B |
|--|--------------------------------------|--------------------------------------|-------------------|-------------------|-------------------|-------------------|
| <b>DC Output Ratings:</b>  |                                      |                                      |                   |                   |                   |                   |
| Voltage  | 0 - 5 V                              | 0 - 8 V                              | 0 - 20 V          | 0 - 35 V          | 0 - 60 V          | 0 - 100 V         |
| Current <sup>NOTE 1</sup>  | 0-10 A / 0-20 A                      | 0-6.25 A / 0-12.5 A                  | 0-2.5 A / 0-5 A   | 0-1.5 A / 0-3 A   | 0-0.8 A / 0-1.6 A | 0-0.5 A / 0-1 A   |
| Power  | 50 W / 100 W                         | <sup>NOTE 2</sup><br>50 W / 100 W    | 50 W / 100 W      | 52.5W / 105W      | 50 W / 100 W      | 50 W / 100 W      |
| <b>Output Ripple and Noise (PARD):</b><br>(from 20 Hz - 20 MHz)  |                                      |                                      |                   |                   |                   |                   |
| CV peak-to- peak   | 10 mV / 20 mV                        | 12 mV                                | 14 mV             | 15 mV             | 25 mV             | 30 mV             |
| CV rms   | 2 mV                                 | 2 mV                                 | 3 mV              | 5 mV              | 9 mV              | 18 mV             |
| <b>Load Effect (Regulation):</b><br>(Applies for any output load change, with a maximum load-lead drop of 1V/lead.<br>The load lead drop reduces the maximum available voltage at the load.) |                                      |                                      |                   |                   |                   |                   |
| Voltage  | 5 mV                                 | 6 mV                                 | 9 mV              | 11 mV             | 13 mV / 16 mV     | 20 mV / 30 mV     |
| Current  | 2 mA                                 | 2 mA                                 | 2 mA              | 2 mA              | 2 mA              | 2 mA              |
| <b>Source Effect (Regulation):</b>   |                                      |                                      |                   |                   |                   |                   |
| Voltage  | 1 mV                                 | 2 mV                                 | 2 mV              | 4 mV              | 6 mV              | 10 mV             |
| Current  | 1 mA                                 | 1 mA                                 | 1 mA              | 1 mA              | 1 mA              | 1 mA              |
| <b>Programming Accuracy:</b><br>(@ 23 °C ±5 °C after a 30 minute warm-up. Applies from minimum to maximum programming range at any load.)  |                                      |                                      |                   |                   |                   |                   |
| Voltage  | 0.1% + 19 mV                         | 0.1% + 19 mV                         | 0.1% + 20 mV      | 0.1% + 35 mV      | 0.1% + 60 mV      | 0.1% + 100 mV     |
| Current  | 0.15% + 20 mA                        | 0.15% + 20 mA                        | 0.15% + 20 mA     | 0.15% + 20 mA     | 0.15% + 20 mA     | 0.15% + 10mA      |
| <b>Voltmeter/Ammeter Measurement Accuracy:</b><br>(@ 23 °C ±5 °C. Applies when measuring the default value of 1024 data points with a 20.48 μs time interval.)                               |                                      |                                      |                   |                   |                   |                   |
| Voltage  | 0.1% + 20 mV                         | 0.1% + 20 mV                         | 0.1% + 20 mV      | 0.1% + 35 mV      | 0.1% + 60 mV      | 0.1% + 100 mV     |
| Current  | 0.15% + 20 mA                        | 0.15% + 10 mA                        | 0.15% + 5 mA      | 0.15% + 4 mA      | 0.15% + 4 mA      | 0.15% + 2 mA      |
| <b>Load Transient Recovery Time:</b><br>(Time to recover to within the settling band following a load change from 50% to 100% and from 100% to 50% of full load.)                            |                                      |                                      |                   |                   |                   |                   |
| Voltage settling band  | <sup>NOTE 3</sup><br>±0.08 V / 0.1 V | <sup>NOTE 3</sup><br>±0.08 V / 0.1 V | ± 0.2 V / 0.3 V   | ± 0.2 V / 0.3 V   | ± 0.4 V / 0.5 V   | ± 0.5 V / 1.0 V   |
| Time   | < 200 μs                             | < 200 μs                             | < 200 μs          | < 200 μs          | < 200 μs          | < 200 μs          |

## Performance Specifications (N6773A-N6777A)

|  | N6773A                     | N6774A                    | N6775A        | N6776A        | N6777A        |
|--|----------------------------|---------------------------|---------------|---------------|---------------|
| <b>DC Output Ratings:</b>  |                            |                           |               |               |               |
| Voltage  | 0 - 20 V                   | 0 - 35 V                  | 0 - 60 V      | 0 - 100 V     | 0 - 150 V     |
| Current <sup>NOTE 1</sup>  | 0 - 15 A <sup>NOTE 2</sup> | 0 - 8.5 A                 | 0 - 5 A       | 0 - 3 A       | 0 - 2 A       |
| Power  | 300 W                      | 300 W                     | 300 W         | 300 W         | 300 W         |
| <b>Output Ripple and Noise (PARD):</b><br>(from 20 Hz - 20 MHz)  |                            |                           |               |               |               |
| CV peak-to- peak   | 20 mV                      | 22 mV                     | 35 mV         | 45 mV         | 68 mV         |
| CV rms   | 3 mV                       | 5 mV                      | 9 mV          | 18 mV         | 27 mV         |
| <b>Load Effect (Regulation):</b><br>(Applies for any output load change, with a maximum load-lead drop of 1V/lead.<br>The load lead drop reduces the maximum available voltage at the load.) |                            |                           |               |               |               |
| Voltage  | 13 mV                      | 16 mV                     | 24 mV         | 45 mV         | 68 mV         |
| Current  | 6 mA                       | 6 mA                      | 6 mA          | 6 mA          | 6 mA          |
| <b>Source Effect (Regulation):</b>   |                            |                           |               |               |               |
| Voltage  | 2 mV                       | 4 mV                      | 6 mV          | 10 mV         | 15 mV         |
| Current  | 1 mA                       | 1 mA                      | 1 mA          | 1 mA          | 1 mA          |
| <b>Programming Accuracy:</b><br>(@ 23 °C ±5 °C after 30 minute warm-up. Applies from minimum to maximum programming range at any load.)  |                            |                           |               |               |               |
| Voltage  | 0.1% + 20 mV               | 0.1% + 35 mV              | 0.1% + 60 mV  | 0.1% + 100 mV | 0.1% + 150 mV |
| Current  | 0.15% + 60 mA              | 0.15% + 60 mA             | 0.15% + 60 mA | 0.15% + 30 mA | 0.15% + 30 mA |
| <b>Voltmeter/Ammeter Measurement Accuracy:</b><br>(@ 23 °C ±5 °C. Applies when measuring the default value of 1024 data points with a 20.48 μs time interval.)                               |                            |                           |               |               |               |
| Voltage  | 0.1% + 20 mV               | 0.1% + 35 mV              | 0.1% + 60 mV  | 0.1% + 100 mV | 0.1% + 150 mV |
| Current  | 0.15% + 15 mA              | 0.15% + 12 mA             | 0.15% + 12 mA | 0.15% + 6 mA  | 0.15% + 6 mA  |
| <b>Load Transient Recovery Time:</b><br>(Time to recover to within the settling band following a load change from 50% to 100% and from 100% to 50% of full load.)                            |                            |                           |               |               |               |
| Voltage settling band  | ± 0.3 V <sup>NOTE 4</sup>  | ± 0.3 V <sup>NOTE 4</sup> | ± 0.5 V       | ± 1.0 V       | ± 2.0 V       |
| Time   | < 250 μs                   | < 250 μs                  | < 250 μs      | < 250 μs      | < 250 μs      |

<sup>1</sup> Output current is derated 1% per °C above 40°C.

<sup>2</sup> When relay option 760 is installed on Models N6742B and N6773A, the output current is limited to 10 A.

<sup>3</sup> When relay option 760 or 761 is installed, the settling band is ±0.10V/0.125 V.  
Option 760 is not available on Model N6741B.

<sup>4</sup> When relay option 760 or 761 is installed, the settling band is ±0.35 V.

## Supplemental Characteristics (N6731B-N6746B)

|   | N6731B/<br>N6741B   | N6732B/<br>N6742B                  | N6733B/<br>N6743B                | N6734B/<br>N6744B               | N6735B/<br>N6745B                  | N6736B/<br>N6746B                  |
|---|---|------------------------------------|----------------------------------|---------------------------------|------------------------------------|------------------------------------|
| <b>Programming Ranges:</b>  |   |                                    |                                  |                                 |                                    |                                    |
| Voltage   | 15 mV – 5.1 V   | 15 mV – 8.16 V                     | 30 mV – 20.4 V                   | 40 mV – 35.7 V                  | 70 mV – 61.2 V                     | 100 mV – 102 V                     |
| Current   | 60 mA – 10.2A/<br>60 mA – 20.4 A  | 40 mA –6.375 A/<br>40 mA – 12.75 A | 10 mA – 2.55 A/<br>10 mA – 5.1 A | 5 mA – 1.53 A/<br>5 mA – 3.06 A | 2.5 mA – 0.85 A/<br>2.5 mA – 1.7 A | 1.5 mA – 0.51A/<br>1.5 mA – 1.02 A |
| <b>Programming Resolution:</b>  |   |                                    |                                  |                                 |                                    |                                    |
| Voltage   | 3.5 mV  | 4 mV                               | 7 mV                             | 10 mV                           | 18 mV                              | 28 mV                              |
| Current   | 7 mA  | 4 mA                               | 3 mA                             | 2 mA                            | 1 mA                               | 0.5 mA                             |
| <b>Measurement Resolution:</b>  |   |                                    |                                  |                                 |                                    |                                    |
| Voltage   | 3 mV  | 4 mV                               | 10 mV                            | 18 mV                           | 30 mV                              | 50 mV                              |
| Current   | 10 mA   | 7 mA                               | 3 mA                             | 2 mA                            | 1 mA                               | 0.5 mA                             |
| <b>Programming Temperature Coefficient per °C:</b>  |   |                                    |                                  |                                 |                                    |                                    |
| Voltage   | 0.005% +0.1mV   | 0.005% + 0.1 mV                    | 0.005% + 0.2 mV                  | 0.005% + 0.5 mV                 | 0.005% + 0.5 mV                    | 0.005% + 1 mV                      |
| Current   | 0.005% + 1 mA   | 0.005% + 0.5 mA                    | 0.005% + 0.1 mA                  | 0.005% +0.05mA                  | 0.005% +0.02mA                     | 0.005% +0.02mA                     |
| <b>Measurement Temperature Coefficient per °C:</b>  |   |                                    |                                  |                                 |                                    |                                    |
| Voltage   | 0.01% + 0.1mV   | 0.01% + 0.1 mV                     | 0.01% + 0.2 mV                   | 0.01% + 0.2 mV                  | 0.01% + 0.5 mV                     | 0.01% + 0.5 mV                     |
| Current   | 0.01% + 1 mA  | 0.01% + 0.5 mA                     | 0.01% + 0.1 mA                   | 0.01% + 0.05 mA                 | 0.01% + 0.02 mA                    | 0.01% + 0.02 mA                    |
| <b>Measurement Small Signal Bandwidth: (– 3 db typical)</b>   |   |                                    |                                  |                                 |                                    |                                    |
| Voltage   | 25 kHz  | 25 kHz                             | 25 kHz                           | 25 kHz                          | 25 kHz                             | 25 kHz                             |
| Correction On <sup>NOTE 1</sup>   | 10 kHz  | 10 kHz                             | 10 kHz                           | 10 kHz                          | 10 kHz                             | 10 kHz                             |
| Current <sup>NOTE 2</sup>   | 25 kHz  | 25 kHz                             | 25 kHz                           | 25 kHz                          | 25 kHz                             | 25 kHz                             |
| Correction On <sup>NOTE 1</sup>   | 2 kHz   | 2 kHz                              | 2 kHz                            | 2 kHz                           | 2 kHz                              | 2 kHz                              |
| <b>N6705 Mainframe Oscilloscope Measurement Accuracy: (@t 23 °C ±5 °C; accuracy of any individual point in the trace)</b>   |   |                                    |                                  |                                 |                                    |                                    |
| Voltage   | 0.1% + 25 mV  | 0.1% + 30 mV                       | 0.1% + 45 mV                     | 0.1% + 75 mV                    | 0.1% + 130 mV                      | 0.1% + 190 mV                      |
| Current   | 0.15% + 70mA  | 0.15% + 40 mA                      | 0.15% + 20 mA                    | 0.15% + 14 mA                   | 0.15% + 12 mA                      | 0.15% + 7 mA                       |
| Correction On <sup>NOTE 1</sup>   | 0.15% + 50 mA   | 0.15% + 30 mA                      | 0.15% + 15 mA                    | 0.15% + 10 mA                   | 0.15% + 9 mA                       | 0.15% + 5 mA                       |
| <b>Up-programming and Down-programming Time with full resistive load:</b><br>(Time from 10% to 90% of total voltage excursion; for voltage setting from 0V to full scale and full scale to 0V)                        |   |                                    |                                  |                                 |                                    |                                    |
|   | 20 ms   | 20 ms                              | 20 ms                            | 20 ms                           | 20 ms                              | 20 ms                              |
| <b>Up-programming and Down-programming Settling Time with full resistive load:</b><br>(Time from start of voltage change to 0.1% of full-scale value; for voltage setting from 0V to full scale and full scale to 0V) |   |                                    |                                  |                                 |                                    |                                    |
|   | 100 ms  | 100 ms                             | 100 ms                           | 100 ms                          | 100 ms                             | 100 ms                             |
| <b>Over-voltage Protection:</b>   |   |                                    |                                  |                                 |                                    |                                    |
| Accuracy  | 0.25% + 50mV  | 0.25% + 50 mV                      | 0.25% + 75 mV                    | 0.25% + 100 mV                  | 0.25% + 200 mV                     | 0.25% + 250 mV                     |
| With Option. 760  | 0.25%+600mV   | 0.25% + 600 mV                     | 0.25% + 350 mV                   | 0.25% + 250 mV                  | 0.25% + 300 mV                     | 0.25% + 300 mV                     |
| With Option. 761  | 0.25%+600mV   | 0.25% + 600 mV                     | 0.25% + 350 mV                   | 0.25% + 250 mV                  | 0.25% + 300 mV                     | 0.25% + 300 mV                     |
| Maximum setting   | 7.5 V   | 10 V                               | 22 V                             | 38.5 V                          | 66 V                               | 110 V                              |
| Response time   | 50 μs from occurrence of over-voltage condition to start of output shutdown |                                    |                                  |                                 |                                    |                                    |

### Supplemental Characteristics (continued)

|  | N6731B/<br>N6741B   | N6732B/<br>N6742B | N6733B/<br>N6743B | N6734B/<br>N6744B | N6735B/<br>N6745B | N6736B/<br>N6746B |
|--|---|-------------------|-------------------|-------------------|-------------------|-------------------|
| <b>Output Ripple and Noise (PARD):</b>   |   |                   |                   |                   |                   |                   |
| CC rms   | 8 mA  | 4 mA              | 2 mA              | 2 mA              | 2 mA              | 2 mA              |
| <b>Common Mode Noise:</b> (from 20 Hz – 20 MHz; from either output to chassis)   |   |                   |                   |                   |                   |                   |
| Rms  | 1 mA  | 1 mA              | 1 mA              | 1 mA              | 1 mA              | 1 mA              |
| Peak-to- peak  | < 15 mA   | < 10 mA           | < 10 mA           | < 10 mA           | < 10 mA           | < 10 mA           |
| <b>Remote Sense Capability:</b>  | Outputs can maintain specifications with up to a 1-volt drop per load lead. The load lead drop reduces the maximum available voltage at the load. |                   |                   |                   |                   |                   |
| <b>Series and Parallel Operation:</b>  | Identically rated outputs can be operated directly in parallel or can be connected for straight series operation.                                 |                   |                   |                   |                   |                   |
| <b>Minimum Output Turn-On Delay:</b> (Time from when any Output On command is received until the output starts turning on) |   |                   |                   |                   |                   |                   |
| Without relay  | 32 ms   | 32 ms             | 32 ms             | 32 ms             | 32 ms             | 32 ms             |
| With Option 760  | 58 ms   | 58 ms             | 58 ms             | 58 ms             | 58 ms             | 58 ms             |

<sup>1</sup> Correction On compensates for current flowing into the output capacitor during voltage transients.

<sup>2</sup> Stated values apply when the load resistance is at or close to zero. To determine the frequency for larger resistance values, refer to the User's Guide under "Measurement System Bandwidth".

### Supplemental Characteristics (N6773A-N6777A)

|   | N6773A         | N6774A         | N6775A          | N6776A          | N6777A          |
|---|----------------|----------------|-----------------|-----------------|-----------------|
| <b>Programming Ranges:</b>                                  |                |                |                 |                 |                 |
| Voltage   | 30 mV – 20.4 V | 40 mV – 35.7 V | 70 mV – 61.2 V  | 100 mV– 102 V   | 145 mV –153 V   |
| Current   | 30 mA – 15.3 A | 15 mA – 8.67 A | 7.5 mA – 5.1 A  | 4.5 mA– 3.06 A  | 2.75mA–2.04 A   |
| <b>Programming Resolution:</b>                              |                |                |                 |                 |                 |
| Voltage   | 7 mV           | 10 mV          | 18 mV           | 28 mV           | 43 mV           |
| Current   | 9 mA           | 6 mA           | 3 mA            | 1.5 mA          | 1 mA            |
| <b>Measurement Resolution:</b>                              |                |                |                 |                 |                 |
| Voltage   | 10 mV          | 18 mV          | 30 mV           | 50 mV           | 77 mV           |
| Current   | 9 mA           | 6 mA           | 3 mA            | 1.5 mA          | 1 mA            |
| <b>Programming Temperature Coefficient per °C:</b>          |                |                |                 |                 |                 |
| Voltage   | 0.01% + 0.2 mV | 0.01% + 0.5 mV | 0.01% + 0.5 mV  | 0.01% + 1 mV    | 0.01% + 1 mV    |
| Current   | 0.01% + 0.5 mA | 0.01% + 0.5 mA | 0.01% + 0.1 mA  | 0.01% + 0.1 mA  | 0.01% + 0.1 mA  |
| <b>Measurement Temperature Coefficient per °C:</b>          |                |                |                 |                 |                 |
| Voltage   | 0.01% + 0.2 mV | 0.01% + 0.2 mV | 0.01% + 0.5 mV  | 0.01% + 0.5 mV  | 0.01% + 0.5 mV  |
| Current   | 0.01% + 0.5 mA | 0.01% + 0.5 mA | 0.01% + 0.05 mA | 0.01% + 0.05 mA | 0.01% + 0.05 mA |
| <b>Measurement Small Signal Bandwidth:</b> (– 3 db typical) |                |                |                 |                 |                 |
| Voltage   | 25 kHz         | 25 kHz         | 25 kHz          | 25 kHz          | 25 kHz          |
| Correction On <sup>NOTE 1</sup>                             | 10 kHz         | 10 kHz         | 10 kHz          | 10 kHz          | 10 kHz          |
| Current <sup>NOTE 2</sup>                                   | 25 kHz         | 25 kHz         | 25 kHz          | 25 kHz          | 25 kHz          |
| Correction On <sup>NOTE 1</sup>                             | 2 kHz          | 2 kHz          | 2 kHz           | 2 kHz           | 2 kHz           |

### Supplemental Characteristics (continued)

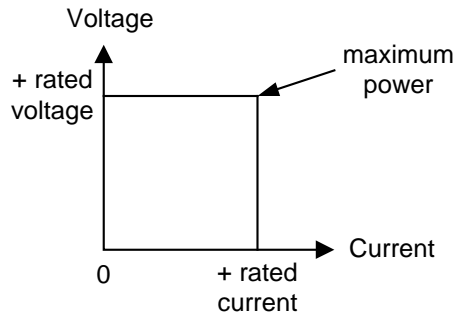
|   | N6773A   | N6774A         | N6775A         | N6776A         | N6777A         |
|---|--|----------------|----------------|----------------|----------------|
| <b>N6705 Mainframe Oscilloscope Measurement Accuracy:</b> (@ 23 °C ±5 °C; accuracy of any individual point in the trace)  |  |                |                |                |                |
| Voltage   | 0.1% + 45 mV   | 0.1% + 75 mV   | 0.1% + 120 mV  | 0.1% + 160 mV  | 0.1% + 175 mV  |
| Current   | 0.15% + 45 mA  | 0.15% + 27 mA  | 0.15% + 22 mA  | 0.15% + 12 mA  | 0.15% + 12 mA  |
| Correction On <sup>NOTE 1</sup>   | 0.15% + 35 mA  | 0.15% + 22 mA  | 0.15% + 19 mA  | 0.15% + 9 mA   | 0.15% + 9 mA   |
| <b>Up-programming and Down-programming Time with full resistive load:</b><br>(Time from 10% to 90% of total voltage excursion; for voltage setting from 0V to full scale and full scale to 0V)                                |  |                |                |                |                |
|   | 20 ms  | 20 ms          | 20 ms          | 20 ms          | 20 ms          |
| <b>Maximum Up-programming and Down-programming Settling Time with full resistive load:</b><br>(Time from start of voltage change to 0.1% of full-scale value; for voltage setting from 0V to full scale and full scale to 0V) |  |                |                |                |                |
|   | 100 ms   | 100 ms         | 100 ms         | 100 ms         | 100 ms         |
| <b>Over-voltage Protection:</b>   |  |                |                |                |                |
| Accuracy  | 0.25% +100 mV  | 0.25% + 130 mV | 0.25% + 260 mV | 0.25% + 650 mV | 0.25% + 650 mV |
| With Option. 761  | 0.25% + 500 mV   | 0.25% + 350 mV | 0.25% + 350 mV | 0.25% + 650 mV | 0.25% + 650 mV |
| With Option. 760  | 0.25% + 700 mV   | 0.25% + 700 mV | 0.25% + 400 mV | 0.25% + 650 mV | 0.25% + 650 mV |
| Maximum setting   | 22 V   | 38.5 V         | 66 V           | 110 V          | 165 V          |
| Response time   | 50 μs from occurrence of over-voltage condition to start of output shutdown  |                |                |                |                |
| <b>Output Ripple and Noise (PARD):</b>  |  |                |                |                |                |
| CC rms  | 6 mA   | 6 mA           | 6 mA           | 6 mA           | 6 mA           |
| <b>Common Mode Noise:</b> (from 20 Hz – 20 MHz; from either output to chassis)  |  |                |                |                |                |
| Rms   | 2 mA   | 2 mA           | 2 mA           | 2 mA           | 2 mA           |
| Peak-to- peak   | < 20 mA  | < 20 mA        | < 20 mA        | < 20 mA        | < 20 mA        |
| <b>Remote Sense Capability:</b>   | Outputs can maintain specifications with up to a 1-volt drop per load lead.<br>The load lead drop reduces the maximum available voltage at the load. |                |                |                |                |
| <b>Series and Parallel Operation:</b>   | Identically rated outputs can be operated directly in parallel or can be connected for straight series operation.                                    |                |                |                |                |
| <b>Minimum Output Turn-On Delay:</b> (Time from when any Output On command is received until the output starts turning on)  |  |                |                |                |                |
| Without relay   | 32 ms  | 32 ms          | 32 ms          | 32 ms          | 32 ms          |
| With Option 760   | 58 ms  | 58 ms          | 58 ms          | 58 ms          | 58 ms          |

<sup>1</sup> Correction On compensates for current flowing into the output capacitor during voltage transients.

<sup>2</sup> Stated values apply when the load resistance is at or close to zero. To determine the frequency for larger resistance values, refer to the User's Guide under "Measurement System Bandwidth".



## Output Quadrant Characteristic



## Arbitrary Waveform Generator Maximum Bandwidth

### NOTE

The information in this section only applies when the power modules are installed in a Keysight N6705 DC Power Analyzer.

The following tables characterize the maximum bandwidth of the arbitrary waveform generator. The maximum bandwidth is based on a sine wave into a resistive load and applies to any output current. The following definitions apply in the frequency tables:

- V<sub>p-p</sub> = Voltage peak-to-peak
- 3 dB max. = Max. frequency where the voltage drops to 3 dB below its setting
- 6 dB max. = Max. frequency where the voltage drops to 6 dB below its setting
- THD 3 dB = The total harmonic distortion at 3 dB max. frequency
- THD 6 dB = The total harmonic distortion at 6 dB max. frequency

| Voltage                    | 3 dB max | THD 3 dB | 6 dB max | THD 6 dB |
|----------------------------|----------|----------|----------|----------|
| <b>N6731B &amp; N6741B</b> |          |          |          |          |
| 0.1 V <sub>p-p</sub>       | 175 Hz   | 1.0%     | 260 Hz   | 3.0%     |
| 0.1 V <sub>p-p</sub>       | 125 Hz   | 1.0%     | 175 Hz   | 3.0%     |
| 0.3 V <sub>p-p</sub>       | 75 Hz    | 6.0%     | 100 Hz   | 6.0%     |
| 0.5 V <sub>p-p</sub>       | 40 Hz    | 9.0%     | 55 Hz    | 9.0%     |
| 5.0 V <sub>p-p</sub>       | 20 Hz    | 10%      | 37 Hz    | 10%      |
| <b>N6732B &amp; N6742B</b> |          |          |          |          |
| 0.1 V <sub>p-p</sub>       | 125 Hz   | 1.0%     | 200 Hz   | 3.0%     |
| 0.2 V <sub>p-p</sub>       | 125 Hz   | 1.0%     | 180 Hz   | 3.0%     |
| 0.4 V <sub>p-p</sub>       | 75 Hz    | 6.0%     | 100 Hz   | 6.0%     |
| 0.8 V <sub>p-p</sub>       | 40 Hz    | 8.5%     | 60 Hz    | 8.5%     |
| 8.0 V <sub>p-p</sub>       | 20 Hz    | 10%      | 37 Hz    | 10%      |

Arbitrary Waveform Generator Maximum Bandwidth (continued)

| Voltage              | 3 dB max                   | THD 3 dB | 6 dB max | THD 6 dB | 3 dB max      | THD 3 dB | 6 dB max | THD 6 dB |
|----------------------|----------------------------|----------|----------|----------|---------------|----------|----------|----------|
|                      | <b>N6733B &amp; N6743B</b> |          |          |          | <b>N6773A</b> |          |          |          |
| 0.2 V <sub>p-p</sub> | 110 Hz                     | 1.0%     | 190 Hz   | 3.0%     | 125 Hz        | 1.5%     | 210 Hz   | 4.0%     |
| 0.4 V <sub>p-p</sub> | 110 Hz                     | 1.0%     | 160 Hz   | 3.0%     | 125 Hz        | 1.5%     | 180 Hz   | 4.0%     |
| 1.0 V <sub>p-p</sub> | 72 Hz                      | 6.0%     | 95 Hz    | 6.0%     | 75 Hz         | 6.0%     | 95 Hz    | 6.0%     |
| 2.0 V <sub>p-p</sub> | 40 Hz                      | 8.0%     | 55 Hz    | 8.5%     | 42 Hz         | 9.0%     | 60 Hz    | 9.0%     |
| 20 V <sub>p-p</sub>  | 20 Hz                      | 10%      | 37 Hz    | 10%      | 20 Hz         | 10%      | 37 Hz    | 10%      |
|                      | <b>N6734B &amp; N6744B</b> |          |          |          | <b>N6774A</b> |          |          |          |
| 0.4 V <sub>p-p</sub> | 125 Hz                     | 1.0%     | 200 Hz   | 1.0%     | 125 Hz        | 1.0%     | 200 Hz   | 1.0%     |
| 0.7 V <sub>p-p</sub> | 125 Hz                     | 1.0%     | 175 Hz   | 3.5%     | 125 Hz        | 1.0%     | 160 Hz   | 3.0%     |
| 1.8 V <sub>p-p</sub> | 72 Hz                      | 6.0%     | 100 Hz   | 6.0%     | 75 Hz         | 6.0%     | 95 Hz    | 6.0%     |
| 3.5 V <sub>p-p</sub> | 40 Hz                      | 8.0%     | 55 Hz    | 8.5%     | 40 Hz         | 8.5%     | 55 Hz    | 8.5%     |
| 35 V <sub>p-p</sub>  | 20 Hz                      | 8.0%     | 37 Hz    | 8.5%     | 20 Hz         | 10%      | 37 Hz    | 10%      |
|                      | <b>N6735B &amp; N6745B</b> |          |          |          | <b>N6775A</b> |          |          |          |
| 0.6 V <sub>p-p</sub> | 100 Hz                     | 1.0%     | 180 Hz   | 1.0%     | 120 Hz        | 1.0%     | 200 Hz   | 1.0%     |
| 1.2 V <sub>p-p</sub> | 100 Hz                     | 1.0%     | 160 Hz   | 3.0%     | 120 Hz        | 1.0%     | 160 Hz   | 3.0%     |
| 3.0 V <sub>p-p</sub> | 70 Hz                      | 5.5%     | 92 Hz    | 5.5%     | 70 Hz         | 5.0%     | 95 Hz    | 6.0%     |
| 6.0 V <sub>p-p</sub> | 40 Hz                      | 8.0%     | 55 Hz    | 8.0%     | 40 Hz         | 8.5%     | 55 Hz    | 8.5%     |
| 60 V <sub>p-p</sub>  | 20 Hz                      | 8.0%     | 37 Hz    | 8.0%     | 20 Hz         | 10%      | 35 Hz    | 10%      |
|                      | <b>N6736B &amp; N6746B</b> |          |          |          | <b>N6776A</b> |          |          |          |
| 1.0 V <sub>p-p</sub> | 90 Hz                      | 1.0%     | 160 Hz   | 1.5%     | 75 Hz         | 1.0%     | 160 Hz   | 1.0%     |
| 2.0 V <sub>p-p</sub> | 90 Hz                      | 1.0%     | 150 Hz   | 3.0%     | 75 Hz         | 1.0%     | 150 Hz   | 3.0%     |
| 5.0 V <sub>p-p</sub> | 62 Hz                      | 4.5%     | 85 Hz    | 6.0%     | 55 Hz         | 4.0%     | 75 Hz    | 6.0%     |
| 10 V <sub>p-p</sub>  | 37 Hz                      | 8.0%     | 50 Hz    | 8.0%     | 35 Hz         | 8.0%     | 45 Hz    | 8.0%     |
| 100 V <sub>p-p</sub> | 20 Hz                      | 8.0%     | 35 Hz    | 8.0%     | N/A           | N/A      | 35 Hz    | 8.0%     |
|                      |                            |          |          |          | <b>N6777A</b> |          |          |          |
| 1.5 V <sub>p-p</sub> |                            |          |          |          | 70 Hz         | 1.0%     | 150 Hz   | 1.0%     |
| 3.0 V <sub>p-p</sub> |                            |          |          |          | 55 Hz         | 5.0%     | 120 Hz   | 2.0%     |
| 7.5 V <sub>p-p</sub> |                            |          |          |          | 55 Hz         | 5.0%     | 70 Hz    | 6.0%     |
| 15 V <sub>p-p</sub>  |                            |          |          |          | 35 Hz         | 7.0%     | 55 Hz    | 7.0%     |
| 150 V <sub>p-p</sub> |                            |          |          |          | N/A           | N/A      | 30 Hz    | 1.0%     |

# Chapter 3

## Keysight N675xA High Performance Power Modules

|   |    |
|---|----|
| Performance Specifications .....                    | 20 |
| Supplemental Characteristics .....                  | 21 |
| Autoranging Characteristic.....                     | 23 |
| Output Impedance Graphs.....                        | 23 |
| Arbitrary Waveform Generator Maximum Bandwidth..... | 26 |

Unless otherwise noted, specifications are warranted over the ambient temperature range of 0 to 40°C after a 30-minute warm-up period. Specifications apply at the output terminals, with each module's sense terminals internally connected to its output terminals (local sensing).

Refer to the Keysight N6700 or N6705 Service Guide for the setup conditions for all performance specifications.

Supplemental characteristics are not warranted but are descriptions of performance determined either by design or by type testing. All supplemental characteristics are typical unless otherwise noted.

# Performance Specifications

|  | N6751A/N6752A             | N6753A/N6755A             | N6754A/N6756A             |
|--|---------------------------|---------------------------|---------------------------|
| <b>DC Output Ratings:</b>  |                           |                           |                           |
| Voltage  | 0 - 50 V                  | 0 - 20 V                  | 0 - 60 V                  |
| Current <sup>NOTE 1</sup>  | 0 - 5 A / 0 - 10 A        | 0 - 50 A                  | 0 - 20 A / 0 - 17A        |
| Power  | 50 W / 100 W              | 300 W / 500 W             | 300 W / 500 W             |
| <b>Output Ripple and Noise (PARD):</b><br>(from 20 Hz – 20 MHz)  |                           |                           |                           |
| CV peak-to-peak  | 4.5 mV                    | 5 mV                      | 6 mV                      |
| CV rms   | 0.35 mV                   | 1 mV                      | 1 mV                      |
| <b>Load Effect (Regulation):</b><br>(Applies for any output load change, with a maximum load-lead drop of 1V/lead.<br>The load lead drop reduces the maximum available voltage at the load.)   |                           |                           |                           |
| Voltage  | 2 mV                      | 2 mV                      | 2 mV                      |
| Current  | 2 mA                      | 12 mA                     | 5 mA                      |
| <b>Source Effect (Regulation):</b>   |                           |                           |                           |
| Voltage  | 1 mV                      | 0.5 mV                    | 1.2 mV                    |
| Current  | 1 mA                      | 5 mA                      | 2 mA                      |
| <b>Programming Accuracy:</b><br>(@ 23 °C ±5 °C after 30 minute warm-up. Applies from minimum to maximum programming range at any load.)  |                           |                           |                           |
| Voltage  | 0.06% + 19 mV             | 0.06% + 10 mV             | 0.06% + 25 mV             |
| Current  | 0.1% + 20 mA              | 0.1% + 30 mA              | 0.1% + 12 mA              |
| <b>Voltmeter/Ammeter Measurement Accuracy:</b><br>(@ 23 °C ±5 °C. Applies when measuring the default value of 1024 data points with a 20.48 μs time interval.)   |                           |                           |                           |
| Voltage  | 0.05% + 20 mV             | 0.05% + 10 mV             | 0.05% + 25 mV             |
| Current  | 0.1% + 4 mA               | 0.1% + 30 mA              | 0.1% + 8 mA               |
| <b>Load Transient Recovery Time:</b><br>(Time to recover to within the settling band following a load change<br>- from 60% to 100% and from 100% to 60% of full load for model N6751A<br>- from 50% to 100% and from 100% to 50% of full load for models N6752A through N6756A.) |                           |                           |                           |
| Voltage settling band  | ± 75 mV <sup>NOTE 2</sup> | ± 30 mV <sup>NOTE 3</sup> | ± 90 mV <sup>NOTE 4</sup> |
| Time   | < 100 μs                  | < 100 μs                  | < 100 μs                  |

<sup>1</sup> Output current is derated 1% per °C above 40°C.

<sup>2</sup> When relay option 761 is installed on Model N6752A, the settling band is ±125 mV.

<sup>3</sup> When relay option 760 or 761 is installed on Model N6753A and N6755A, the settling band is ±200 mV.

<sup>4</sup> When relay option 760 or 761 is installed on Model N6754A and N6756A, the settling band is ±350 mV.

## Supplemental Characteristics

|   | N6751A / N6752A            | N6753A / N6755A        | N6754A / N6756A              |
|---|----------------------------|------------------------|------------------------------|
| <b>Programming Ranges:</b>  |                            |                        |                              |
| Voltage   | 20 mV – 51 V               | 10 mV – 20.4 V         | 25 mV– 61.2 V                |
| Current   | 10 mA – 5.1A/10 mA – 10.2A | 50 mA – 51 A           | 20 mA – 20.4 A/20 mA – 17.3A |
| <b>Programming Resolution:</b>  |                            |                        |                              |
| Voltage   | 3.5 mV                     | 1.5 mV                 | 4.2 mV                       |
| Current   | 3.25 mA                    | 16.3 mA                | 6.5 mA                       |
| <b>Measurement Resolution:</b>  |                            |                        |                              |
| Voltage   | 1.8 mV                     | 0.8 mV                 | 2.2 mV                       |
| Current   | 410 $\mu$ A                | 2.05 mA                | 0.82 mA                      |
| <b>Programming Temperature Coefficient per °C:</b>  |                            |                        |                              |
| Voltage   | 18 ppm + 160 $\mu$ V       | 35 ppm + 100 $\mu$ V   | 35 ppm + 170 $\mu$ V         |
| Current   | 100 ppm + 45 $\mu$ A       | 60 ppm + 500 $\mu$ A   | 60 ppm + 200 $\mu$ A         |
| <b>Measurement Temperature Coefficient per °C:</b>  |                            |                        |                              |
| Voltage   | 25 ppm + 35 $\mu$ V        | 50 ppm + 85 $\mu$ V    | 50 ppm + 100 $\mu$ V         |
| Current   | 60 ppm + 3 $\mu$ A         | 60 ppm + 30 $\mu$ A    | 60 ppm + 12 $\mu$ A          |
| <b>Measurement Small Signal Bandwidth: (– 3 db typical)</b>   |                            |                        |                              |
| Voltage   | 10 kHz                     | 10 kHz                 | 10 kHz                       |
| Correction On <sup>NOTE 1</sup>   | 10 kHz                     | -                      | -                            |
| Current <sup>NOTE 2</sup>   | 10 kHz                     | 10 kHz                 | 10 kHz                       |
| Correction On <sup>NOTE 1</sup>   | 2 kHz                      | -                      | -                            |
| <b>N6705 Mainframe Oscilloscope Measurement Accuracy: (@ 23 °C <math>\pm</math>5 °C, accuracy of any individual point in the trace)</b> |                            |                        |                              |
| Voltage   | 0.05% + 32 mV              | 0.05% + 15 mV          | 0.05% + 37 mV                |
| Current   | 0.1% + 8 mA                | 0.1% + 52 mA           | 0.1% + 17 mA                 |
| Correction On <sup>NOTE 1</sup>   | 0.1% + 14 mA               | -                      | -                            |
| <b>Up-programming Time with full resistive load: (Time from 10% to 90% of total voltage excursion)</b>                                  |                            |                        |                              |
| Small voltage step  | 0 V to 10 V                | 0 V to 6 V/0 V to 10 V | 0 V to 15 V/0 V to 29 V      |
| Time  | 0.2 ms                     | 0.4 ms/0.5 ms          | 0.35 ms/0.7 ms               |
| Large voltage step  | 0 V to 50 V                | 0 V to 20 V            | 0 V to 60 V                  |
| Time  | 1.5 ms                     | 1.5 ms                 | 2 ms                         |
| <b>Up-programming Settling Time with full resistive load: (Time from start of voltage change to 0.1% of full scale value)</b>           |                            |                        |                              |
| Small voltage step  | 0 V to 10 V                | 0 V to 6 V/0 V to 10 V | 0 V to 15 V/0 V to 29 V      |
| Time  | 0.5 ms                     | 0.8 ms/1.0 ms          | 0.8 ms/1.4 ms                |
| Large voltage step  | 0 V to 50 V                | 0 V to 20 V            | 0 V to 60 V                  |
| Time  | 4 ms                       | 3 ms                   | 4.2 ms                       |
| <b>Down-programming Time with no load: (Time from start of voltage change to output voltage &lt; 0.5 V)</b>                             |                            |                        |                              |
| Small voltage step  | 10 V to 0 V                | 6 V to 0 V/10 V to 0 V | 15 V to 0 V/29 V to 0 V      |
| Time  | 0.3 ms                     | 0.55 ms/1.0 ms         | 0.6 ms/1.2 ms                |
| Large voltage step  | 50 V to 0 V                | 20 V to 0 V            | 60 V to 0 V                  |
| Time  | 1.3 ms                     | 1.8 ms                 | 2.2 ms                       |

## Supplemental Characteristics (continued)

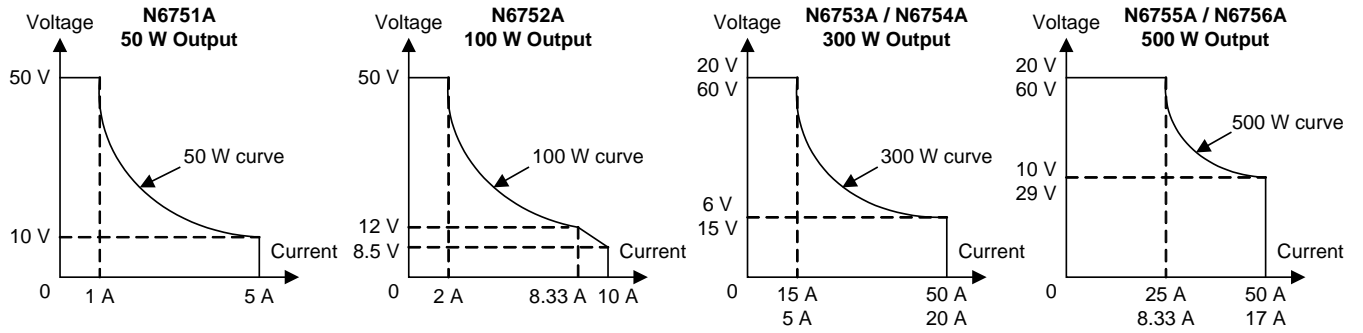
|  | N6751A / N6752A  | N6753A / N6755A        | N6754A / N6756A         |
|--|--|------------------------|-------------------------|
| <b>Down-programming Settling Time with no load:</b> (Time from start of voltage change to 0.1% of full scale value)        |  |                        |                         |
| Small voltage step   | 10 V to 0 V  | 6 V to 0 V/10 V to 0 V | 15 V to 0 V/29 V to 0 V |
| Time   | 0.45 ms  | 0.8 ms/1.3 ms          | 0.8 ms/1.5 ms           |
| Large voltage step   | 50 V to 0 V  | 20 V to 0 V            | 60 V to 0 V             |
| Time   | 1.4 ms   | 2 ms                   | 2.3 ms                  |
| <b>Down-programming Time with Capacitive load:</b> (Time from start of voltage change to output voltage < 0.5 V)           |  |                        |                         |
| Small voltage step   | 10 V to 0 V  | 6 V to 0 V/10 V to 0 V | 15 V to 0 V/29 V to 0 V |
| Time   | 2.1 ms   | 2.2 ms/4.5 ms          | 2.3 ms/5.5 ms           |
| Large voltage step   | 50 V to 0 V  | 20 V to 0 V            | 60 V to 0 V             |
| Time   | 11 ms  | 8.5 ms                 | 10 ms                   |
| Capacitive load <sup>NOTE 3</sup>  | 1000 $\mu$ F   | 4700 $\mu$ F           | 680 $\mu$ F             |
| <b>Down-programming Capability:</b>  |  |                        |                         |
| Continuous power   | 7 W  | 12.5 W                 | 12.5 W                  |
| Peak current   | 7 A  | 15 A                   | 6 A                     |
| <b>Over-voltage Protection:</b>  |  |                        |                         |
| Accuracy   | 0.25% + 0.25 V   | 0.25% + 0.15V          | 0.25% + 0.3V            |
| Accuracy with Option 761   | 0.25% + 0.25 V   | 0.25% + 0.45V          | 0.25% + 0.6V            |
| Accuracy with Option 760   | -  | 0.25% + 0.45V          | 0.25% + 0.6V            |
| Maximum setting  | 55 V   | 22 V                   | 66 V                    |
| Response time  | 50 $\mu$ s from occurrence of over-voltage condition to start of output shutdown   |                        |                         |
| <b>Output Ripple and Noise: (PARD)</b>   |  |                        |                         |
| CC rms:  | 2 mA   | 10 mA                  | 4 mA                    |
| <b>Common Mode Noise: (from 20 Hz – 20 MHz; from either output to chassis)</b>   |  |                        |                         |
| rms  | 500 $\mu$ A  | 500 $\mu$ A            | 750 $\mu$ A             |
| peak-to-peak   | < 2 mA   | < 2 mA                 | < 3 mA                  |
| <b>Remote Sense Capability:</b>  | Outputs can maintain specifications with up to a 1-volt drop per load lead.<br>The load lead drop reduces the maximum available voltage at the load. |                        |                         |
| <b>Series and Parallel Operation:</b>  | Identically rated outputs can be operated directly in parallel<br>or can be connected for straight series operation..                                |                        |                         |
| <b>Minimum Output Turn-On Delay:</b> (Time from when any Output On command is received until the output starts turning on) |  |                        |                         |
| Without relay option   | 25 ms  | 18 ms                  | 18 ms                   |
| With relay Option 760  | 51 ms  | 44 ms                  | 44 ms                   |

<sup>1</sup> Correction On compensates for current flowing into the output capacitor during voltage transients.

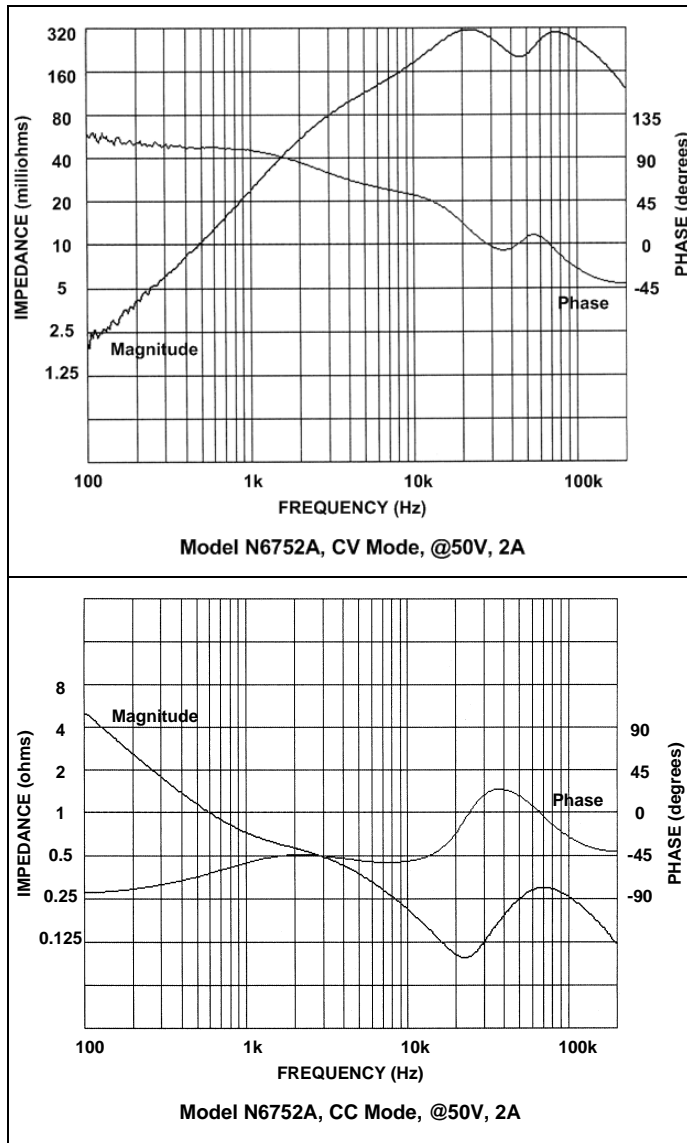
<sup>2</sup> Stated values apply when the load resistance is at or close to zero. To determine the frequency for larger resistance values, refer to the User's Guide under "Measurement System Bandwidth".

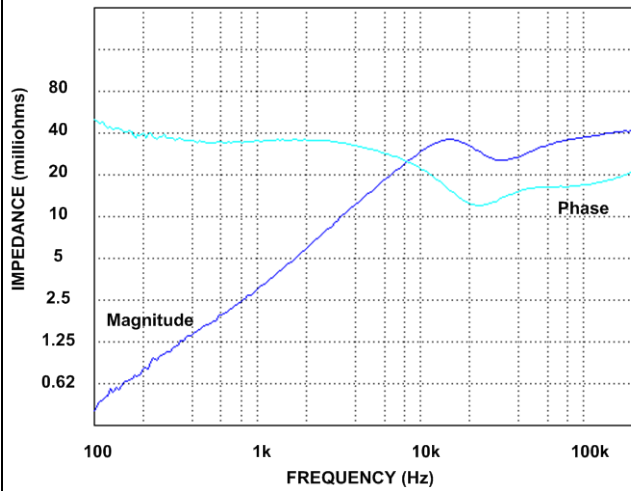
<sup>3</sup> Modules can discharge the specified capacitive load from full scale to 0V at a rate of 4 times/second.

# Autoranging Characteristic

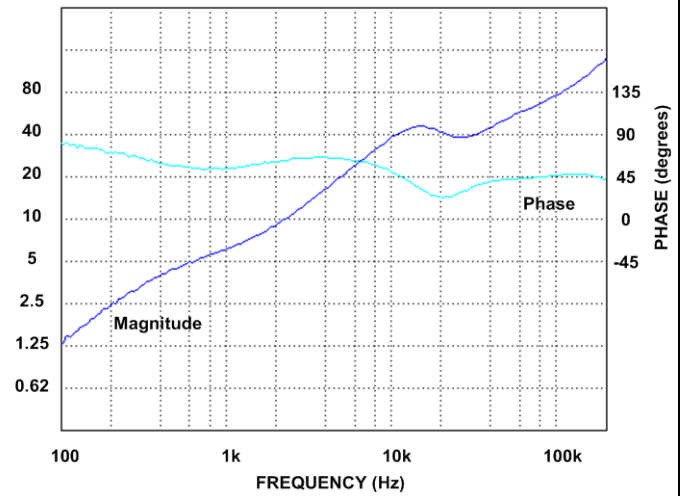


# Output Impedance Graphs

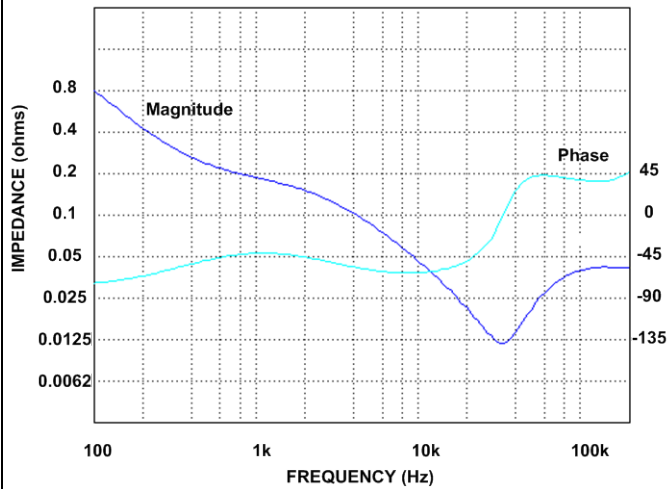




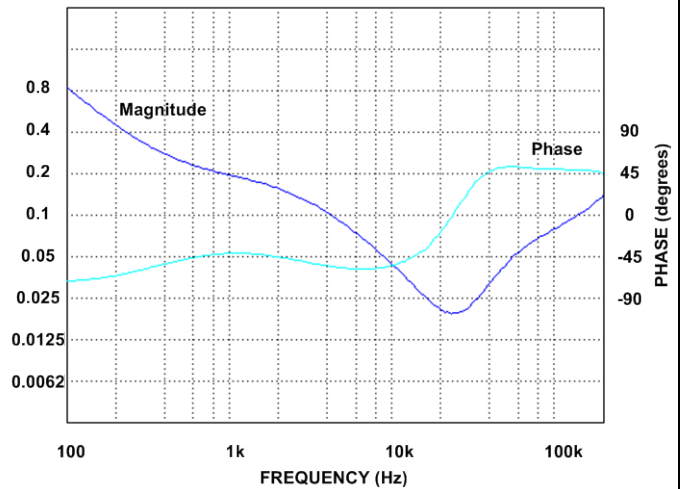
Model N6753A and N6755A, CV Mode, @20 V, 15A



Model N6753A and N6755A, Option 760, CV Mode, @20 V, 15A

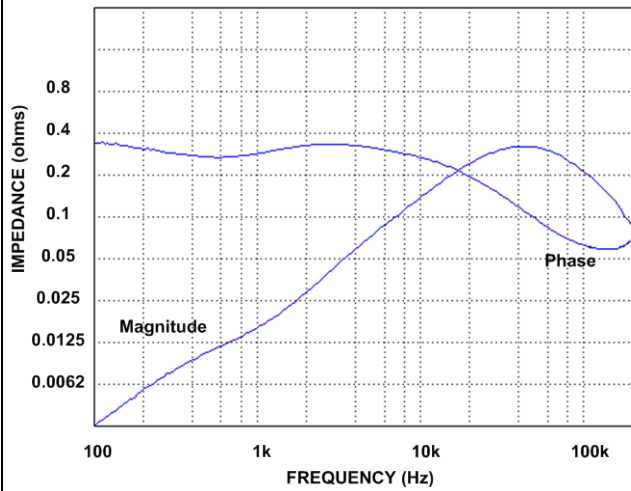


Model N6753A and N6755A, CC Mode, @20 V, 15A

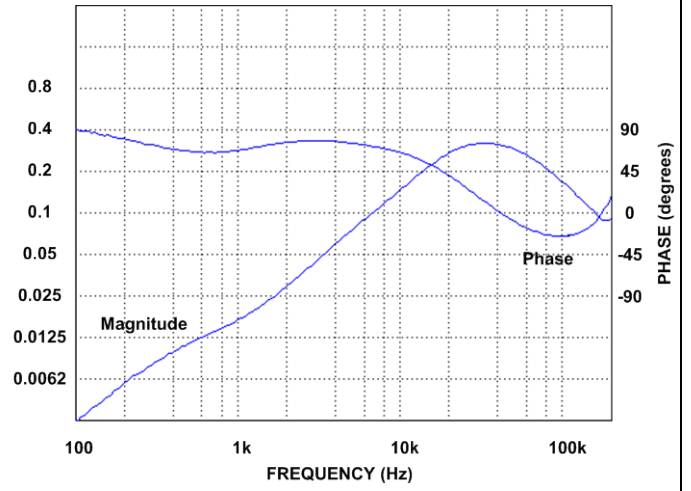


Model N6753A and N6755A, Option 760, CC Mode, @20 V, 15A

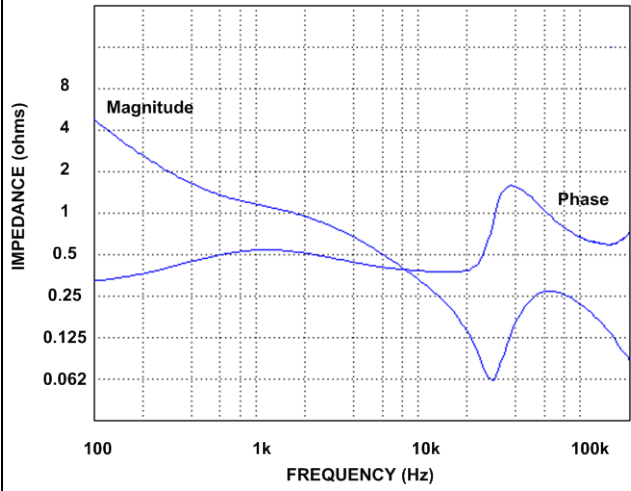




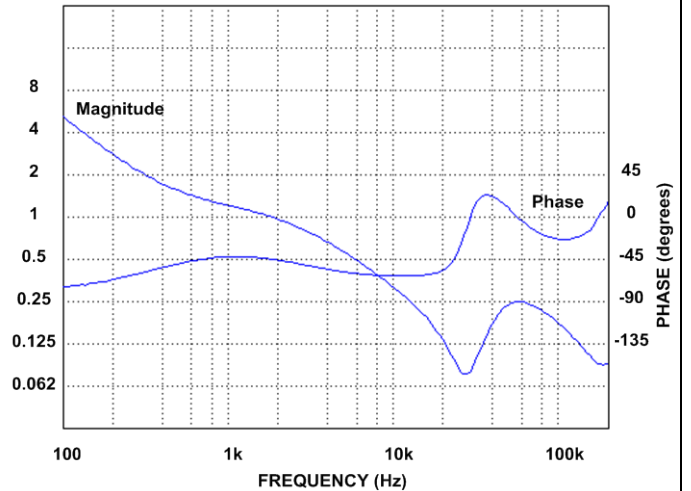
Model N6754A and N6756A, CV Mode, @60 V, 5A



Model N6754A and N6756A, Option 760, CV Mode, @60 V, 5A



Model N6754A and N6756A, CC Mode, @60 V, 5A



Model N6754A and N6756A, Option 760, CC Mode, @60 V, 5A

## Arbitrary Waveform Generator Maximum Bandwidth

**NOTE**

The information in this section only applies when the power modules are installed in a Keysight N6705 DC Power Analyzer.

The following tables characterize the maximum bandwidth of the arbitrary waveform generator. The maximum bandwidth is based on a sine wave into a resistive load and applies to any output current. The following definitions apply in the frequency tables:

- V<sub>p-p</sub> = Voltage peak-to-peak
- 3 dB max. = Max. frequency where the voltage drops to 3 dB below its setting
- THD 3 dB = The total harmonic distortion at 3 dB max. frequency
- THD < 1.5% = The frequency below which the THD is less than 1.5%.

| Voltage                    | 3 dB max | THD 3 dB | THD < 1.5% |
|----------------------------|----------|----------|------------|
| <b>N6751A &amp; N6752A</b> |          |          |            |
| 0.5 V <sub>p-p</sub>       | 4000 Hz  | 12%      | 440 Hz     |
| 1.0 V <sub>p-p</sub>       | 2200 Hz  | 21%      | 440 Hz     |
| 2.5 V <sub>p-p</sub>       | 900 Hz   | 25%      | 265 Hz     |
| 5.0 V <sub>p-p</sub>       | 500 Hz   | 27%      | 160 Hz     |
| 50.0 V <sub>p-p</sub>      | 340 Hz   | 22%      | 25 Hz      |
| <b>N6753A &amp; N6755A</b> |          |          |            |
| 0.2 V <sub>p-p</sub>       | 2300 Hz  | 10%      | 1300 Hz    |
| 0.4 V <sub>p-p</sub>       | 1500 Hz  | 15%      | 800 Hz     |
| 1.0 V <sub>p-p</sub>       | 980 Hz   | 19%      | 480 Hz     |
| 2.0 V <sub>p-p</sub>       | 580 Hz   | 21%      | 300 Hz     |
| 20.0 V <sub>p-p</sub>      | 400 Hz   | 12%      | 32 Hz      |
| <b>N6754A &amp; N6756A</b> |          |          |            |
| 0.6 V <sub>p-p</sub>       | 2800 Hz  | 8.0%     | 1600 Hz    |
| 1.2 V <sub>p-p</sub>       | 1400 Hz  | 15%      | 800 Hz     |
| 3.0 V <sub>p-p</sub>       | 600 Hz   | 17%      | 300 Hz     |
| 6.0 V <sub>p-p</sub>       | 400 Hz   | 20%      | 200 Hz     |
| 60.0 V <sub>p-p</sub>      | 344 Hz   | 12%      | 30 Hz      |

# Chapter 4

## Keysight N676xA Precision Power Modules

|   |    |
|---|----|
| Performance Specifications .....                    | 28 |
| Supplemental Characteristics.....                   | 29 |
| Autoranging Characteristic.....                     | 31 |
| Output Impedance Graphs.....                        | 31 |
| Arbitrary Waveform Generator Maximum Bandwidth..... | 33 |

Unless otherwise noted, specifications are warranted over the ambient temperature range of 0 to 40°C after a 30-minute warm-up period. Specifications apply at the output terminals, with each module's sense terminals internally connected to its output terminals (local sensing).

Refer to the Keysight N6700 or N6705 Service Guide for the setup conditions for all performance specifications.

Supplemental characteristics are not warranted but are descriptions of performance determined either by design or by type testing. All supplemental characteristics are typical unless otherwise noted.

# Performance Specifications

|   | N6761A/N6762A   | N6763A/N6765A                    | N6764A/N6766A                     |
|---|---|----------------------------------|-----------------------------------|
| <b>DC Ratings:</b>  |   |                                  |                                   |
| Voltage   | 0 - 50 V  | 0 - 20 V                         | 0 - 60 V                          |
| Current <sup>NOTE 1</sup>   | 0 - 1.5 A / 0 - 3 A   | 0 - 50 A                         | 0 - 20 A / 0 - 17 A               |
| Power   | 50 W / 100 W  | 300 W / 500 W                    | 300 W / 500 W                     |
| Low programming ranges (V & I)  | 5.5 V; 100 mA   | -                                | -                                 |
| Low measurement ranges (V & I)  | 5.5 V; 100 mA   | 2 V; 1.5 A                       | 6 V; 0.5 A                        |
| <b>Output Ripple and Noise (PARD):</b> (from 20 Hz - 20 MHz)  |   |                                  |                                   |
| CV peak-to-peak   | 4.5 mV  | 5 mV                             | 6 mV                              |
| CV rms  | 0.35 mV   | 1 mV                             | 1 mV                              |
| <b>Load Effect (Regulation):</b> (Applies for any output load change, with a maximum load-lead drop of 1V/lead.<br>The load lead drop reduces the maximum available voltage at the load.)   |   |                                  |                                   |
| Voltage   | 0.5 mV  | 2 mV                             | 2 mV                              |
| Current   | 30 $\mu$ A (@ 0 - 7 V)<br>65 $\mu$ A (@ 7 - 50V)                  | 12 mA                            | 5 mA                              |
| <b>Source Effect (Regulation):</b>  |   |                                  |                                   |
| Voltage   | 0.5 mV  | 0.5 mV                           | 1.2 mV                            |
| Current   | 30 $\mu$ A  | 5 mA                             | 2 mA                              |
| <b>Programming Accuracy:</b> (@ 23 °C $\pm$ 5 °C after 30 minute warm-up.<br>Applies from minimum to maximum programming range at any load.)  |   |                                  |                                   |
| Voltage, high range   | 0.016% + 6 mV   | 0.03% + 5 mV                     | 0.03% + 12 mV                     |
| Voltage, low range  | 0.016% + 1.5 mV   | -                                | -                                 |
| Current, high range   | 0.04% + 200 $\mu$ A   | 0.1% + 15 mA                     | 0.075% + 4 mA                     |
| Current, low range  | 0.04% + 30 $\mu$ A (@ 0 - 7 V)<br>0.04% + 55 $\mu$ A (@ 7 - 50 V) | -                                | -                                 |
| <b>Voltmeter/Ammeter Measurement Accuracy:</b> (@ 23 °C $\pm$ 5 °C)<br>Applies when measuring 4096 data points with a 20.48 $\mu$ s time interval.)   |   |                                  |                                   |
| Voltage, high range   | 0.016% + 6 mV   | 0.03% + 10 mV                    | 0.03% + 25 mV                     |
| Voltage, low range  | 0.016% + 1.5 mV   | 0.03% + 1.5 mV                   | 0.03% + 5 mV                      |
| Current, high range   | 0.04% + 160 $\mu$ A   | 0.1% + 10 mA                     | 0.1% + 5 mA                       |
| Current, low range  | 0.03% + 15 $\mu$ A (@ 0 - 7 V)<br>0.03% + 55 $\mu$ A (@ 7 - 50 V) | 0.05% + 1.1 mA <sup>NOTE 2</sup> | 0.05% + 0.75 mA <sup>NOTE 2</sup> |
| 200 $\mu$ A current range (Option 2UA)  | 0.5% + 100 nA   | -                                | -                                 |
| <b>Load Transient Recovery Time:</b> (time to recover to within the settling band following a load change<br>- from 60% to 100% and from 100% to 60% of full load for model N6761A<br>- from 50% to 100% and from 100% to 50% of full load for model N6762A through N6766A) |   |                                  |                                   |
| Voltage settling band   | $\pm$ 75 mV   | $\pm$ 30 mV <sup>NOTE 3</sup>    | $\pm$ 90 mV <sup>NOTE 4</sup>     |
| Time  | < 100 $\mu$ s   | < 100 $\mu$ s                    | < 100 $\mu$ s                     |

<sup>1</sup> Output current is derated 1% per °C above 40°C.

<sup>2</sup> Applies when measuring currents that remain within the low range. Due to thermal settling, when transitioning from measuring full-rated output current (the worst case), to measuring the current within the low range, the low range accuracy specification is typically met within 5 seconds after the current has transitioned into the low range. Accuracies within this 5 second settling period are typically 2X the specified accuracy or better.

<sup>3</sup> When relay option 760 or 761 is installed on Models N6763A and N6765A, the settling band is  $\pm$ 200 mV.

<sup>4</sup> When relay option 760 or 761 is installed on Models N6764A and N6766A, the settling band is  $\pm$ 350 mV.

## Supplemental Characteristics

|   | N6761A / N6762A         | N6763A / N6765A        | N6764A / N6766A         |
|---|-------------------------|------------------------|-------------------------|
| <b>Programming Ranges:</b>  |                         |                        |                         |
| Voltage, high range   | 15 mV – 51 V            | 10 mV – 20.4 V         | 25 mV– 61.2 V           |
| Voltage, low range  | 12 mV – 5.5 V           | -                      | -                       |
| Current, high range   | 1 mA–1.53 A/1 mA–3.06 A | 50 mA – 51 A           | 20 mA–20.4A/20mA–17.3A  |
| Current, low range <sup>NOTE 1</sup>  | 0.1 mA – 0.1 A          | -                      | -                       |
| <b>Programming Resolution:</b>  |                         |                        |                         |
| Voltage, high range   | 880 $\mu$ V             | 1.5 mV                 | 4.2 mV                  |
| Voltage, low range  | 90 $\mu$ V              | -                      | -                       |
| Current, high range   | 60 $\mu$ A              | 16.3 mA                | 6.5 mA                  |
| Current, low range  | 2 $\mu$ A               | -                      | -                       |
| <b>Measurement Resolution:</b>  |                         |                        |                         |
| Voltage, high range   | 440 $\mu$ V             | 250 $\mu$ V            | 600 $\mu$ V             |
| Voltage, low range  | 44 $\mu$ V              | 25 $\mu$ V             | 60 $\mu$ V              |
| Current, high range   | 30 $\mu$ A              | 500 $\mu$ A            | 250 $\mu$ A             |
| Current, low range  | 1 $\mu$ A               | 20 $\mu$ A             | 10 $\mu$ A              |
| 200 $\mu$ A current range (Option 2UA)  | 4 nA                    | -                      | -                       |
| <b>Programming Temperature Coefficient per °C:</b>  |                         |                        |                         |
| Voltage, high range   | 18 ppm + 140 $\mu$ V    | 23 ppm + 95 $\mu$ V    | 23 ppm + 218 $\mu$ V    |
| Voltage, low range  | 40 ppm + 70 $\mu$ V     | -                      | -                       |
| Current, high range   | 33 ppm + 10 $\mu$ A     | 25ppm + 129 $\mu$ A    | 25ppm + 52 $\mu$ A      |
| Current, low range  | 60 ppm + 1.5 $\mu$ A    | -                      | -                       |
| <b>Measurement Temperature Coefficient per °C:</b>  |                         |                        |                         |
| Voltage, high range   | 23 ppm + 40 $\mu$ V     | 23 ppm + 53 $\mu$ V    | 23 ppm + 73 $\mu$ V     |
| Voltage, low range  | 30 ppm + 40 $\mu$ V     | 25 ppm + 53 $\mu$ V    | 25 ppm + 73 $\mu$ V     |
| Current, high range   | 40 ppm + 0.3 $\mu$ A    | 25 ppm + 21 $\mu$ A    | 25 ppm + 7 $\mu$ A      |
| Current, low range  | 50 ppm + 0.3 $\mu$ A    | 27 ppm + 21 $\mu$ A    | 27 ppm + 7 $\mu$ A      |
| Current, 200 $\mu$ A range (Option 2UA)   | 100 ppm + 3 nA/°C       | -                      | -                       |
| <b>Measurement Small Signal Bandwidth: (- 3 db typical)</b>   |                         |                        |                         |
| Voltage   | 10 kHz                  | 10 kHz                 | 10 kHz                  |
| Correction On <sup>NOTE 2</sup>   | 10 kHz                  | -                      | -                       |
| Current <sup>NOTE 3</sup>   | 10 kHz                  | 10 kHz                 | 10 kHz                  |
| Correction On <sup>NOTE 2</sup>   | 2 kHz                   | -                      | -                       |
| <b>N6705 Mainframe Oscilloscope Measurement Accuracy: (@ 23 °C <math>\pm</math>5 °C, accuracy of any individual point in the trace)</b> |                         |                        |                         |
| Voltage   | 0.016% + 16 mV          | 0.03% + 13 mV          | 0.03% + 32 mV           |
| Current, high range   | 0.04% + 1 mA            | 0.1% + 16 mA           | 0.1% + 8.4 mA           |
| Correction On <sup>NOTE 2</sup>   | 0.04% + 10 mA           | -                      | -                       |
| Current, low range  | 0.03% + 0.175 mA        | 0.05% + 6.6 mA         | 0.05% + 2.6 mA          |
| <b>Up-programming Time with full resistive load: (Time from 10% to 90% of total voltage excursion)</b>                                  |                         |                        |                         |
| Small voltage step  | 0 V to 10 V             | 0 V to 6 V/0 V to 10 V | 0 V to 15 V/0 V to 29 V |
| Time  | 0.6 ms                  | 0.4 ms/0.5 ms          | 0.35 ms/0.7 ms          |
| Large voltage step  | 0 V to 50 V             | 0 V to 20 V            | 0 V to 60 V             |
| Time  | 2.2 ms                  | 1.5 ms                 | 2 ms                    |

## Supplemental Characteristics (continued)

|   | N6761A / N6762A  | N6763A / N6765A        | N6764A / N6766A         |
|---|--|------------------------|-------------------------|
| <b>Up-programming Settling Time with full resistive load:</b> (Time from start of voltage change to 0.1% of full scale value)   |  |                        |                         |
| Small voltage step  | 0 V to 10 V  | 0 V to 6 V/0 V to 10 V | 0 V to 15 V/0 V to 29 V |
| Time  | 0.9 ms   | 0.8 ms/1.0 ms          | 0.8 ms/1.4 ms           |
| Large voltage step  | 0 V to 50 V  | 0 V to 20 V            | 0 V to 60 V             |
| Time  | 4 ms   | 3 ms                   | 4.2 ms                  |
| <b>Down-programming Time with no load:</b> (time from start of voltage change to output voltage < 0.5 V)  |  |                        |                         |
| Small voltage step  | 10 V to 0 V  | 6 V to 0 V/10 V to 0 V | 15 V to 0 V/29 V to 0 V |
| Time  | 0.3 ms   | 0.55 ms/1.0 ms         | 0.6 ms/1.2 ms           |
| Large voltage step  | 50 V to 0 V  | 20 V to 0 V            | 60 V to 0 V             |
| Time  | 1.3 ms   | 1.8 ms                 | 2.2 ms                  |
| <b>Down-programming Settling Time with no load:</b> (time from start of voltage change to 0.1% of full scale value)   |  |                        |                         |
| Small voltage step  | 10 V to 0 V  | 6 V to 0 V/10 V to 0 V | 15 V to 0 V/29 V to 0 V |
| Time  | 0.45 ms  | 0.8 ms/1.3 ms          | 0.8 ms/1.5 ms           |
| Large voltage step  | 50 V to 0 V  | 20 V to 0 V            | 60 V to 0 V             |
| Time  | 1.4 ms   | 2 ms                   | 2.3 ms                  |
| <b>Down-programming Time with Capacitive load:</b> (time from start of voltage change to output voltage < 0.5 V)  |  |                        |                         |
| Small voltage step  | 10 V to 0 V  | 6 V to 0 V/10 V to 0 V | 15 V to 0 V/29 V to 0 V |
| Time  | 4.5 ms   | 2.2 ms/4.5 ms          | 2.3 ms/5.5 ms           |
| Large voltage step  | 50 V to 0 V  | 20 V to 0 V            | 60 V to 0 V             |
| Time  | 23 ms  | 8.5 ms                 | 10 ms                   |
| Capacitive load <sup>NOTE 4</sup>   | 1000 $\mu$ F   | 4700 $\mu$ F           | 680 $\mu$ F             |
| <b>Down-programming Capability:</b>   |  |                        |                         |
| Continuous power  | 7 W  | 12.5 W                 | 12.5 W                  |
| Peak current  | 3.8 A  | 15 A                   | 6 A                     |
| <b>Over-voltage Protection:</b>   |  |                        |                         |
| Accuracy  | 0.25% + 0.25 V   | 0.25% + 0.15 V         | 0.25% + 0.3 V           |
| With Option 761   | 0.25% + 0.25 V   | 0.25% + 0.45 V         | 0.25% + 0.6 V           |
| With Option 760   | -  | 0.25% + 0.45 V         | 0.25% + 0.6 V           |
| Maximum setting   | 55 V   | 22 V                   | 66 V                    |
| Response time   | 50 $\mu$ s from occurrence of over-voltage condition to start of output shutdown |                        |                         |
| <b>Output Ripple and Noise: (PARD)</b>  |  |                        |                         |
| CC rms:   | 2 mA   | 10 mA                  | 4 mA                    |
| <b>Common Mode Noise: (from 20 Hz – 20 MHz; from either output to chassis)</b>  |  |                        |                         |
| rms   | 500 $\mu$ A  | 500 $\mu$ A            | 750 $\mu$ A             |
| peak-to-peak  | < 2 mA   | < 2 mA                 | < 3 mA                  |
| <b>Remote Sense Capability:</b> Outputs can maintain specifications with up to a 1-volt drop per load lead. The load lead drop reduces the maximum available voltage at the load. |  |                        |                         |
| <b>Series and Parallel Operation:</b> Identically rated outputs can be operated directly in parallel or can be connected for straight series operation.                           |  |                        |                         |
| <b>Minimum Output Turn-On Delay:</b> (Time from when any Output On command is received until the output starts turning on)  |  |                        |                         |
| Without relay option  | 32 ms <sup>NOTE 5</sup>  | 18 ms                  | 18 ms                   |
| With relay Option 760   | 58 ms <sup>NOTE 5</sup>  | 44 ms                  | 44 ms                   |

<sup>1</sup> If you are operating the unit below 255  $\mu$ A in constant current mode, the output may become unregulated with the following load conditions: The load resistance is <175 m $\Omega$  and the load inductance is >20  $\mu$ H. If this occurs, an UNRegulated flag will be generated and the output current may rise above the programmed value but will remain < 255  $\mu$ A.

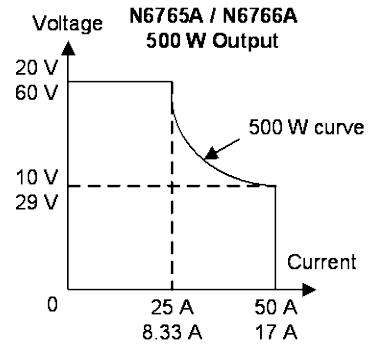
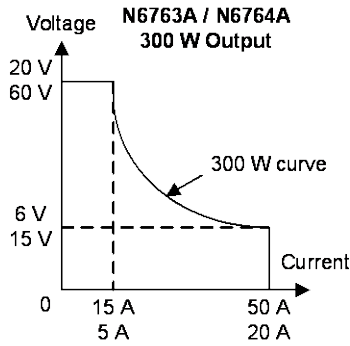
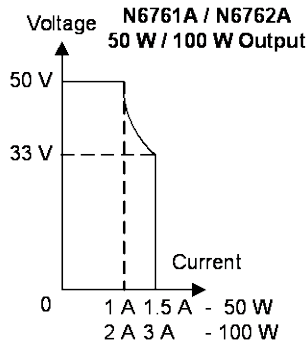
<sup>2</sup> Correction On compensates for current flowing into the output capacitor during voltage transients

<sup>3</sup> Stated values apply when the load resistance is at or close to zero. To determine the frequency for larger resistance values, refer to the User's Guide under "Measurement System Bandwidth".

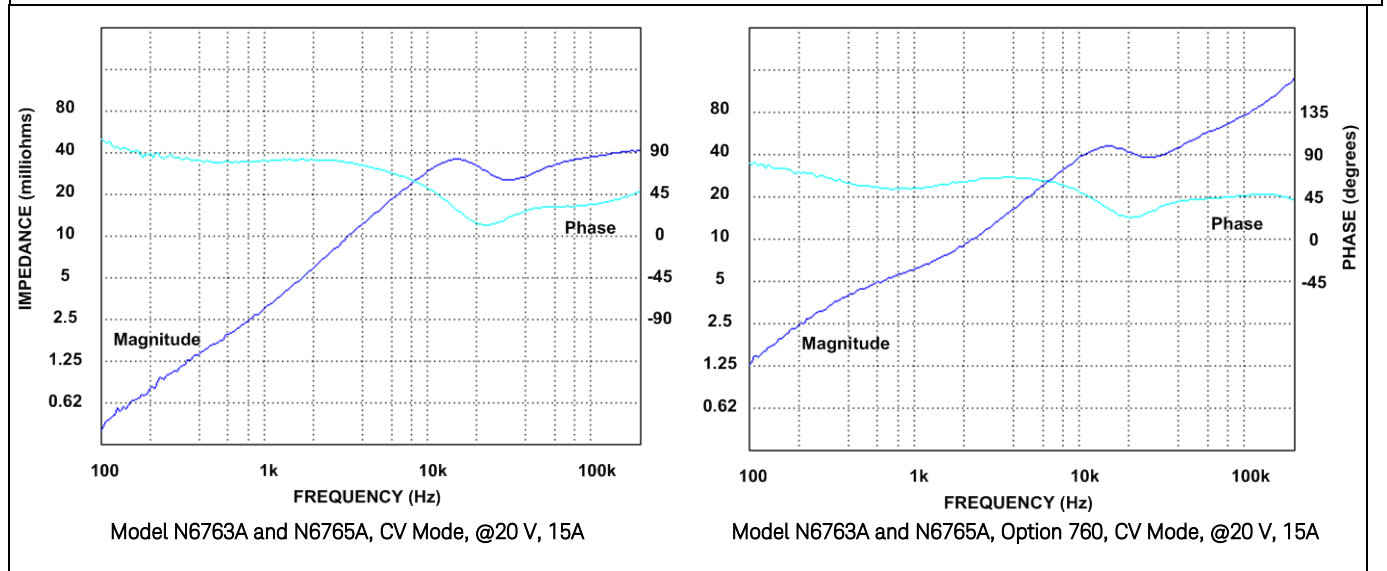
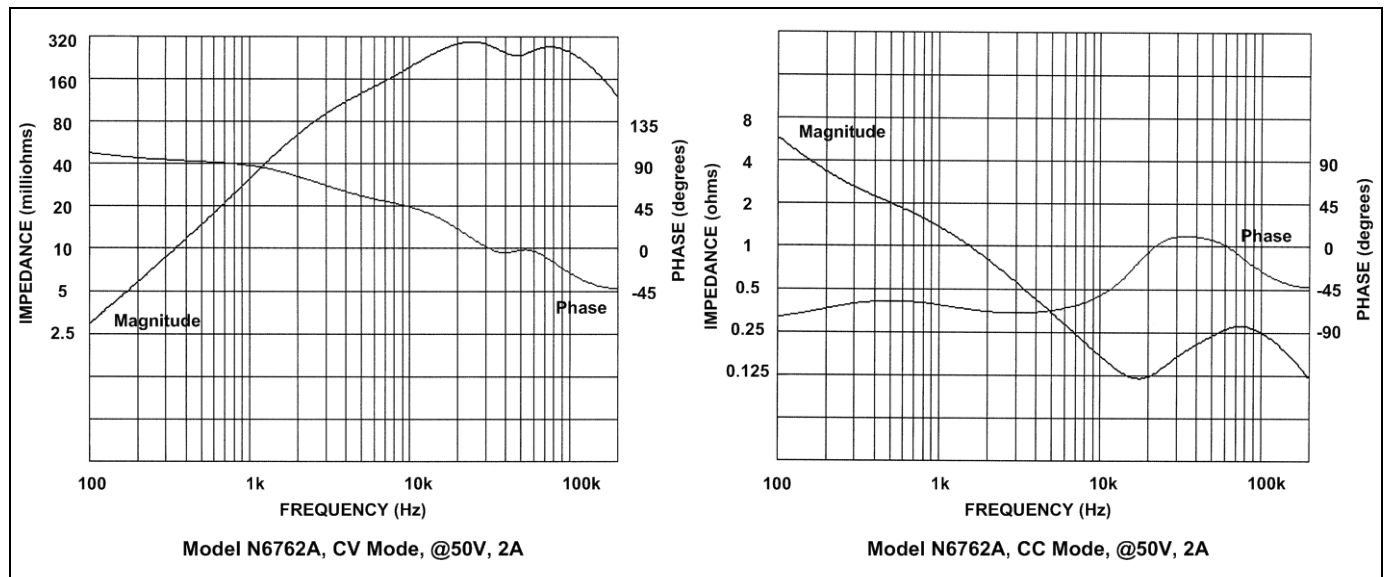
<sup>4</sup> Modules can discharge the specified capacitive load from full scale to 0V at a rate of 4 times/second.

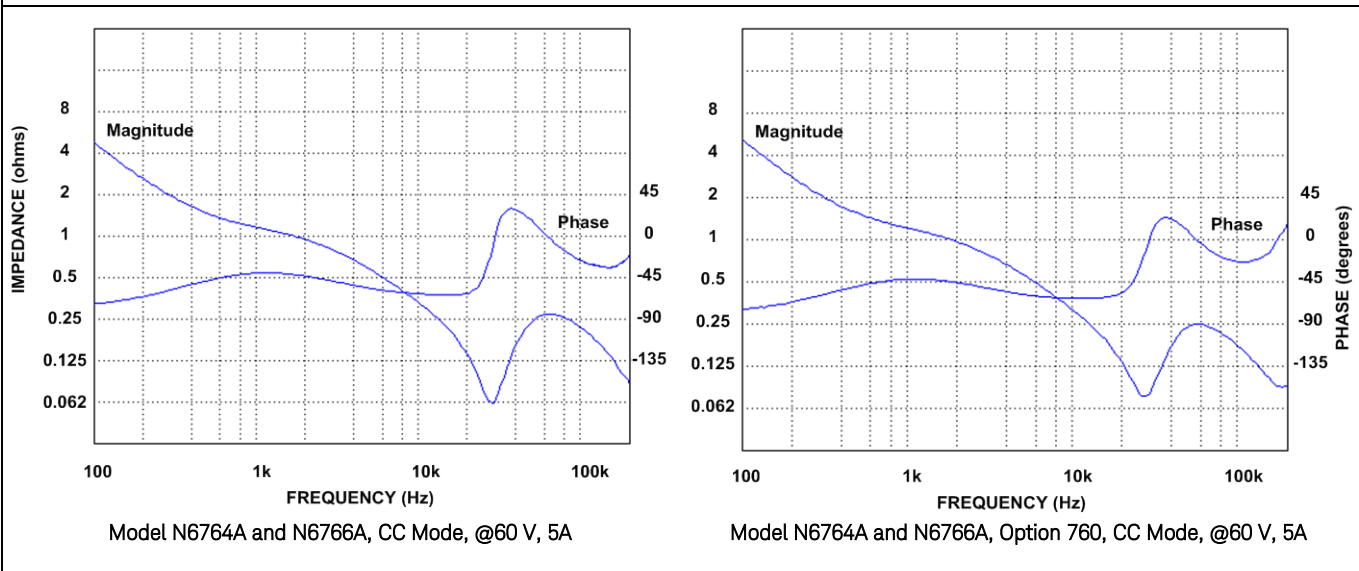
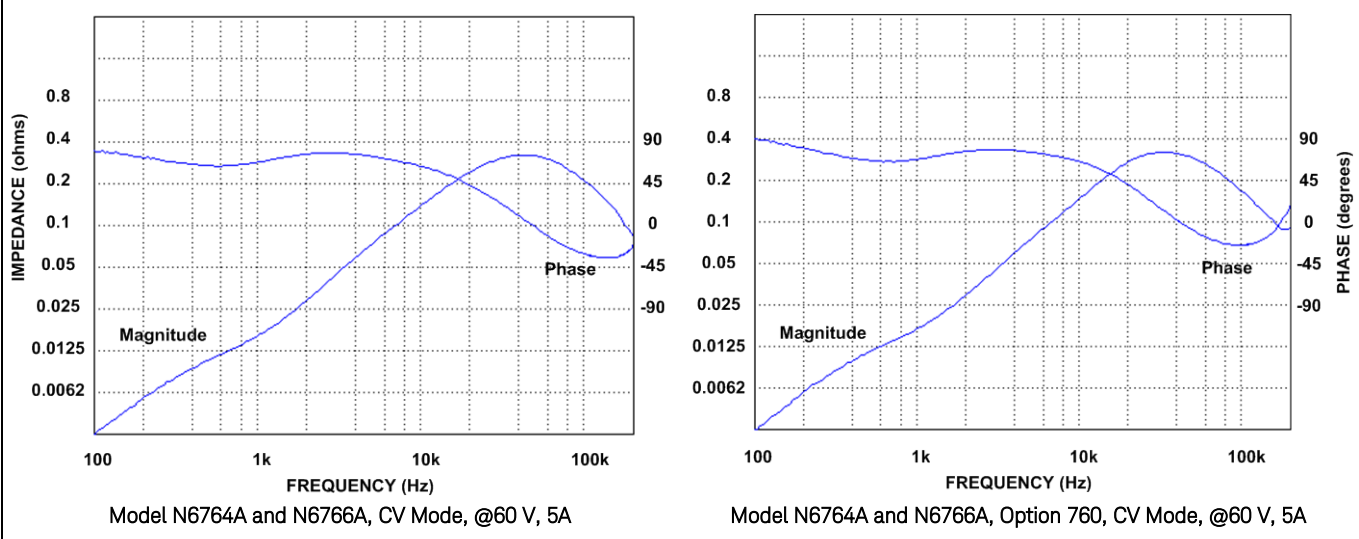
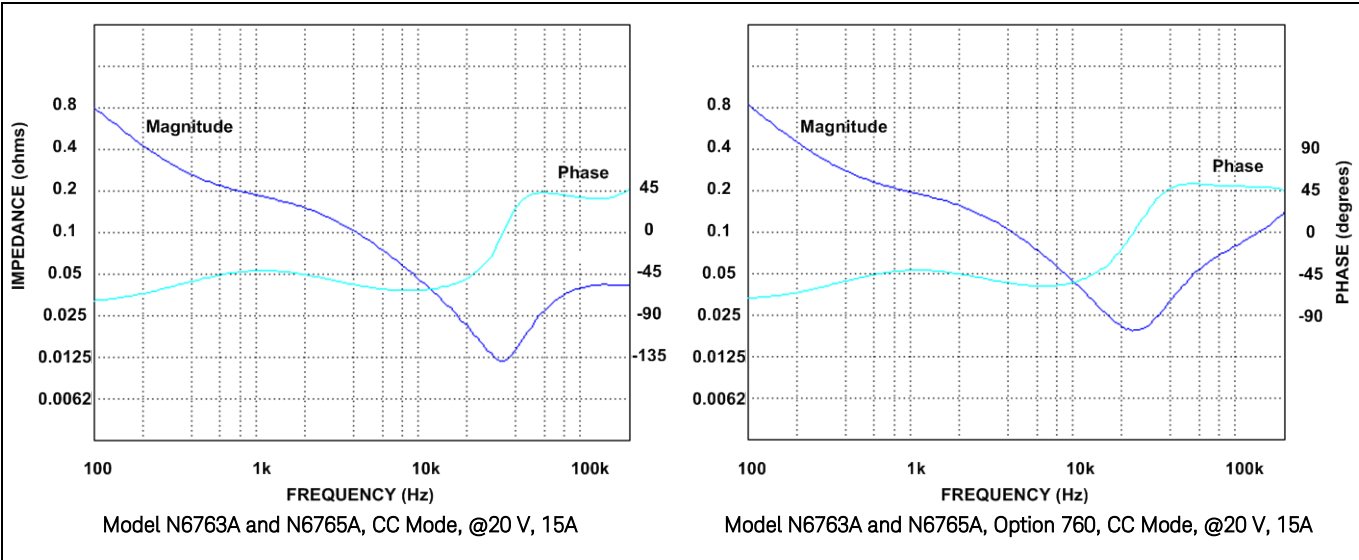
<sup>5</sup> In Current priority mode, minimum delay is 23 ms without relays and 45 ms with relay Option 760.

# Autoranging Characteristic



# Output Impedance Graphs







## Arbitrary Waveform Generator Maximum Bandwidth

**NOTE**

The information in this section only applies when the power modules are installed in a Keysight N6705 DC Power Analyzer.

The following tables characterize the maximum bandwidth of the arbitrary waveform generator. The maximum bandwidth is based on a sine wave into a resistive load and applies to any output current. The following definitions apply in the frequency tables:

- V<sub>p-p</sub> = Voltage peak-to-peak
- 3 dB max. = Max. frequency where the voltage drops to 3 dB below its setting
- THD 3 dB = The total harmonic distortion at 3 dB max. frequency
- THD < 1.5% = The frequency below which the THD is less than 1.5%.

| Voltage                    | 3 dB max | THD 3 dB | THD < 1.5% |
|----------------------------|----------|----------|------------|
| <b>N6761A &amp; N6762A</b> |          |          |            |
| 0.5 V <sub>p-p</sub>       | 4500 Hz  | 14%      | 450 Hz     |
| 1.0 V <sub>p-p</sub>       | 3600 Hz  | 14%      | 450 Hz     |
| 2.5 V <sub>p-p</sub>       | 1300 Hz  | 25%      | 340 Hz     |
| 5.0 V <sub>p-p</sub>       | 600 Hz   | 25%      | 250 Hz     |
| 50.0 V <sub>p-p</sub>      | 350 Hz   | 22%      | 30 Hz      |
| <b>N6763A &amp; N6765A</b> |          |          |            |
| 0.2 V <sub>p-p</sub>       | 2300 Hz  | 10%      | 1300 Hz    |
| 0.4 V <sub>p-p</sub>       | 1500 Hz  | 15%      | 800 Hz     |
| 1.0 V <sub>p-p</sub>       | 980 Hz   | 19%      | 480 Hz     |
| 2.0 V <sub>p-p</sub>       | 580 Hz   | 21%      | 300 Hz     |
| 20.0 V <sub>p-p</sub>      | 400 Hz   | 12%      | 32 Hz      |
| <b>N6764A &amp; N6766A</b> |          |          |            |
| 0.6 V <sub>p-p</sub>       | 2800 Hz  | 8.0%     | 1600 Hz    |
| 1.2 V <sub>p-p</sub>       | 1400 Hz  | 15%      | 800 Hz     |
| 3.0 V <sub>p-p</sub>       | 600 Hz   | 17%      | 300 Hz     |
| 6.0 V <sub>p-p</sub>       | 400 Hz   | 20%      | 200 Hz     |
| 60.0 V <sub>p-p</sub>      | 344 Hz   | 12%      | 30 Hz      |



# Chapter 5

## Keysight N678xA Source/Measure Units

|  |    |
|--|----|
| Performance Specifications .....         | 36 |
| Supplemental Characteristics.....        | 38 |
| Output Quadrant Characteristic .....     | 43 |
| Output Impedance Graphs.....             | 44 |
| Voltage Programming Response .....       | 46 |
| Measurement Accuracy and Resolution..... | 48 |

Unless otherwise noted, specifications are warranted over the ambient temperature range of 0 to 30°C after a 30-minute warm-up period. Unless otherwise noted, specifications apply at the mainframe output terminals, with each module's sense terminals internally connected to its output terminals (local sensing).

Refer to the Keysight N6700 or N6705 Service Guide for the setup conditions for all performance specifications.

Supplemental characteristics are not warranted but are descriptions of performance determined either by design or by type testing. All supplemental characteristics are typical unless otherwise noted.

## Performance Specifications

|   | N6781A / N6782A | N6784A          | N6785A / N6786A           |
|---|-----------------|-----------------|---------------------------|
| <b>DC Ratings:</b>  |                 |                 |                           |
| Voltage   | 20 V/6 V        | ±20 V/± 6 V     | 20 V/15 V/10 V/6 V        |
| Current <sup>NOTE 1</sup>   | ± 1 A/± 3 A     | ± 1 A/± 3 A     | ± 4 A/± 5 A/± 6.7 A/± 8 A |
| Power   | 20 W            | 20 W            | 80 W                      |
| Auxiliary Voltage Measurement Input <sup>NOTE 2</sup>   | ± 20 V          | -               | ± 20 V                    |
| <b>Output Voltage Ripple &amp; Noise (PARD) from 20 Hz – 20 MHz:</b>  |                 |                 |                           |
| Measured at the output terminals, under all load conditions, in Voltage Priority mode. Output Bandwidth setting = Low |                 |                 |                           |
| CV peak-to-peak   | 12 mV           | 12 mV           | 15 mV                     |
| CV rms  | 1.2 mV          | 1.2 mV          | 1.5 mV                    |
| <b>Load Effect (Load regulation):</b>   |                 |                 |                           |
| For any load change, with a load drop of 1.0 V. The load lead drop reduces the maximum available voltage at the load. |                 |                 |                           |
| Voltage, 20 V range   | 700 µV          | 700 µV          | 700 µV                    |
| Voltage, 15 V & 10 V ranges   | -               | -               | 700 µV                    |
| Voltage, 6 V range  | 400 µV          | 400 µV          | 700 µV                    |
| Current, 8 A, 6.7 A, 5 A, & 4 A ranges  | -               | -               | 400 µA                    |
| Current, 3 A range  | 100 µA          | 100 µA          | -                         |
| Current, 1 A range  | 50 µA           | 50 µA           | -                         |
| Current, 300 mA ranges <sup>NOTE 3</sup>  | 50 µA           | -               | -                         |
| Current, 100 mA & 10 mA ranges <sup>NOTE 3</sup>  | -               | 1 µA            | -                         |
| <b>Source Effect (Line regulation):</b>   |                 |                 |                           |
| Source Effect is guaranteed by design. Refer to “Supplemental Characteristics” later in this chapter.                 |                 |                 |                           |
| <b>Programming Accuracy @ 23 °C ±5 °C:</b>  |                 |                 |                           |
| After a 30 minute warm-up. Applies from minimum to maximum programming range at any load.                             |                 |                 |                           |
| Voltage, 20 V range   | 0.025% + 1.8 mV | 0.025% + 1.8 mV | 0.025% + 1.8 mV           |
| Voltage, 15 V & 10 V ranges   | -               | -               | 0.025% + 1.8 mV           |
| Voltage, 6V range   | 0.025% + 600 µV | 0.025% + 600 µV | 0.025% + 1.8 mV           |
| Voltage, 600 mV range <sup>NOTE 3</sup>   | 0.025% + 200 µV | 0.025% + 200 µV | -                         |
| Current, 8 A, 6.7 A, 5 A, & 4 A ranges  | -               | -               | 0.04% + 1.5 mA            |
| Current, 3 A & 1 A ranges   | 0.04% + 300 µA  | 0.04% + 300 µA  | -                         |
| Current, 300 mA range <sup>NOTE 3</sup>   | 0.03% + 150 µA  | -               | -                         |
| Current, 100 mA range <sup>NOTE 3</sup>   | -               | 0.03% + 12 µA   | -                         |
| Current, 10 mA range <sup>NOTE 3</sup>  | -               | 0.025% + 5 µA   | -                         |
| Resistance for 20 V output range <sup>NOTE 2</sup>  | 0.1% + 3 mΩ     | -               | 0.1% + 1 mΩ               |
| Resistance for 15 V & 10 V ranges <sup>NOTE 2</sup>   | -               | -               | 0.1% + 1 mΩ               |
| Resistance for 6 V output range <sup>NOTE 2</sup>   | 0.1% + 1.5 mΩ   | -               | 0.1% + 1 mΩ               |

## Performance Specifications (continued)

|   | N6781A / N6782A          | N6784A                   | N6785A / N6786A           |
|---|--------------------------|--------------------------|---------------------------|
| <b>Measurement Accuracy @ 23 °C ±5 °C:</b>  |                          |                          |                           |
| Applies when measuring the default value of 4883 data points with a 20.48 μs time interval.<br>Refer to “Measurement Accuracy and Resolution” later in this chapter for more information. |                          |                          |                           |
| Voltage, 20 V range   | 0.025% + 1.2 mV          | 0.025% + 1.2 mV          | 0.025% + 1.8 mV           |
| Voltage, 1 V range  | 0.025% + 75 μV           | 0.025% + 75 μV           | -                         |
| Voltage, 100 mV range   | 0.025% + 50 μV           | 0.025% + 50 μV           | -                         |
| Auxiliary Voltage Measurement Input <sup>NOTE 2</sup>   | 0.025% + 5 mV            | -                        | 0.025% + 5 mV             |
| Current, 8 A range  | -                        | -                        | 0.04% + 1.5 mA            |
| Current, 3 A range  | 0.03% + 250 μA           | 0.03% + 250 μA           | -                         |
| Current, 100 mA range   | 0.025% + 10 μA           | 0.025% + 10 μA           | 0.025% + 10 μA            |
| Current, 1 mA range <sup>NOTE 4</sup>   | 0.025% + 100 nA (110 nA) | 0.025% + 100 nA (110 nA) | 0.025% + 100 nA (110 nA)  |
| Current, 10 μA range <sup>NOTE 4</sup>  | 0.025% + 8 nA (20 nA)    | 0.025% + 8 nA (20 nA)    | -                         |
| <b>Load Transient Response Time in Voltage Priority mode:</b>   |                          |                          |                           |
| Time to recover to within the settling band.  |                          |                          |                           |
| With 150 μF cap (ESR=50 mΩ) at load, remote sensing at cap, 4.25' twisted pair load leads-See Service Guide for setup information.  |                          |                          |                           |
| Rise time (10% to 90%)  | 10 μs                    | 10 μs                    | 10 μs                     |
| Settling band   |                          |                          |                           |
| 20 V range with a 0.8 A load step   | ± 10 mV                  | ± 10 mV                  | ± 20 mV <sup>NOTE 5</sup> |
| 15 V & 10 V range with a 1.4 A load step  | -                        | -                        | ± 20 mV                   |
| 6 V range with a 1.4 A load step  | ± 20 mV                  | ± 20 mV                  | ± 20 mV                   |
| Recovery time   | ≤ 35 μs                  | ≤ 35 μs                  | ≤ 35 μs                   |

<sup>1</sup> Output current is derated 1% per °C above 30°C.

<sup>2</sup> Applies to N6781A and N6785A only.

Add an additional voltage programming error of 1 mV/Ω for N6781A and 10 mV/Ω for N6785A is also present.

<sup>3</sup> 600 mV range is only available in Voltage Priority mode;

300 mA, 100 mA, 10 mA ranges are only available in Current Priority mode.

<sup>4</sup> Values in parentheses apply when power modules are installed in Keysight N6705A mainframes.

<sup>5</sup> Applies with a 1.4 A load step.

# Supplemental Characteristics

|   | N6781A / N6782A                              | N6784A                           | N6785A / N6786A                               |
|---|--|----------------------------------|---|
| <b>Minimum Current and Voltage Compliance limits:</b>                           |  |                                  |   |
| 20 V range Voltage Priority mode  | 10 mA  | 10 mA                            | 8 mA  |
| 10 V & 15 V ranges Voltage Priority mode  | -  | -                                | 8 mA  |
| 6 V range Voltage Priority mode   | 20 mA  | 20 mA                            | 8 mA  |
| 8 A, 6.7 A, 5 A, & 4 A ranges Current Priority                                  | -  | -                                | 20 mV   |
| 3 A range Current Priority mode   | 10 mV  | 10 mV                            | -   |
| 1 A range Current Priority mode   | 20 mV  | 20 mV                            | -   |
| <b>Programming Range &amp; Resolution:</b>                                      |  |                                  |   |
| Voltage, 20 V range   | 0 to 20.4 V; 200 $\mu$ V                     | -20.4 V to 20.4 V; 200 $\mu$ V   | 0 to 20.4 V; 200 $\mu$ V                      |
| Voltage, 15 V range   | -  | -                                | 0 to 15.3 V; 200 $\mu$ V                      |
| Voltage, 10 V range   | -  | -                                | 0 to 10.2 V; 200 $\mu$ V                      |
| Voltage, 6 V range  | 0 to 6.12 V; 60 $\mu$ V                      | -6.12 V to 6.12 V; 60 $\mu$ V    | 0 to 6.12 V; 200 $\mu$ V                      |
| Voltage, 600 mV range   | 0 to 612 mV; 6 $\mu$ V                       | -612 mV to 612 mV; 6 $\mu$ V     | -   |
| Current, 8 A range  | -  | -                                | -8.16 A to 8.16 A; 75 $\mu$ A                 |
| Current, 6.7 A range  | -  | -                                | -6.83 A to 6.83 A; 75 $\mu$ A                 |
| Current, 5 A range  | -  | -                                | -5.1 A to 5.1 A; 75 $\mu$ A                   |
| Current, 4 A range  | -  | -                                | -4.08 A to 4.08 A; 75 $\mu$ A                 |
| Current, 3 A range  | -3.06 A to 3.06 A; 25 $\mu$ A                | -3.06 A to 3.06 A; 25 $\mu$ A    | -   |
| Current, 1 A range  | -1.02 A to 1.02 A; 25 $\mu$ A                | -1.02 A to 1.02 A; 25 $\mu$ A    | -   |
| Current, 300 mA range   | -306 mA to 306 mA; 3 $\mu$ A                 | -                                | -   |
| Current, 100 mA range   | -  | -102 mA to 102 mA; 1 $\mu$ A     | -   |
| Current, 10 mA range  | -  | -10.2 mA to 10.2 mA; 0.1 $\mu$ A | -   |
| Resistance for 20 V range <sup>NOTE 1</sup>                                     | -40m $\Omega$ to +1 $\Omega$ ; 0.5m $\Omega$ | -                                | -40m $\Omega$ to +1 $\Omega$ ; 0.17m $\Omega$ |
| Resistance for 15 V, & 10 V ranges <sup>NOTE 1</sup>                            | -  | -                                | -40m $\Omega$ to +1 $\Omega$ ; 0.17m $\Omega$ |
| Resistance for 6 V range <sup>NOTE 1</sup>                                      | -40m $\Omega$ to +1 $\Omega$ ; 0.25m         | -                                | -40m $\Omega$ to +1 $\Omega$ ; 0.17m $\Omega$ |
| <b>Programming Accuracy Temperature Coefficient per <math>^{\circ}</math>C:</b> |  |                                  |   |
| Voltage, 20 V range   | 0.002% +120uV                                | 0.002% +120uV                    | 0.0025% +200uV                                |
| Voltage, 10 V & 15 V ranges   | -  | -                                | 0.0025% +200uV                                |
| Voltage, 6 V range  | 0.0015% +40uV                                | 0.0015% +40uV                    | 0.0025% +200uV                                |
| Voltage, 600 mV range   | 0.0015% +10uV                                | 0.0015% +10uV                    | -   |
| Current, 8 A, 6.7 A, 5 A, & 4 A ranges  | -  | -                                | 0.0025% +150uA                                |
| Current, 3 A & 1 A ranges   | 0.0025% +22uA                                | 0.0025% +22uA                    | -   |
| Current, 300 mA range   | 0.0025% +14uA                                | -                                | -   |
| Current, 100 mA range   | -  | 0.0025% +1uA                     | -   |
| Current, 10 mA range  | -  | 0.0025% +0.5 $\mu$ A             | -   |
| <b>Measurement Resolution:</b>  |  |                                  |   |
| Voltage, 20 V range   | 200 $\mu$ V                                  | 200 $\mu$ V                      | 200 $\mu$ V                                   |
| Voltage, 1 V range  | 10 $\mu$ V                                   | 10 $\mu$ V                       | -   |
| Voltage, 100 mV range   | 1 $\mu$ V                                    | 1 $\mu$ V                        | -   |
| Auxiliary Voltage Measurement Input <sup>NOTE 1</sup>                           | 800 $\mu$ V                                  | -                                | 800 $\mu$ V                                   |
| <b>Measurement Resolution (continued)</b>                                       |  |                                  |   |
| Current, 8 A range  | -  | -                                | 75 uA   |
| Current, 3 A range  | 25 uA  | 25 uA                            | -   |
| Current, 100 mA range   | 1 uA   | 1 uA                             | 1 uA  |
| Current, 1 mA range   | 10 nA  | 10 nA                            | 10 nA   |
| Current, 10 $\mu$ A range   | 0.1 nA                                       | 0.1 nA                           | -   |

## Supplemental Characteristics (continued)

|   | N6781A / N6782A      | N6784A               | N6785A / N6786A      |
|---|----------------------|----------------------|----------------------|
| <b>Measurement Accuracy Temperature Coefficient per °C:</b> |                      |                      |                      |
| Voltage, 20 V range   | 0.0025% +25 $\mu$ V  | 0.0025% +25 $\mu$ V  | 0.003% +75 $\mu$ V   |
| Voltage, 1 V range  | 0.002% +2.5 $\mu$ V  | 0.002% +2.5 $\mu$ V  | -                    |
| Voltage, 100 mV range                                       | 0.0025% +2.5 $\mu$ V | 0.0025% +2.5 $\mu$ V | -                    |
| Auxiliary Voltage Measurement Input <sup>NOTE 1</sup>       | 0.0007% +200 $\mu$ V | -                    | 0.0007% +200 $\mu$ V |
| Current, 8 A range  | -                    | -                    | 0.002% +110 $\mu$ A  |
| Current, 3 A range  | 0.0025% +14 $\mu$ A  | 0.0025% +14 $\mu$ A  | -                    |
| Current, 100 mA range                                       | 0.0025% +0.4 $\mu$ A | 0.0025% +0.4 $\mu$ A | 0.0025% +0.4 $\mu$ A |
| Current, 1 mA range   | 0.002% +5 nA         | 0.002% +5 nA         | 0.002% +5 nA         |
| Current, 10 $\mu$ A range                                   | 0.002% +0.55 nA      | 0.002% +0.55 nA      | -                    |

### Voltage Programming Speed & Settling Time: (At the specified bandwidth)

With slew rate set to maximum; with High 2 output cap = 1  $\mu$ F; with High 3 output cap = 7  $\mu$ F

| Compensation setting                            | Low         | High1       | High 2     | High 3      | Low         | High1       | High 2     | High 3      | Low         | High1      | High2      | High3       |
|---|-------------|-------------|------------|-------------|-------------|-------------|------------|-------------|-------------|------------|------------|-------------|
| <b>Rise Time from 10% to 90% of step</b>        |             |             |            |             |             |             |            |             |             |            |            |             |
| 20 V range with a 0-10 V step <sup>NOTE 2</sup> | 300 $\mu$ s | 15 $\mu$ s  | 20 $\mu$ s | 120 $\mu$ s | 300 $\mu$ s | 15 $\mu$ s  | 20 $\mu$ s | 120 $\mu$ s | 300 $\mu$ s | 12 $\mu$ s | 15 $\mu$ s | 40 $\mu$ s  |
| 15 V & 10 V ranges with a 0-4 V step            | -           | -           | -          | -           | -           | -           | -          | -           | 300 $\mu$ s | 12 $\mu$ s | 15 $\mu$ s | 40 $\mu$ s  |
| 6 V range with a 0-4 V step                     | 300 $\mu$ s | 20 $\mu$ s  | 22 $\mu$ s | 50 $\mu$ s  | 300 $\mu$ s | 20 $\mu$ s  | 22 $\mu$ s | 50 $\mu$ s  | 300 $\mu$ s | 12 $\mu$ s | 15 $\mu$ s | 40 $\mu$ s  |
| 600 mV range with a 0-500 mV step               | 400 $\mu$ s | 75 $\mu$ s  | 30 $\mu$ s | 50 $\mu$ s  | 400 $\mu$ s | 75 $\mu$ s  | 30 $\mu$ s | 50 $\mu$ s  | -           | -          | -          | -           |
| <b>Settling Time to 0.1% of step</b>            |             |             |            |             |             |             |            |             |             |            |            |             |
| 20 V range with a 0-10 V step <sup>NOTE 2</sup> | 850 $\mu$ s | 45 $\mu$ s  | 65 $\mu$ s | 240 $\mu$ s | 850 $\mu$ s | 45 $\mu$ s  | 65 $\mu$ s | 240 $\mu$ s | 1.2ms       | 40 $\mu$ s | 50 $\mu$ s | 120 $\mu$ s |
| 15 V, & 10 V ranges with a 0-4 V step           | -           | -           | -          | -           | -           | -           | -          | -           | 1.2ms       | 40 $\mu$ s | 50 $\mu$ s | 120 $\mu$ s |
| 6 V range with a 0-4 V step                     | 850 $\mu$ s | 55 $\mu$ s  | 65 $\mu$ s | 160 $\mu$ s | 850 $\mu$ s | 55 $\mu$ s  | 65 $\mu$ s | 160 $\mu$ s | 1.2ms       | 40 $\mu$ s | 50 $\mu$ s | 120 $\mu$ s |
| 600 mV range with a 0-500 mV step               | 1.2 ms      | 220 $\mu$ s | 85 $\mu$ s | 170 $\mu$ s | 1.2 ms      | 220 $\mu$ s | 85 $\mu$ s | 170 $\mu$ s | -           | -          | -          | -           |

### High Frequency Output Voltage Noise: (At the specified bandwidth)

With High 2 setting, output cap = 1  $\mu$ F; with High 3 setting, output cap = 7  $\mu$ F

| Compensation setting                      | Low    | High1  | High 2 | High 3 | Low    | High1  | High 2 | High 3 | Low   | High1 | High2 | High3 |
|---|--------|--------|--------|--------|--------|--------|--------|--------|-------|-------|-------|-------|
| <b>CV peak-to-peak from 20Hz - 20 MHz</b> |        |        |        |        |        |        |        |        |       |       |       |       |
| 20 V range with any load                  | 12 mV  | 12 mV  | 4 mV   | 4 mV   | 12 mV  | 12 mV  | 4 mV   | 4 mV   | 15mV  | 15mV  | 3 mV  | 3 mV  |
| 15 V & 10 V ranges with any load          | -      | -      | -      | -      | -      | -      | -      | -      | 15mV  | 15mV  | 3 mV  | 3 mV  |
| 6 V range with any load                   | 12 mV  | 12 mV  | 4 mV   | 3 mV   | 12 mV  | 12 mV  | 4 mV   | 3 mV   | 15mV  | 15mV  | 3 mV  | 3 mV  |
| 600 mV range with any load                | 12 mV  | 12 mV  | 4 mV   | 3 mV   | 12 mV  | 12 mV  | 4 mV   | 3 mV   | -     | -     | -     | -     |
| <b>CV rms from 20 Hz - 20 MHz</b>         |        |        |        |        |        |        |        |        |       |       |       |       |
| 20 V range with any load                  | 1.2 mV | 1.2 mV | 0.5 mV | 0.5 mV | 1.2 mV | 1.2 mV | 0.5 mV | 0.5 mV | 1.5mV | 1.5mV | 0.4mV | 0.3mV |
| 15 V & 10 V ranges with any load          | -      | -      | -      | -      | -      | -      | -      | -      | 1.5mV | 1.5mV | 0.4mV | 0.3mV |
| 6 V range with any load                   | 1 mV   | 1 mV   | 0.3 mV | 0.3 mV | 1 mV   | 1 mV   | 0.3 mV | 0.3 mV | 1.5mV | 1.5mV | 0.4mV | 0.3mV |
| 600 mV range with any load                | 1 mV   | 1 mV   | 0.3 mV | 0.3 mV | 1 mV   | 1 mV   | 0.3 mV | 0.3 mV | -     | -     | -     | -     |

### Low Frequency Output Voltage Noise:

CV peak to peak from 0.1 Hz - 10 Hz

|                                   |   |             |   |
|-----------------------------------|---|-------------|---|
| 20 V range                        | - | 100 $\mu$ V | - |
| 6 V range                         | - | 50 $\mu$ V  | - |
| 600 mV range                      | - | 20 $\mu$ V  | - |
| <b>CV rms from 0.1 Hz - 10 Hz</b> |   |             |   |
| 20 V range                        | - | 20 $\mu$ V  | - |
| 6 V range                         | - | 10 $\mu$ V  | - |
| 600 mV range                      | - | 5 $\mu$ V   | - |

### Voltage Programming Small Signal Bandwidth:

Refer to "Voltage Programming Response" later in this chapter.

## Supplemental Characteristics (continued)

|   | N6781A / N6782A                           | N6784A                                    | N6785A / N6786A                           |
|---|---|---|---|
| <b>Voltage Measurement Noise:</b> (peak value)  |   |   |   |
| 20 V range  | 3 mV                                      | 3 mV                                      | 2.9 mV                                    |
| 1 V range   | 250 $\mu$ V                               | 250 $\mu$ V                               | -   |
| 100 mV range  | 50 $\mu$ V                                | 50 $\mu$ V                                | -   |
| <b>Voltage Measurement Settling Time:</b> (All ranges)  |   |   |   |
| Settling Time with no range change  | 40 $\mu$ s                                | 40 $\mu$ s                                | 35 $\mu$ s                                |
| <b>Voltage Measurement Small Signal Bandwidth:</b> (All ranges)   |   |   |   |
| -3 db typical with seamless ranging Off   | DC to 30 kHz                              | DC to 30 kHz                              | DC to 30 kHz                              |
| with seamless ranging On  | DC to 27 kHz                              | -   | -   |
| -1 db typical with seamless ranging Off   | DC to 17 kHz                              | DC to 17 kHz                              | DC to 17 kHz                              |
| with Seamless ranging On  | DC to 15 kHz                              | -   | -   |
| <b>Voltage Priority Transient Characteristic:</b> (Time to recover to within the settling band)             |   |   |   |
| At the specified bandwidth, 6 V range only, with remote sensing at load cap, 4.25' twisted pair load leads. |   |   |   |
| Compensation setting  | Low High1 High2 High3                     | Low High1 High2 High3                     | Low High1 High2 High3                     |
| Settling band.  | 40 mV 50 mV 30 mV 20 mV                   | 40 mV 50 mV 30 mV 20 mV                   | 40 mV 50 mV 30 mV 20 mV                   |
| CC Load Step  | 0.2 A 0.2 A 0.5 A 1.4 A                   | 0.2 A 0.2 A 0.5 A 1.4 A                   | 0.2 A 0.2 A 0.5 A 1.4 A                   |
| Rise Time from 10% to 90% of step   | 10 $\mu$ s 5 $\mu$ s 5 $\mu$ s 10 $\mu$ s | 10 $\mu$ s 5 $\mu$ s 5 $\mu$ s 10 $\mu$ s | 10 $\mu$ s 5 $\mu$ s 5 $\mu$ s 10 $\mu$ s |
| Recovery time   |   |   |   |
| with no load cap  | 30 $\mu$ s 10 $\mu$ s - -                 | 30 $\mu$ s 10 $\mu$ s - -                 | 40 $\mu$ s 12 $\mu$ s - -                 |
| with 1 $\mu$ F load cap (ESR=50 m $\Omega$ )  | - 20 $\mu$ s 10 $\mu$ s -                 | - 20 $\mu$ s 10 $\mu$ s -                 | - 20 $\mu$ s 12 $\mu$ s -                 |
| with 6.8 $\mu$ F load cap (ESR=50 m $\Omega$ )  | - - 25 $\mu$ s 15 $\mu$ s                 | - - 25 $\mu$ s 15 $\mu$ s                 | - - 14 $\mu$ s 15 $\mu$ s                 |
| with 150 $\mu$ F load cap (ESR=50 m $\Omega$ )  | 140 $\mu$ s - - 35 $\mu$ s                | 140 $\mu$ s - - 35 $\mu$ s                | 150 $\mu$ s - - 25 $\mu$ s                |
| Maximum peak voltage deviation  |   |   |   |
| with no load cap  | 180 mV/200 mV - -                         | 180 mV/200 mV - -                         | 250mV 260mV - -                           |
| with 1 $\mu$ F load cap (ESR=50 m $\Omega$ )  | - 260 mV/140 mV -                         | - 260 mV/140 mV -                         | - 290mV 140mV -                           |
| with 6.8 $\mu$ F load cap (ESR=50 m $\Omega$ )  | - - 140 mV 60 mV                          | - - 140 mV 60 mV                          | - - 140mV 60 mV                           |
| with 150 $\mu$ F load cap (ESR=50 m $\Omega$ )  | 45 mV - - 45 mV                           | 45 mV - - 45 mV                           | 65 mV - - 45 mV                           |
| <b>Auxiliary Voltage Measurement Input:</b> <sup>NOTE 1</sup>   |   |   |   |
| Differential input resistance   | 10 M $\Omega$                             | -   | 10 M $\Omega$                             |
| Maximum conversion rate   | 100k samples/second                       | -   | 100k samples/second                       |
| Maximum voltage from common   | $\pm$ 240 VDC                             | -   | $\pm$ 240 VDC                             |
| Maximum continuous input without damage   | $\pm$ 60 V                                | -   | $\pm$ 60 V                                |
| <b>Over-Voltage Protection:</b>   |   |   |   |
| Accuracy  | 0.05% + 20 mV                             | 0.05% + 20 mV                             | 0.05% + 20 mV                             |
| Maximum setting   | 24 V                                      | 24 V                                      | 24 V                                      |
| Response time <sup>NOTE 3</sup>   | <30 $\mu$ s                               | <30 $\mu$ s                               | <30 $\mu$ s                               |
| Programmable delay range & default value  | 30 to 272 $\mu$ s; 30 $\mu$ s             | 30 to 272 $\mu$ s; 30 $\mu$ s             | 30 to 272 $\mu$ s; 30 $\mu$ s             |
| <b>Source Effect (Line regulation):</b>   |   |   |   |
| Voltage, all ranges   | 300 $\mu$ V                               | 300 $\mu$ V                               | 100 $\mu$ V                               |
| Current, all ranges   | 60 $\mu$ A                                | 60 $\mu$ A                                | 100 $\mu$ A                               |
| <b>Current Programming Speed &amp; Settling Time:</b>   |   |   |   |
| Rise Time from 10% to 90% of step   |   |   |   |
| 8 A range with a 0-8 A step   | -   | -   | 3.0 $\mu$ s                               |
| 3 A range with a 0-3 A step   | 2.8 $\mu$ s                               | 2.8 $\mu$ s                               | -   |
| 1 A range with a 0-1 A step   | 3.2 $\mu$ s                               | 3.2 $\mu$ s                               | -   |
| 300 mA range with a 0-300 mA step   | 3.5 $\mu$ s                               | -   | -   |
| 100 mA range with a 0-100 mA step   | -   | 4 $\mu$ s                                 | -   |
| 10 mA range with a 0-10 mA step   | -   | 5 $\mu$ s                                 | -   |



## Supplemental Characteristics (continued)

|   | N6781A / N6782A | N6784A        | N6785A / N6786A |
|---|-----------------|---------------|-----------------|
| <b>Current Programming Speed &amp; Settling Time (continued)</b>  |                 |               |                 |
| Settling Time to 0.1% of step   |                 |               |                 |
| 8 A range with a 0-8 A step   | -               | -             | 20 $\mu$ s      |
| 3 A range with a 0-3 A step   | 30 $\mu$ s      | 30 $\mu$ s    | -               |
| 1 A range with a 0-1 A step   | 30 $\mu$ s      | 30 $\mu$ s    | -               |
| 300 mA range with a 0-300 mA step   | 40 $\mu$ s      | -             | -               |
| 100 mA range with a 0-100 mA step   | -               | 30 $\mu$ s    | -               |
| 10 mA range with a 0-10 mA step   | -               | 30 $\mu$ s    | -               |
| <b>High Frequency Output Current Noise: (All ranges)</b>  |                 |               |                 |
| CC rms from 20 Hz – 20 MHz  | 200 $\mu$ A     | 200 $\mu$ A   | 1 mA            |
| <b>Low Frequency Output Current Noise: (CC rms from 0.1 Hz – 10 Hz)</b>   |                 |               |                 |
| 3 A & 1 A ranges  | -               | 2 $\mu$ A     | -               |
| 100 mA range  | -               | 50 nA         | -               |
| 10 mA range   | -               | 20 nA         | -               |
| <b>Current Programming Small Signal Bandwidth:</b>  |                 |               |                 |
| -3 dB all except 100 mA & 10 mA range   | DC to 120 kHz   | DC to 120 kHz | DC to 130 kHz   |
| for 100 mA & 10 mA range  | -               | DC to 100 kHz | -               |
| -1 dB all except 100 mA & 10 mA range   | DC to 75 kHz    | DC to 75 kHz  | DC to 70 kHz    |
| for 100 mA & 10 mA range  | -               | DC to 50 kHz  | -               |
| <b>Current Measurement Noise: (Peak value)</b>  |                 |               |                 |
| 8 A range   | -               | -             | 1.2 mA          |
| 3 A range   | 400 $\mu$ A     | 400 $\mu$ A   | -               |
| 100 mA range  | 20 $\mu$ A      | 20 $\mu$ A    | 13.5 $\mu$ A    |
| 1 mA range  | 2 $\mu$ A       | 2 $\mu$ A     | 1.4 $\mu$ A     |
| 10 $\mu$ A range  | 20 nA           | 20 nA         | -               |
| <b>Current Measurement Settling Time: (to 1% of the specified step with no range change or with up-ranging)</b> |                 |               |                 |
| 8 A range with 0.5-1A step  | -               | -             | 35 $\mu$ s      |
| 3 A range with a 0.5-1 A step   | 35 $\mu$ s      | 35 $\mu$ s    | -               |
| 100 mA range with a 50-100 mA step  | 35 $\mu$ s      | 35 $\mu$ s    | 35 $\mu$ s      |
| 1 mA range with a 0.5-1 mA step   | 120 $\mu$ s     | 120 $\mu$ s   | 120 $\mu$ s     |
| 10 $\mu$ A range with a 5-10 $\mu$ A step   | 750 $\mu$ s     | 750 $\mu$ s   | -               |
| Up-ranging to   |                 |               |                 |
| 8 A range with a 0-8 A step   | -               | -             | 35 $\mu$ s      |
| 3 A range with a 0-3 A step   | 35 $\mu$ s      | -             | -               |
| 100 mA range with a 0-100 mA step   | 35 $\mu$ s      | -             | 35 $\mu$ s      |
| 1 mA range with a 0-1 mA step   | 120 $\mu$ s     | -             | -               |
| (to 1% of the specified range with down-ranging)  |                 |               |                 |
| Down-ranging from 3 A & 8 A ranges to:  |                 |               |                 |
| 100 mA range  | 45 $\mu$ s      | 45 $\mu$ s    | 50 $\mu$ s      |
| 1 mA range  | 200 $\mu$ s     | 200 $\mu$ s   | 200 $\mu$ s     |
| 10 $\mu$ A range  | 3.5 ms          | 3.5 ms        | -               |
| <b>Current Measurement Small Signal Bandwidth:</b> <small>NOTE 4</small>  |                 |               |                 |
| -3 dB typical with seamless ranging Off   |                 |               |                 |
| 8 A range   | -               | -             | DC to 28 kHz    |
| 3 A range   | DC to 29 kHz    | DC to 27 kHz  | -               |
| 100 mA range  | DC to 29 kHz    | DC to 27 kHz  | DC to 30 kHz    |
| 1 mA range  | DC to 10 kHz    | DC to 10 kHz  | DC to 10 kHz    |
| 10 $\mu$ A range  | DC to 750 Hz    | DC to 750 Hz  | -               |

## Supplemental Characteristics (continued)

|   | N6781A / N6782A  | N6784A        | N6785A / N6786A |
|---|--|---------------|-----------------|
| <b>Current Measurement Small Signal Bandwidth (continued)</b>   |  |               |                 |
| -3 dB typical with seamless ranging On  |  |               |                 |
| 8 A range   | -  | -             | DC to 26 kHz    |
| 3 A range   | DC to 26 kHz   | -             | -               |
| 100 mA range  | DC to 26 kHz   | -             | DC to 27 kHz    |
| 1 mA range  | DC to 10 kHz   | -             | DC to 10 kHz    |
| -1 dB typical with seamless ranging Off   |  |               |                 |
| 8 A range   | -  | -             | DC to 16 kHz    |
| 3 A range   | DC to 16 kHz   | DC to 16 kHz  | -               |
| 100 mA range  | DC to 16 kHz   | DC to 16 kHz  | DC to 17 kHz    |
| 1 mA range  | DC to 6 kHz  | DC to 6.5 kHz | DC to 6 kHz     |
| 10 µA range   | DC to 400 Hz   | DC to 400 Hz  | -               |
| -1 dB typical with seamless ranging On  |  |               |                 |
| 8 A range   | -  | -             | DC to 15 kHz    |
| 3 A range   | DC to 14 kHz   | -             | -               |
| 100 mA range  | DC to 14 kHz   | -             | DC to 15 kHz    |
| 1 mA range  | DC to 6 kHz  | -             | DC to 16 kHz    |
| <b>Current Priority Transient Characteristic: (with 4.25' twisted pair load leads)</b>                                      |  |               |                 |
| 8 A range with a 5-15 V step  |  |               |                 |
| Current settling band   | -  | -             | 40 mA           |
| Recovery time <sup>NOTE 5</sup>   | -  | -             | 5 µs (7 µs)     |
| 3 A range with a 1-4 V step   |  |               |                 |
| Current settling band   | 5 mA   | 5 mA          | -               |
| Recovery time <sup>NOTE 5</sup>   | 12 µs (24 µs)  | 12 µs (24 µs) | -               |
| 1 A range with a 0.5-0 V step   |  |               |                 |
| Current settling band   | 10 mA  | 10 mA         | -               |
| Recovery time <sup>NOTE 5</sup>   | 12 µs (24 µs)  | 12 µs (24 µs) | -               |
| <b>Common Mode Current from 20 Hz – 20 MHz: (with negative output connected to chassis)</b>                                 |  |               |                 |
| CC peak-to-peak   | < 1 mA   | < 1 mA        | < 1.5 mA        |
| CC rms  | < 100 µA   | < 100 µA      | < 150 µA        |
| <b>Remote Sense Capability:</b>   | Outputs can maintain specifications with up to a 1-volt drop per load lead.<br>The load lead drop reduces the maximum available voltage at the load. |               |                 |
| <b>Parallel Operation:</b> <sup>NOTE 6</sup>  | Identically rated outputs can be operated directly in parallel in Current Priority mode only.<br>Operating units in series is not available.         |               |                 |
| <b>Minimum Output Turn-on Delay:</b> (Time from when any Output On command is received until the output starts turning on.) |  |               |                 |
| Turn-off mode set to Low impedance  | 25.6 ms  | 25.6 ms       | 25.6 ms         |
| Turn-off mode set to High impedance   | 24.7 ms  | 24.7 ms       | 24.7 ms         |

<sup>1</sup> Applies to N6781A and N6785A only

<sup>2</sup> For N6785A and N6786A applies with a 0 - 4 V step.

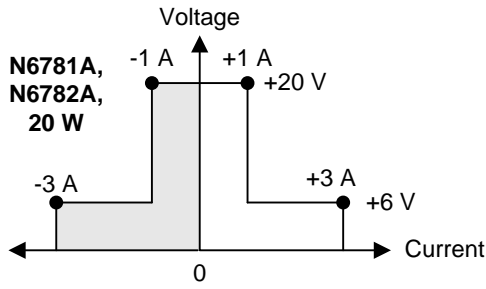
<sup>3</sup> Response time applies from the occurrence of the over-voltage condition to the start of output shutdown.

<sup>4</sup> When using an N6705A mainframe connected through the front panel binding posts, additional output capacitance causes large measurement peaking/overshoots when the load impedance is >~1 kΩ. This does not apply to N6705B mainframes. When using an N6705A or N6705B mainframe connected **directly** to the module connector, there are slight measurement peaking/overshoots when the load impedance is > ~10 kΩ.

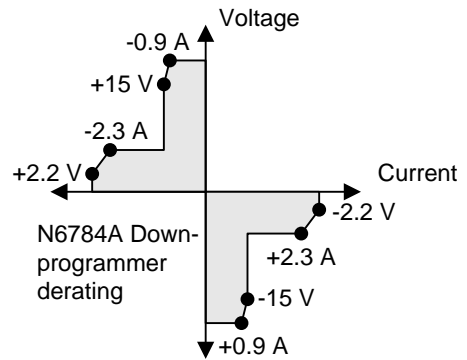
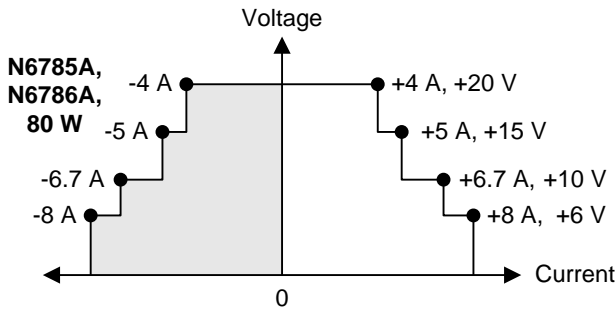
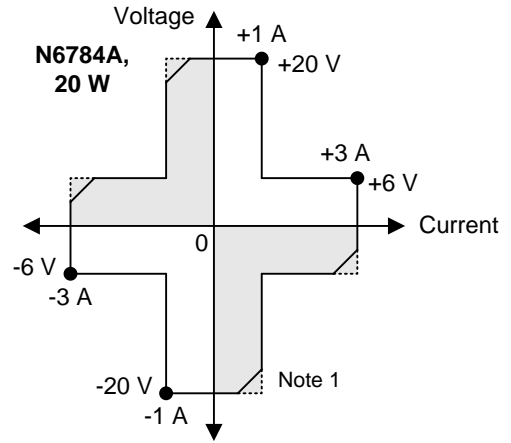
<sup>5</sup> Values in parentheses apply when power modules are installed in N6705A mainframes.

<sup>6</sup> In CV priority mode, uneven current sharing while paralleling prevents using the lower current measurement ranges and will also cause degradation in transient response performance.

# Output Quadrant Characteristic



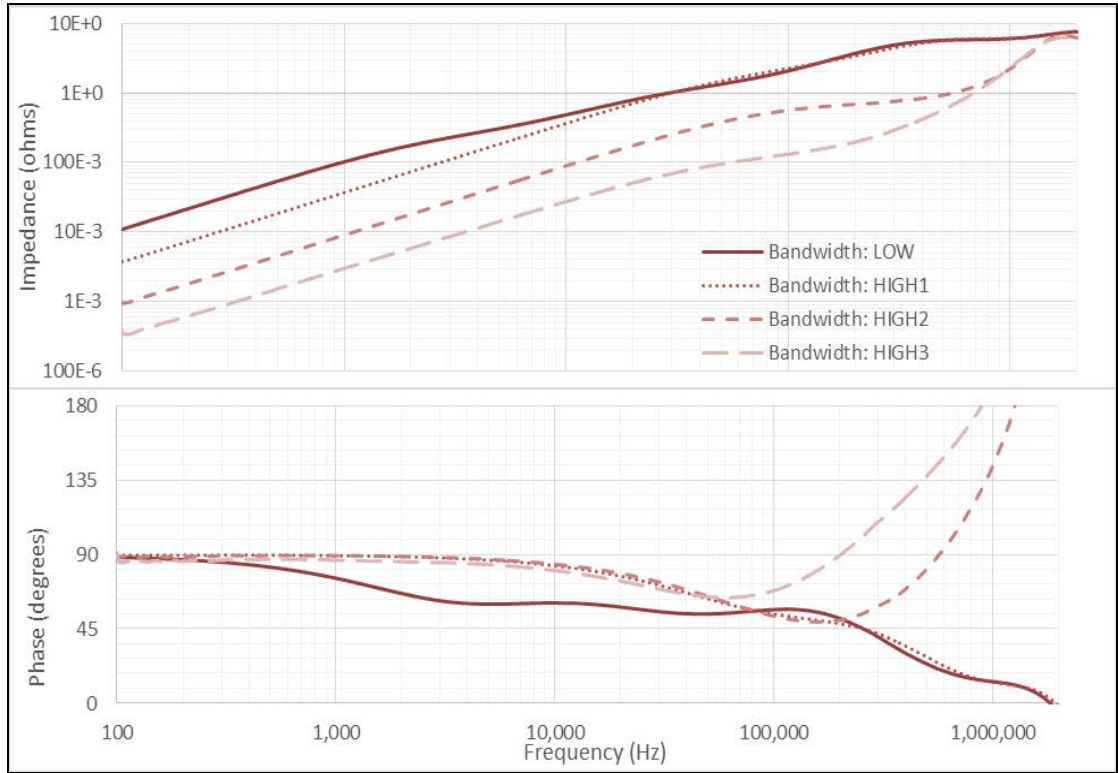
Key  
 □ Sourcing power  
 ■ Sinking power



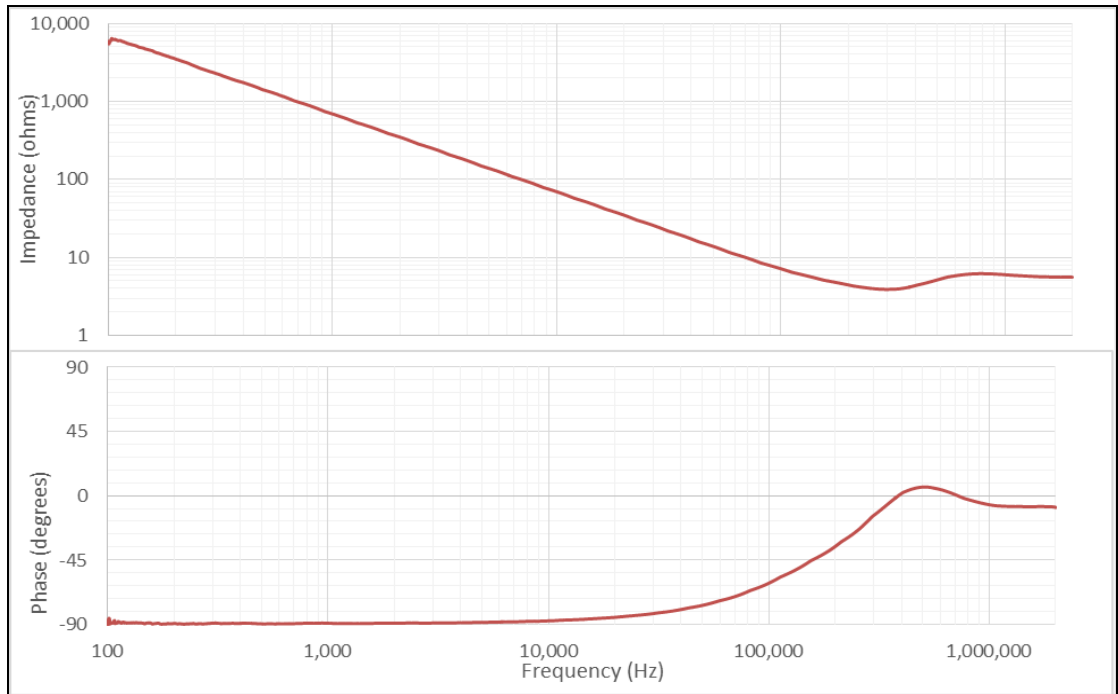
Note 1. When sinking power, Keysight Model N6784A can operate at the maximum rated output power for only a limited time. When the internal temperature of the unit exceeds its safe limit, the output latches off. A protect clear is required to resume normal operation. The condition is annunciated by the OT status bit. The Downprogrammer derating figure shows the safe limit boundary values.

# Output Impedance Graphs

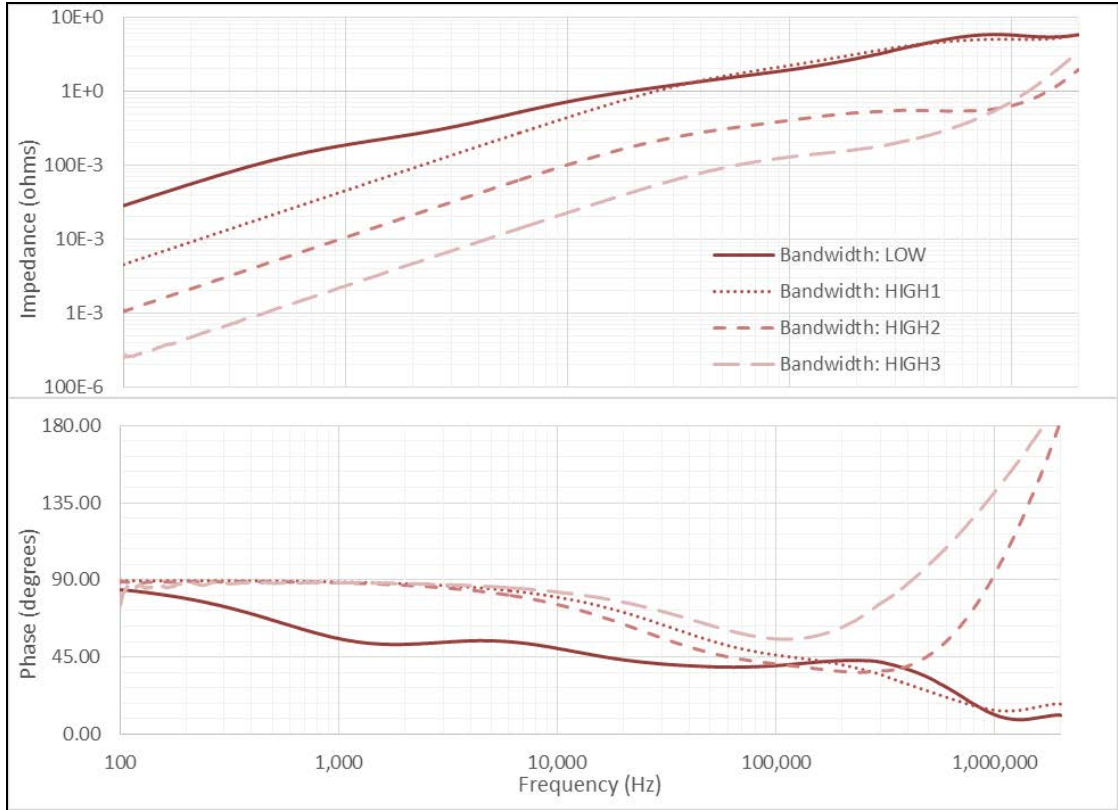
N6781A  
 N6782A  
 N6784A  
 CV Mode  
 @3V, 0.5A



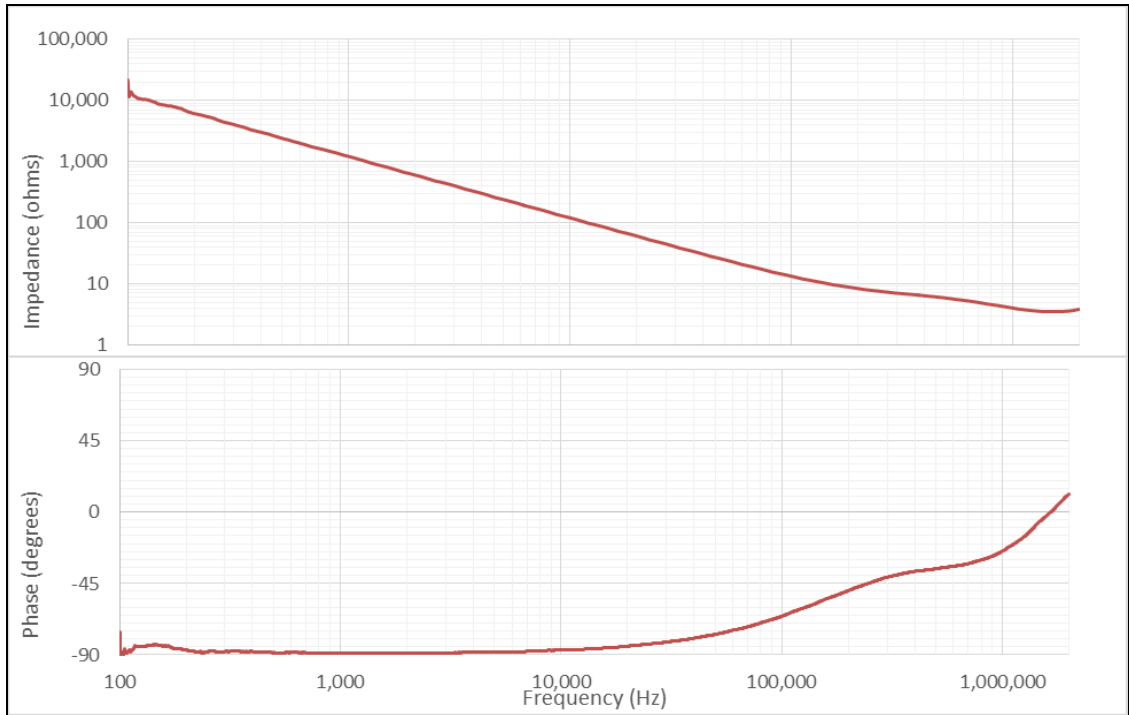
N6781A  
 N6782A  
 N6784A  
 CC Mode  
 @2.4V,  
 0.4A



N6785A  
 N6786A  
 CV Mode  
 @3V, 0.5A



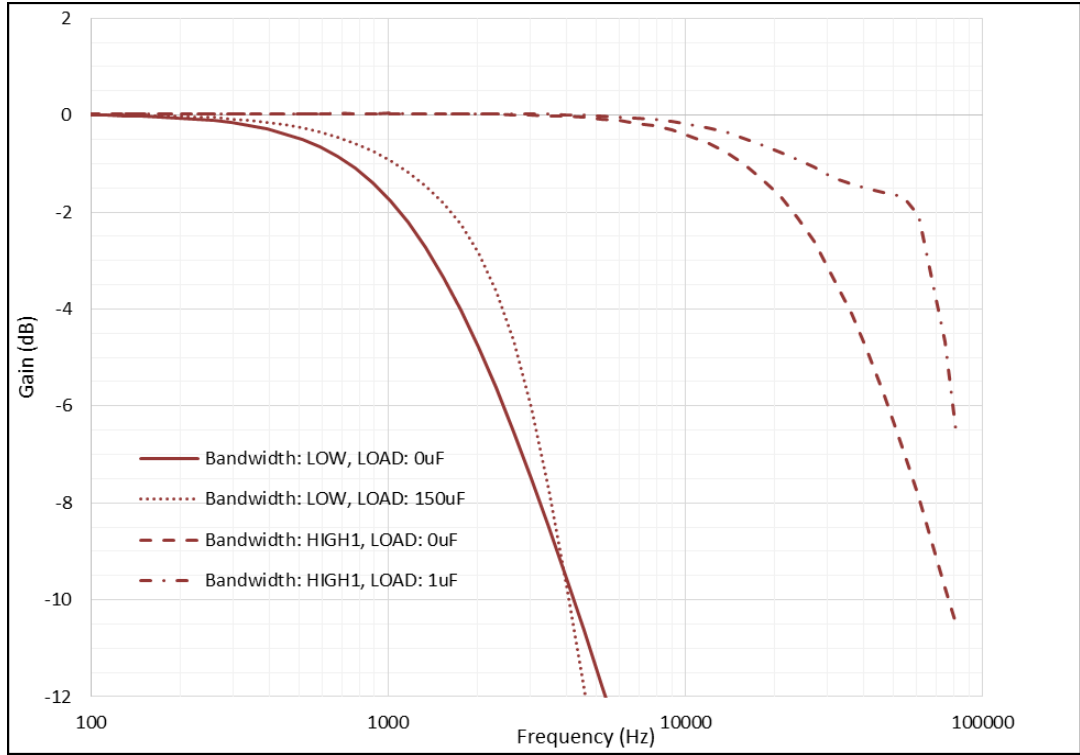
N6785A  
 N6786A  
 CC Mode  
 @2.4V,  
 0.4A



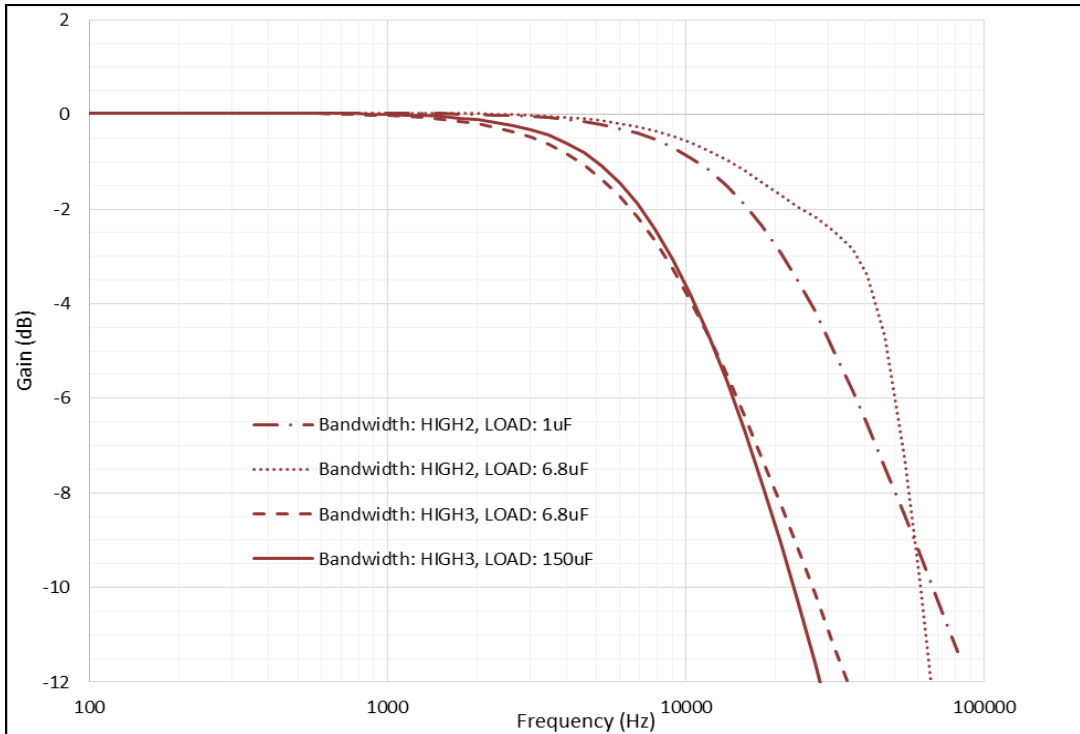
# Voltage Programming Response

The following graphs show the voltage programming response with the indicated bandwidths and loads. Note that the load ESR=200 mΩ.

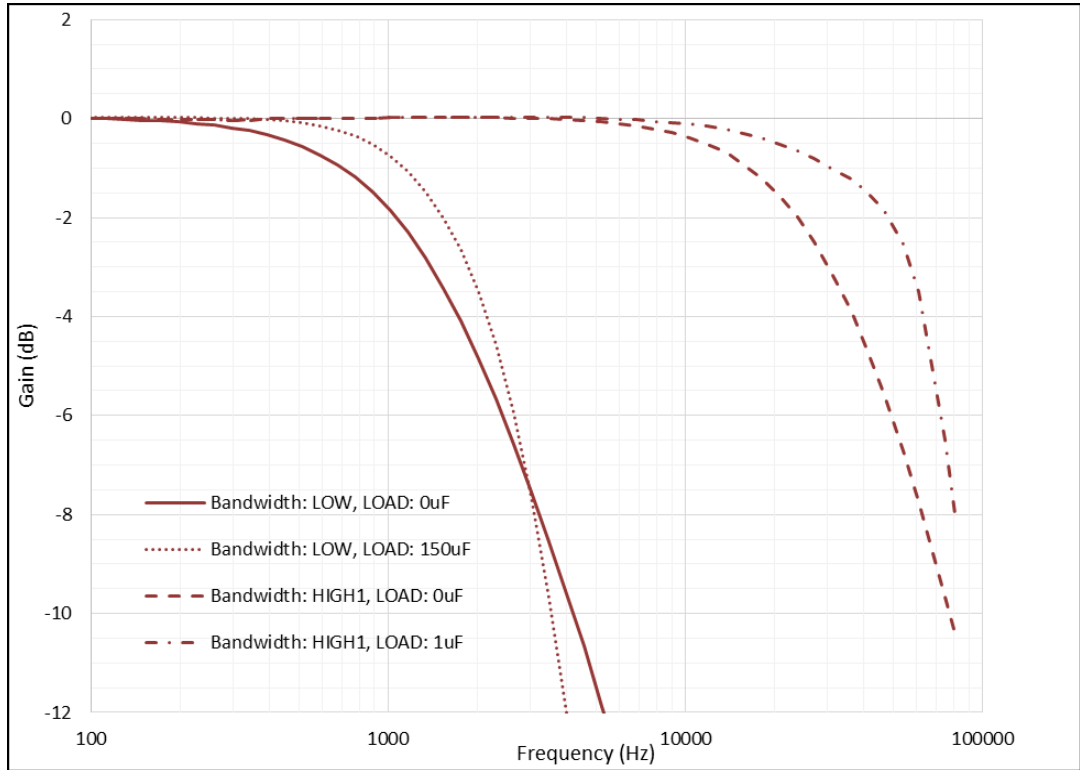
N6781A  
 N6782A  
 N6784A  
 Bandwidth  
 LOW  
 HIGH 1



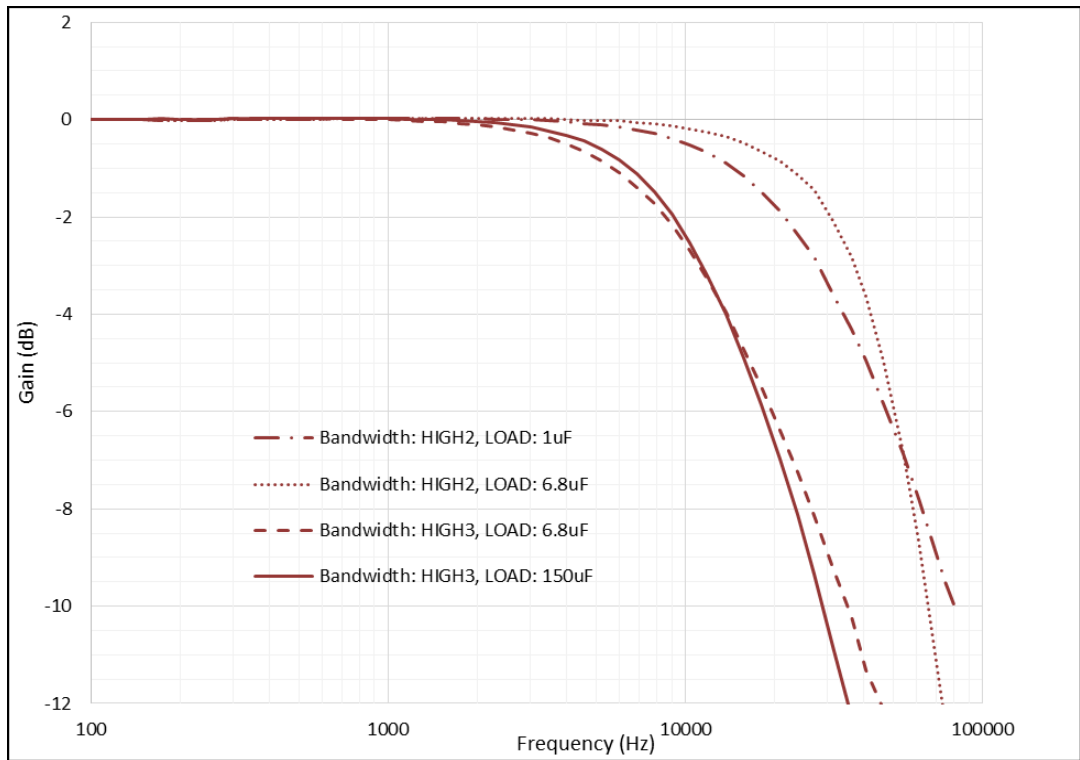
N6781A  
 N6782A  
 N6784A  
 Bandwidth  
 HIGH 2  
 HIGH 3



N6785A  
 N6786A  
 Bandwidth  
 LOW  
 HIGH 1



N6785A  
 N6786A  
 Bandwidth  
 HIGH 2  
 HIGH 3



## Measurement Accuracy and Resolution (with shorter measurement intervals)

The following table shows changes to the short-term measurement accuracy and resolution with various number of power line cycle (NPLC) measurement settings. Changes are due to the A-to-D converter's noise performance. The table's baseline is 1 NPLC with no added noise. To determine the measurement accuracy at shorter averaging intervals, simply add the noise value to the fixed accuracy value in the specification table.

### N6785A and N6786A

|                           |         |          |          |          |          |          |          |          |          |
|---------------------------|---------|----------|----------|----------|----------|----------|----------|----------|----------|
| <b>NPLC @ 60 Hz:</b>      | 0.0003  | 0.003    | 0.006    | 0.010    | 0.031    | 0.06     | 0.1      | 0.6      | 1        |
| <b>Time:</b>              | 5.1E-6  | 51.2E-6  | 102.4E-6 | 169E-6   | 512E-6   | 998.4E-6 | 1.7E-3   | 10E-3    | 16.7E-3  |
| <b>Averaged points:</b>   | 1       | 10       | 20       | 33       | 100      | 195      | 325      | 1953     | 3255     |
| <b>20V range noise:</b>   | 2.9E-3  | 1.3E-3   | 1.0E-3   | 1.0E-3   | 394.2E-6 | 298.5E-6 | 260.6E-6 | 98.1E-6  | 69.8E-6  |
| <b>Resolution (bits):</b> | 12.7    | 13.9     | 14.2     | 14.2     | 15.6     | 16       | 16.2     | 17.6     | 18.1     |
| <b>8A range noise:</b>    | 1.2E-3  | 552.2E-6 | 409.7E-6 | 313.8E-6 | 198.9E-6 | 138.0E-6 | 94.4E-6  | 45.6E-6  | 43.5E-6  |
| <b>Resolution (bits):</b> | 12.7    | 13.8     | 14.2     | 14.6     | 15.2     | 15.8     | 16.3     | 17.4     | 17.4     |
| <b>100mA range noise:</b> | 13.5E-6 | 7.1E-6   | 5.4E-6   | 4.1E-6   | 2.5E-6   | 1.7E-6   | 1.3E-6   | 644.2E-9 | 471.5E-9 |
| <b>Resolution (bits):</b> | 12.8    | 13.7     | 14.1     | 14.5     | 15.2     | 15.8     | 16.2     | 17.2     | 17.6     |
| <b>1mA range noise:</b>   | 1.4E-6  | 594.3E-9 | 306.2E-9 | 191.0E-9 | 67.7E-9  | 38.8E-9  | 23.8E-9  | 8.2E-9   | 6.9E-9   |
| <b>Resolution (bits):</b> | 9.4     | 10.7     | 11.6     | 12.3     | 13.8     | 14.6     | 15.3     | 16.8     | 17.1     |

### N6781A, N6782A and N6784A

|                           |          |          |          |          |          |          |          |           |           |
|---------------------------|----------|----------|----------|----------|----------|----------|----------|-----------|-----------|
| <b>NPLC @ 60 Hz:</b>      | 0.0003   | 0.003    | 0.006    | 0.010    | 0.031    | 0.06     | 0.1      | 0.6       | 1         |
| <b>Time:</b>              | 5.1E-6   | 51.2E-6  | 102.4E-6 | 169E-6   | 512E-6   | 998.4E-6 | 1.7E-3   | 10E-3     | 16.7E-3   |
| <b>Averaged points:</b>   | 1        | 10       | 20       | 33       | 100      | 195      | 325      | 1953      | 3255      |
| <b>20V range noise:</b>   | 2.3E-3   | 1.2E-3   | 993.7E-6 | 894.8E-6 | 533.4E-6 | 297.5E-6 | 276.6E-6 | 87.4E-6   | 69.6E-6   |
| <b>Resolution (bits):</b> | 13       | 14       | 14.2     | 14.4     | 15.1     | 16       | 16.1     | 17.7      | 18.1      |
| <b>1V range noise:</b>    | 186.6E-6 | 90.3E-6  | 57.0E-6  | 45.5E-6  | 26.7E-6  | 22.1E-6  | 19.8E-6  | 7.1E-6    | 4.8E-6    |
| <b>Resolution (bits):</b> | 12.3     | 13.4     | 14       | 14.4     | 15.1     | 15.4     | 15.6     | 17.1      | 17.6      |
| <b>100mV range noise:</b> | 38.9E-6  | 20.7E-6  | 12.5E-6  | 10.5E-6  | 5.9E-6   | 5.1E-6   | 5.0E-6   | 3.9E-6    | 3.4E-6    |
| <b>Resolution (bits):</b> | 11.3     | 12.2     | 12.9     | 13.2     | 14       | 14.2     | 14.2     | 14.6      | 14.8      |
| <b>3A range noise:</b>    | 480.3E-6 | 206.4E-6 | 159.7E-6 | 120.5E-6 | 71.0E-6  | 48.3E-6  | 41.4E-6  | 16.8E-6   | 18.5E-6   |
| <b>Resolution (bits):</b> | 12.6     | 13.8     | 14.2     | 14.6     | 15.3     | 15.9     | 16.1     | 17.4      | 17.2      |
| <b>100mA range noise:</b> | 14.1E-6  | 8.7E-6   | 6.4E-6   | 4.4E-6   | 2.5E-6   | 2.2E-6   | 1.5E-6   | 858.1E-9  | 573.3E-9  |
| <b>Resolution (bits):</b> | 12.8     | 13.4     | 13.9     | 14.4     | 15.2     | 15.4     | 16       | 16.8      | 17.4      |
| <b>1mA range noise:</b>   | 1.8E-6   | 798.7E-9 | 363.1E-9 | 248.5E-9 | 74.1E-9  | 44.8E-9  | 27.3E-9  | 8.5E-9    | 6.8E-9    |
| <b>Resolution (bits):</b> | 9.1      | 10.2     | 11.4     | 11.9     | 13.7     | 14.4     | 15.1     | 16.8      | 17.1      |
| <b>10UA range noise:</b>  | 15.9E-9  | 18.0E-9  | 20.3E-9  | 15.4E-9  | 11.0E-9  | 4.8E-9   | 3.3E-9   | 752.2E-12 | 456.3E-12 |
| <b>Resolution (bits):</b> | 9.2      | 9.1      | 8.9      | 9.3      | 9.8      | 11       | 11.5     | 13.7      | 14.4      |



# Chapter 6

## Keysight N6783A-BAT, N6783A-MFG

### Application-Specific Power Modules

|                                      |    |
|--------------------------------------|----|
| Performance Specifications .....     | 50 |
| Supplemental Characteristics.....    | 51 |
| Output Quadrant Characteristic ..... | 52 |

Unless otherwise noted, specifications are warranted over the ambient temperature range of 0 to 40°C after a 30-minute warm-up period. Specifications apply at the output terminals, with each module's sense terminals internally connected to its output terminals (local sensing).

Refer to the Keysight N6700 or N6705 Service Guide for the setup conditions for all performance specifications.

Supplemental characteristics are not warranted but are descriptions of performance determined either by design or by type testing. All supplemental characteristics are typical unless otherwise noted.

# Performance Specifications

|  | N6783A-BAT    | N6783A-MFG     |
|--|---------------|----------------|
| <b>DC Ratings:</b>   |               |                |
| Voltage  | 0 - 8 V       | 0 - 6 V        |
| Current <sup>NOTE 1</sup>  | - 2 to +3 A   | - 2; 0 to +3 A |
| Power  | 24 W          | 18 W           |
| Low current measurement range  | 150 mA        | 150 mA         |
| <b>Output Ripple and Noise (PAR):</b><br>(from 20 Hz - 20 MHz)   |               |                |
| CV peak-to-peak  | 8 mV          | 8 mV           |
| CV rms   | 1.5 mV        | 1.5 mV         |
| <b>Load Effect (Regulation):</b><br>(For any output load change, with a maximum load-lead drop of 0.5V/lead.<br>The load lead drop reduces the maximum available voltage at the load.) |               |                |
| Voltage  | 6 mV          | 6 mV           |
| Current  | 2 mA          | 2 mA           |
| <b>Source Effect (Regulation):</b>   |               |                |
| Voltage  | 2 mV          | 2 mV           |
| Current  | 1 mA          | 1 mA           |
| <b>Programming Accuracy:</b><br>(@ 23 °C ±5 °C after a 30 minute warm-up.<br>Applies from minimum to maximum programming range at any load.)   |               |                |
| Voltage  | 0.1% + 10 mV  | 0.1% + 10 mV   |
| Positive Current   | 0.1% + 1.8 mA | 0.1% + 1.8 mA  |
| Negative Current @ -2 A  | 0.2% + 1.8 mA | N/A            |
| <b>Measurement Accuracy:</b><br>(@ 23 °C ±5 °C.<br>Applies when measuring the default value of 1024 data points with a 20.48 μs time interval.)  |               |                |
| Voltage  | 0.05% + 5 mV  | 0.05% + 5 mV   |
| Current high range   | 0.1% + 600 μA | 0.1% + 600 μA  |
| Current low range  | 0.1% + 75 μA  | 0.1% + 75 μA   |
| <b>Load Transient Recovery</b><br>(Time to recover to within settling band for a load change from 0.15 A to 1.5 A and from 1.5 A to 0.15 A at 6 V output)                              |               |                |
| Voltage settling band <sup>NOTE 2</sup>  | ± 75 mV       | ± 75 mV        |
| Time <sup>NOTE 2</sup>   | < 45 μs       | < 45 μs        |

<sup>1</sup> Output current is derated 1% per °C above 40°C.

<sup>2</sup> When relay Option 761 is installed, the settling band is ± 90 mV. The time is < 75 μs.

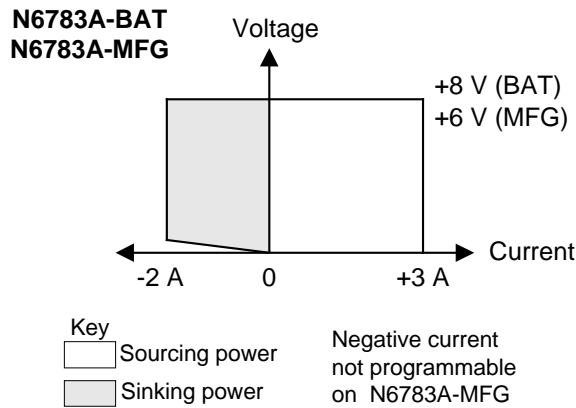
## Supplemental Characteristics

|   | N6783A-BAT           | N6783A-MFG           |
|---|----------------------|----------------------|
| <b>Programming Ranges:</b>  |                      |                      |
| Voltage   | 15 mV to 8.16 V      | 15 mV to 6.12 V      |
| Positive Current  | 5 mA to 3.06 A       | 5 mA to 3.06 A       |
| Negative Current  | - 5 mA to - 2 A      | Fixed at - 2 A       |
| <b>Programming Resolution:</b>  |                      |                      |
| Voltage   | 2.5 mV               | 2.5 mV               |
| Positive Current  | 1 mA                 | 1 mA                 |
| Negative Current  | 10 mA                | N/A                  |
| <b>Measurement Resolution:</b>  |                      |                      |
| Voltage   | 300 $\mu$ V          | 300 $\mu$ V          |
| Current high range  | 100 $\mu$ A          | 100 $\mu$ A          |
| Current low range ( $\leq$ 0.150 A)   | 5 $\mu$ A            | 5 $\mu$ A            |
| <b>Programming Temperature Coefficient per <math>^{\circ}</math>C:</b>  |                      |                      |
| Voltage   | 25 ppm + 50 $\mu$ V  | 25 ppm + 50 $\mu$ V  |
| Current   | 25 ppm + 10 $\mu$ A  | 25 ppm + 10 $\mu$ A  |
| <b>Measurement Temperature Coefficient per <math>^{\circ}</math>C:</b>  |                      |                      |
| Voltage   | 25 ppm + 40 $\mu$ V  | 25 ppm + 40 $\mu$ V  |
| Current high range  | 25 ppm + 2.5 $\mu$ A | 25 ppm + 2.5 $\mu$ A |
| Current low range ( $\leq$ 0.150 A)   | 25 ppm + 1.5 $\mu$ A | 25 ppm + 1.5 $\mu$ A |
| <b>Maximum Up-Programming and Down-Programming Time with Full Resistive Load</b><br>(Time from 10% to 90% of total voltage excursion)   |                      |                      |
| Voltage Settling from 0V to Full Scale  | 4.0 ms               | 4.0 ms               |
| Voltage Settling from Full Scale to 0V  | 4.0 ms               | 4.0 ms               |
| <b>Maximum Up-Programming and Down-Programming Settling Time with Full Resistive Load</b><br>(Time from start of voltage change until voltage settles within 0.1% of the full-scale voltage of its final value) |                      |                      |
| Voltage Settling from 0V to Full Scale  | 20 ms                | 20 ms                |
| Voltage Settling from Full Scale to 0V  | 20 ms                | 20 ms                |
| <b>Over-voltage Protection:</b>   |                      |                      |
| Accuracy without disconnect relays  | 0.25% + 75 mV        | 0.25% + 75 mV        |
| Accuracy with disconnect relays   | 0.25% + 275 mV       | 0.25% + 275 mV       |
| Nominal range   | 0 – 10 V             | 0 – 10 V             |
| Programmable delay time   | 60 $\mu$ s – 5 ms    | 60 $\mu$ s – 5 ms    |
| <b>Over-Current Protection:</b>   |                      |                      |
| Programmable delay time   | 0 – 255 ms           | 0 – 255 ms           |
| Nominal Range   | 5 mA – 3.06 A        | 5 mA – 3.06 A        |
| <b>Output Ripple and Noise: (PARD)</b>  |                      |                      |
| CC rms:   | 4 mA                 | 4 mA                 |
| <b>Common Mode Noise:</b><br>(From 20 Hz – 20 MHz; from either output to chassis)   |                      |                      |
| Rms   | 1 mA                 | 1 mA                 |
| Peak-to-peak  | 6 mA                 | 6 mA                 |
| <b>Remote Sense Capability:</b>   |                      |                      |
| Outputs can maintain DC specifications with up to a 0.5-volt drop per load lead.<br>Maximum sense lead resistance is limited to 300m $\Omega$ /lead.  |                      |                      |

## Supplemental Characteristics (continued)

|  | N6783A-BAT   | N6783A-MFG |
|--|--|------------|
| <b>Series and Parallel Operation:</b>  | Identically rated outputs <b>can</b> be operated directly in parallel. N6783A modules <b>cannot</b> be used in series with other N6783A modules or any other N67xx module. |            |
| <b>Down-programming Capability:</b><br>(Current down-programming capability is reduced at output voltages below 0.5 V) |  |            |
| Continuous power   | 12 W   | 12 W       |
| Continuous current   | 2 A  | 2 A        |

### Output Quadrant Characteristic



# Chapter 7

## Keysight N6700 Modular Power System Mainframes

|                                   |    |
|-----------------------------------|----|
| Supplemental Characteristics..... | 54 |
| Outline Diagrams.....             | 56 |

Supplemental characteristics are not warranted but are descriptions of performance determined either by design or by type testing. All supplemental characteristics are typical unless otherwise noted.

### NOTE

Refer to the following documents for information about using and servicing the Keysight N6700 Modular Power System Mainframes

*Keysight Model N6705 DC Power Analyzer User's Guide*

Go to <http://literature.cdn.keysight.com/litweb/pdf/N6705-90001.pdf>.

*Keysight Model N6705 DC Power Analyzer Service Guide*

Go to <http://literature.cdn.keysight.com/litweb/pdf/N6705-90010.pdf>.

*Keysight Series N6700 Low-Profile Modular Power System User's Guide*

Go to <http://literature.cdn.keysight.com/litweb/pdf/5969-2937.pdf>.

*Keysight Series N6700 Low-Profile Modular Power System Service Guide*

Go to <http://literature.cdn.keysight.com/litweb/pdf/5969-2938.pdf>.

---

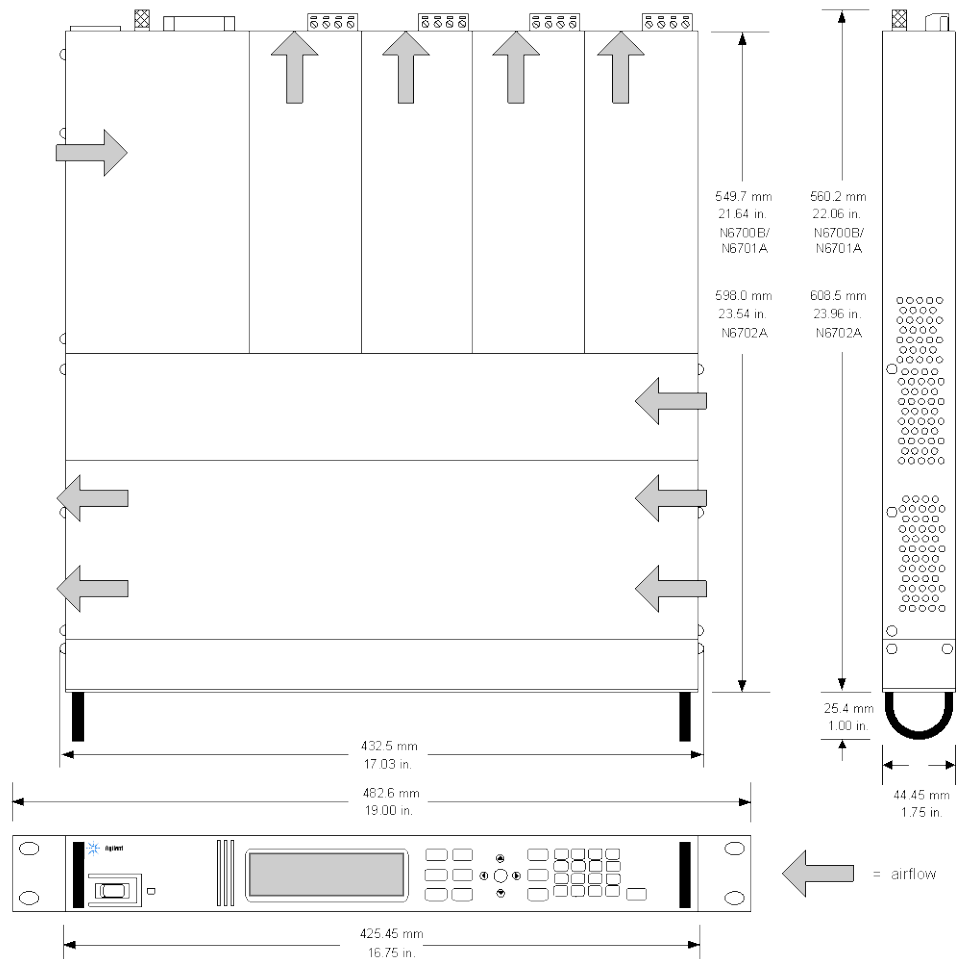
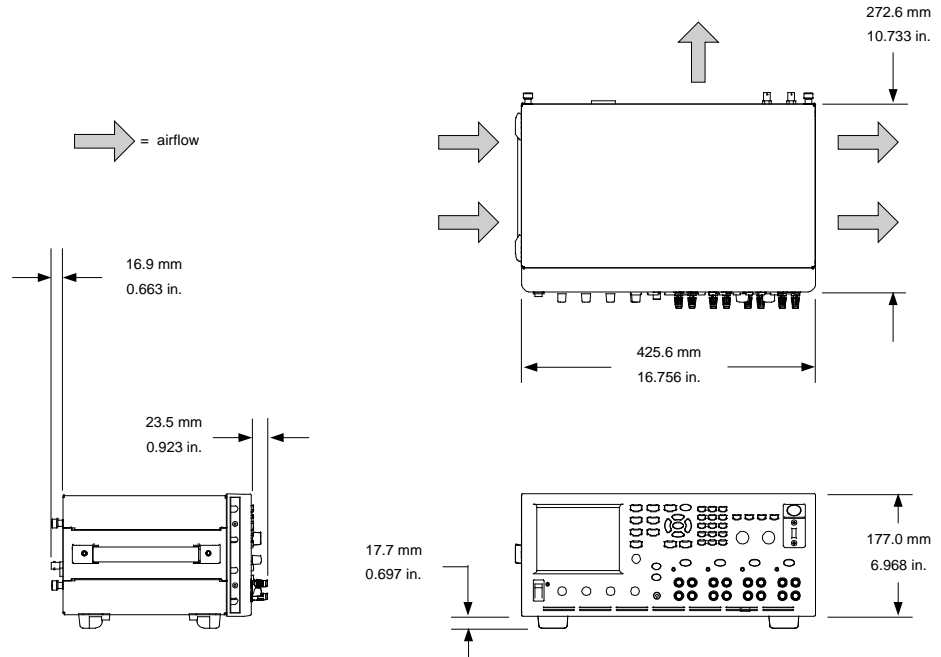
## Supplemental Characteristics

|  | N6700B, N6701A, N6702A   | N6705A, N6705B                                     |
|--|--|--|
| <b>Maximum Power Available for Modules:</b>  |  |  |
| Values represent combined power rating of all modules installed per mainframe.     | 400 W (for N6700B mainframes)<br>600 W (for N6701A mainframes)<br>1200 W (for N6702A mainframes)   | 600 W  |
| <b>Front Panel Output Terminals:</b>   |  |  |
| Maximum current rating   | N/A  | 20 A   |
| <b>BNC Trigger Connectors:</b>   |  |  |
| I/O  | N/A  | Digital TTL level compatible                       |
| Maximum voltage  | N/A  | 5 V  |
| <b>USB Current Ratings:</b>  |  |  |
| Front panel USB connector  | N/A  | 200 mA   |
| Rear panel USB connector   | N/A  | 300 mA   |
| <b>Data Storage:</b>   |  |  |
| Internal flash memory  | 8 Mbyte  | 4 Gbyte<br>(Earlier N6705 models have less memory) |
| <b>Protection Response Characteristic:</b>   |  |  |
| INH input  | 5 $\mu$ s from receipt of inhibit to start of shutdown   |  |
| Fault on coupled outputs   | < 10 $\mu$ s from receipt of fault to start of shutdown  |  |
| <b>Command Processing Time:</b>  |  |  |
|  | $\leq$ 1 ms from receipt of command to start of output change  |  |
| <b>Digital Port Characteristics:</b>   |  |  |
| Maximum voltage ratings  | +16.5 VDC/- 5 VDC between pins<br>(pin 8 is internally connected to chassis ground).   |  |
| Pins 1 and 2 as FLT output   | Maximum low-level output voltage = 0.5 V @ 4 mA<br>Maximum low-level sink current = 4 mA<br>Typical high-level leakage current = 1 mA @ 16.5 VDC   |  |
| Pins 1 - 7 as digital/trigger outputs<br>(pin 8 = common)                          | Maximum low-level output voltage = 0.5 V @ 4 mA;<br>1 V @ 50 mA; 1.75 V @ 100 mA<br>Maximum low-level sink current = 100 mA<br>Typical high-level leakage current = 0.8 mA @ 16.5 VDC                          |  |
| Pins 1 - 7 as digital/trigger inputs<br>and pin 3 as INH input<br>(pin 8 = common) | Maximum low-level input voltage = 0.8 V<br>Minimum high-level input voltage = 2 V<br>Typical low-level current = 2 mA @ 0 V (internal 2.2k pull-up)<br>Typical high-level leakage current = 0.12 mA @ 16.5 VDC |  |
| <b>Interface Capabilities:</b>   |  |  |
| GPIB   | SCPI - 1993, IEEE 488.2 compliant interface  |  |
| LXI Compliance   | Class C (only applies to units with LXI label on front panel)  |  |
| USB 2.0  | Requires Keysight IO Library version M.01.01 or 14.0 and up  |  |
| 10/100 LAN   | Requires Keysight IO Library version L.01.01 or 14.0 and up  |  |
| Built-in Web server  | Requires Internet Explorer 7+ or Firefox 2+  |  |

## Supplemental Characteristics (continued)

|  | N6700B, N6701A, N6702A  | N6705A, N6705B                           |
|--|---|--|
| <b>Regulatory Compliance:</b>  |   |  |
| EMC  | Complies with European EMC Directive for test and measurement products. <ul style="list-style-type: none"> <li>● IEC/EN 61326-1</li> <li>● CISPR 11, Group 1, class A</li> <li>● AS/NZS CISPR 11</li> <li>● ICES/NMB-001</li> </ul> Complies with Australian standard and carries C-Tick mark.<br>This ISM device complies with Canadian ICES-001.<br>Cet appareil ISM est conforme à la norme NMB-001 du Canada. |  |
| Safety   | Complies with European Low Voltage Directive and carries the CE-marking.<br>Conforms to UL 61010-1 and CSA C22.2 61010-1.   |  |
| <b>Environmental Conditions</b>  |   |  |
| Operating environment  | Indoor use, installation category II (for AC input), pollution degree 2   |  |
| Temperature range  | 0°C to 55°C (output current is derated 1% per °C above 40°C ambient temperature)  |  |
| Relative humidity  | Up to 95%   |  |
| Altitude   | Up to 2000 meters   |  |
| Storage temperature  | -30°C to 70°C   |  |
| <b>Acoustic Noise Declaration:</b>   |   |  |
| This statement is provided to comply with the requirements of the German Sound Emission Directive, from 18 January 1991. | Sound Pressure Lp <70 dB(A), At Operator Position, Normal Operation, According to EN 27779 (Type Test).<br>Schalldruckpegel Lp <70 dB(A), Am Arbeitsplatz, Normaler Betrieb, Nach EN 27779 (Typprüfung).  |  |
| <b>Output Terminal Isolation:</b>  |   |  |
| Maximum rating   | No output terminal may be more than ±240 VDC from any other terminal or chassis ground.   |  |
| <b>N6781A Note</b>   | When using the AUX measurement input terminals on Model N6781A, no output or input terminal may be more than ±60 VDC from any other terminal and chassis ground.  |  |
| <b>AC Input:</b>   |   |  |
| Input Ratings  | ~ 100 VAC – 240 VAC; 50/60/400Hz  | ~ 100 VAC – 240 VAC; 50/60/400Hz         |
| Power Consumption  | 1000 VA (N6700B)<br>1440 VA (N6701A)<br>1440 VA (N6702A @ < 180 VAC input)<br>2200 VA (N6702A @ > 180 VAC input)  | 1440 VA                                  |
| Power Factor   | 0.99 @ nominal input and rated power  | 0.99 @ nominal input and rated power     |
| Fuse   | Internal fuse - not customer accessible.  | Internal fuse - not customer accessible. |
| <b>N6702A Note</b>   | AC mains circuits rated at 100-180 VAC <b>cannot</b> supply enough current to power the N6702A mainframe when operated at its full rated power. When connected to a 100-180 VAC mains, internal circuits will limit the power to modules to 600 W maximum.  |  |
| <b>Net Weight: (typical)</b>   |   |  |
| Mainframe with 4 modules   | N6700B 12.73 kg / 28 lbs<br>N6701A 11.82 kg / 26 lbs<br>N6702A 14.09 kg / 31 lbs  | 16 kg / 35 lbs                           |
| Single-wide power module   | 1.23 kg / 2.71 lbs  | 1.23 kg / 2.71 lbs                       |
| <b>Dimensions:</b>   |   |  |
| Refer to the outline diagrams on the following page.   |   |  |

# Outline Diagrams



**N6731B-N6786A DC Power Modules**  
**N6700B-N6705B Mainframes**  
**Specifications Guide**





This information is subject to change without notice.  
© Keysight Technologies 2010 - 2015  
Edition 8, January 2015  
N6700-90001  
[www.keysight.com](http://www.keysight.com)